

999405

2062 PRX 800/900

# GAL-RAD SAGITTA

DESCRIPTION	COLOR	LENGTH	LEV: WIRE	WIRES END
40.75	YELLOW/GREEN	320+30		RING TERMINAL #25mm
40.50	WHITE, RED, BLUE, BLACK, BROWN, ORANGE.	300+50		CONNECTOR: IST-WP-PH WIRES ENDS: SWHATT 1,1
61mm PVC SLEEVE 105C	BROWN, ORANGE.	230+50		FASTON 250FEN. COVER
	BLACK	220+10		
		190+10		ON WIRES BROWN & ORANGE

COLOR: BLACK

TYPE 412062 PRX800/900 GLRS  
 CAT. No. 435566 CL: 18 TH: PR  
 230V 50HZ 0.6A HP: 1/10  
 RM: 1200/1050/900 4uF/400V DATE

LEV: LABEL

NO LOAD TEST DATA:  
 C1 = 4 uF I<sub>hi</sub> = 0.32 A  
 I<sub>me</sub> = 0.24 A  
 I<sub>lo</sub> = 0.18 A

Resistance (Ohm) on 20°C:

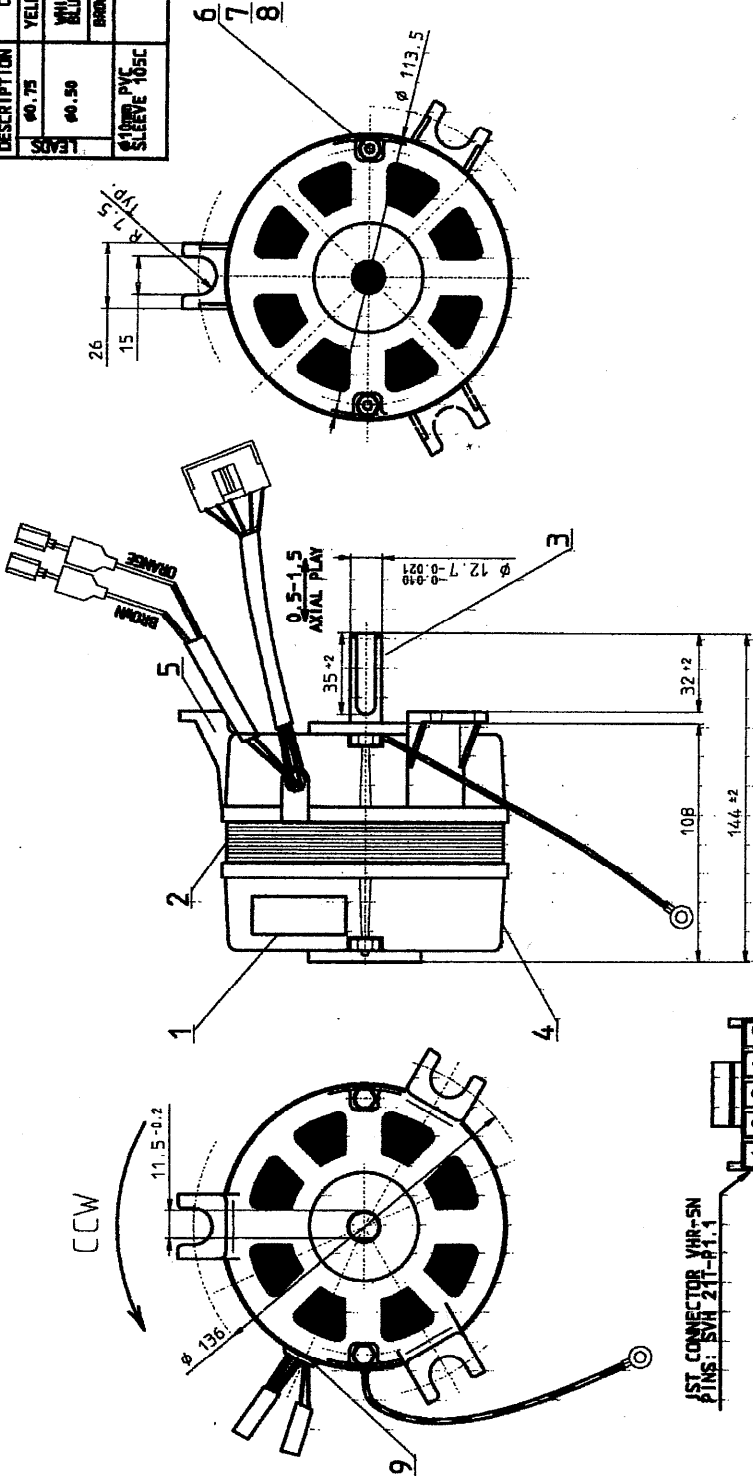
WHITE 90	BLACK 91	BROWN
BLUE 30	BLACK	
RED 57	BLACK	

Induction (mHn)

WHITE	BLACK	BROWN
BLUE	BLACK	
RED	BLACK	

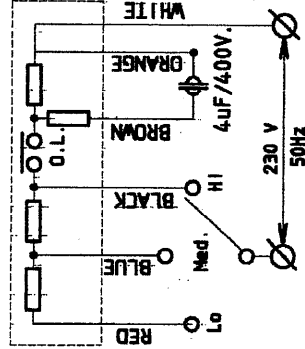
If not otherwise specified  
 all dimensions in mm.

DRWG. 3781	Motor assembly - PRX 800, 900
Drawn Est. 2709.00	Cat. No: 1312062
Approved <b>MIKE</b>	Motor type 4102062 Stack 35
Scale 1:2	Customer ELECTRA Cat. No: 435566
Gen. Tolerance ±1.0	File # - GRV410-2062/VASSY VI: 2602
LEV: FRONT	PRINT: 09.11.00



25.5.01  
 MIKE

LEV: SCHEME



OLD: 33-082-2

LEV: SPES IF	QTY	DESCRIPTION	REF
1	1	FOR COVER 110, 136	1591003
2	1	101x8/32 BOLT	1585101
2	1	FOR BOLT 8/32	1585002
2	1	NUT 8/32	1585001
1	1	110 OPEN, 3ARMS	1533791
1	1	110 OPEN	1533313
1	1	PRX 800/900	1522062
1	1	PRX 800/900	1512062
1	1	PRX 800/900	1322062
BITING	1	8" DIA 1100	8" DIA