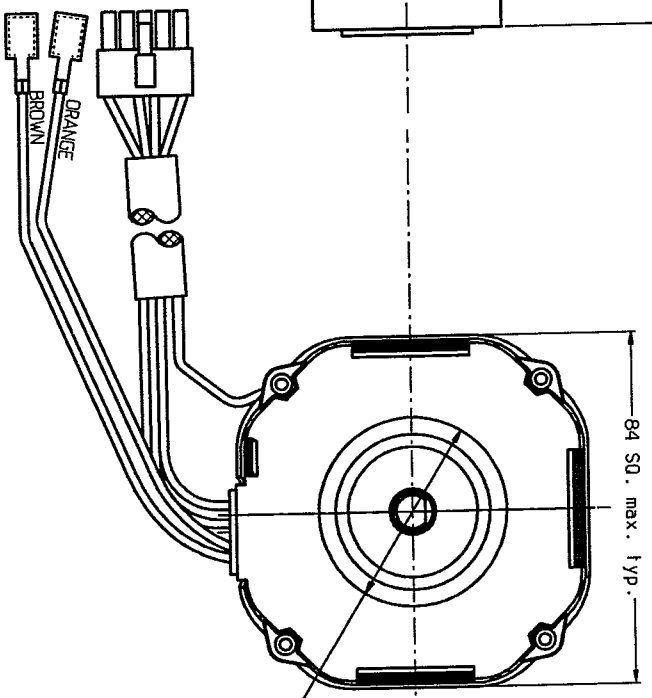
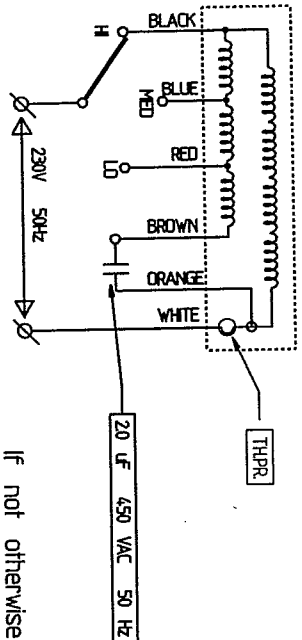
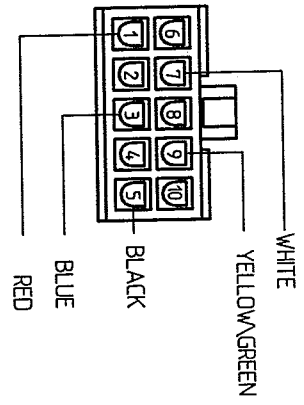


CCW



WIRE CATNo:	613131	LENAIRE
DESCRIPTION	WHITE BLACK, BLUE RED, YELLOW/GREEN	WIRE END
	265+15	MOLEX MINI FIT JBS57
	ORANGE BROWN	FASTON 250 FEMALE WITH PLASTIC COVER
	BLACK	
STEEL Pkt. 2mm DEQUAL. 03	240-10	

TYPE 4723131 TNL-S-33 THPR DYNAR  
 W0Z1 CAP 20UF 450V  
 230/50V-THP-037A CLB  
 RPM1340/150/880  
 DATE



If not otherwise specified, all dimension in mm

<b>DRWG2859</b>		<b>Motor assembly - TNL-S-35</b>	
Drawn	MR	110301	Cal/No:
Approved			Motor type
Scale	1/2		4723131
Gen. tolerance	±10		Customer
File	E:\TNL-S-35\ASSY	VR	3131
		Lev:	
		Part:	310501