

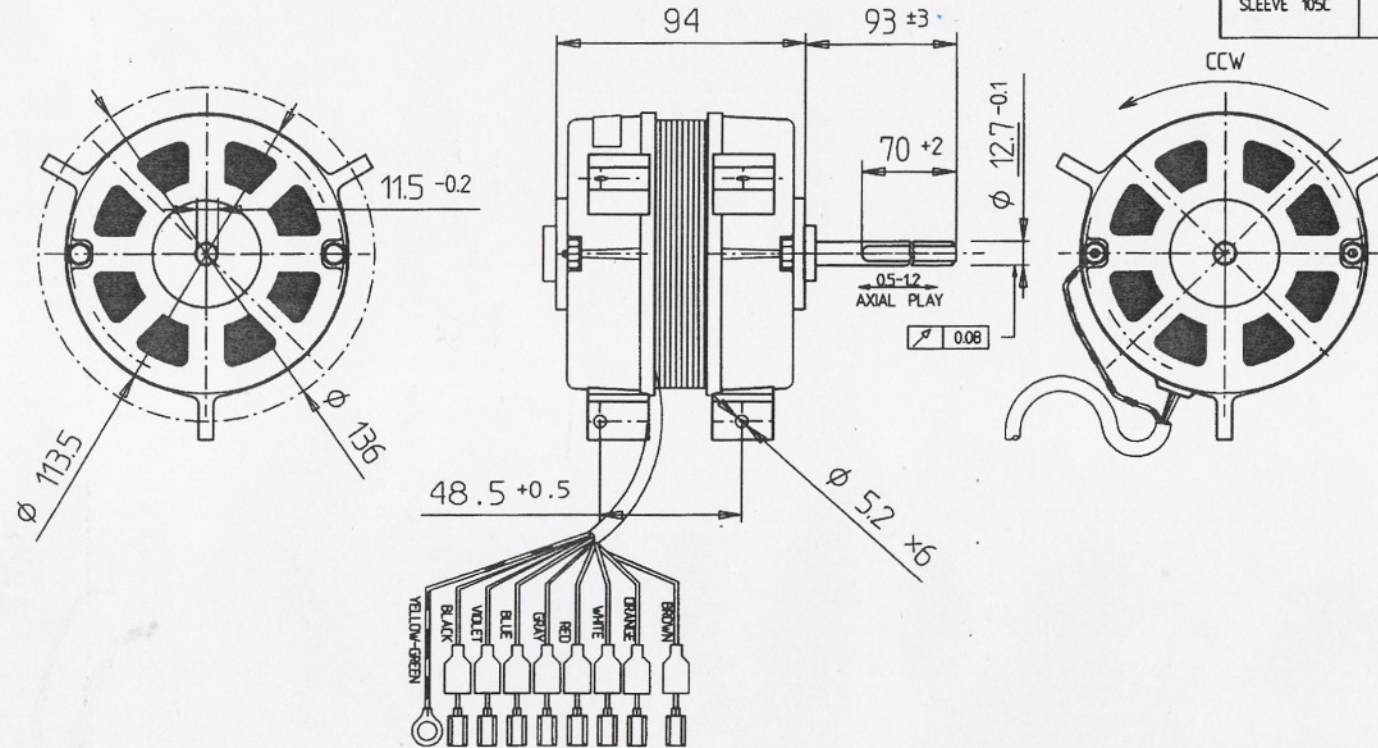
999511

2664 AWL 600 CCW

SAGITTA

If not otherwise specified
all dimensions in mm.

WIRES CATNo: 1612664		LEV. WIRE	
DESCRIPTION	COLOR	LENGTH	WIRES END
LEADS AWG 20	YELLOW/GREEN	2000+50	RING TERMINAL Ø5
AWG 20	WHITE, RED, VIOLET BLUE, BLACK, GRAY BROWN, ORANGE.	2000+100	FASTON 250FEM. +COVER
Ø12-14mm PVC SLEEVE 105C	BLACK	1850+50	



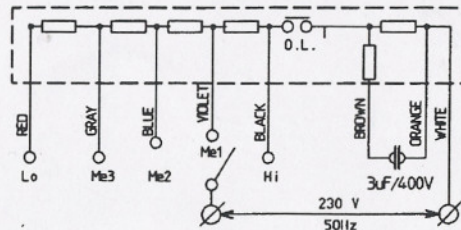
print color: black

TYPE 6102664 AWL-600 CCW SAGITTA
 CLB THPR. 3.0uF/400V
 5 SPEED 1PH 230V 50Hz
 CAT. No. 200040 DATE

NO LOAD TEST DATA:
 C1= 3uF I_{hi} = A
 I_{me} = A
 I_{lo} = A

Resistance (Ohm) on 20°C:

WHITE	BLACK	BROWN
	VIOLET	
	BLUE	
	GRAY	
	RED	



DRWG. No: 4925		Motor assembly - AWL-600 CCW	
Drawn	EL*	07.04.04	Cat.No: 1312664
Approved	H/ICE 26.12.04		Motor type 6102664 Stack 20
Scale	1:2		Customer ALAM Cat.No: 200040
Gen. tolerance	±1.0		File: E-GR610-2664/VASSY Vt: 2664 PRINT: 24.12.04