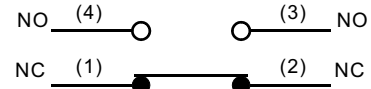


SPECIFICATIONS

- Built-in basic switch with double spring mechanism
- Long life (10,000,000 mechanical operations)
- Material: glass reinforced plastic.
- Dust proof and drip-proof construction
- Smooth operation with greater OT
- Easy-to-wire conduit opening design



CONTACT CONFIGURATION



CHARACTERISTICS

Operating speed	0.5mm to 50cm/s
Operating frequency	Mechanically : 120 operations/min. electrically : 30 operations/min.
Contact resistance	25m max. (initial)
Insulation resistance	100M max. (at 500 VDC)
Dielectric strength	1,000VAC, 50/60Hz, for 1minute between non-continuous terminals 1,500VAC, 50/60Hz, for 1minute between current-carrying and non- current-carrying parts and between each terminal and ground
Vibration	Mechanical durability: 10 to 55HZ, 1.5mm double amplitude
Shock	Mechanical durability: 1,000m/S ² (approx. 100G's) malfunction: 300m/S ² (approx. 30G's)
Ambient temperature	Operating: -5 to +65°C
Humidity	95%RH max.
Service life	Mechanically: 10,000,000 operations min. (At rated to value) Electrically: 500,000 operations min
weight	Approx. 70g to 110g
Degree of protection	IEC : IP65

SPECIFICATIONS

RATINGS

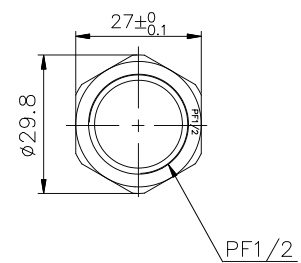
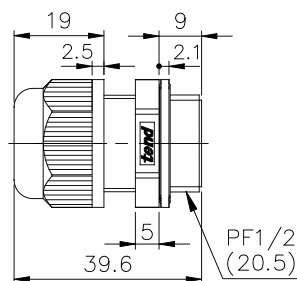
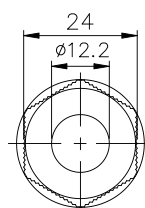
Rated Voltage (V)	Non-inductive load(A)				Inductive load(A)			
	Resistive load		Lamp load		Inductive load		Motor load	
	NC	NO	NC	NO	NC	NO	NC	NO
125VAC	5	5	1.5	0.7	3	3	2	1
250VAC	5	5	1	0.5	3	3	1.5	0.8
8 VDC	5	5	3	3	5	4	3	3
14 VDC	5	5	3	3	4	4	3	3
30 VDC	5	5	3	3	4	4	3	3
125 VDC	0.4	0.4						
250 VDC	0.2	0.2						
Inrush current	N.C.:24A max. N.O.:12Amax							

- NOTES: 1. inductive load has a power factor of 0.4 min. (AC) and a time constant of 7 msec. Max. (DC)
2. lamp load has an inrush current of 10 times the steady-state current, while motor load an inrush current of 6 times the steady-state current.

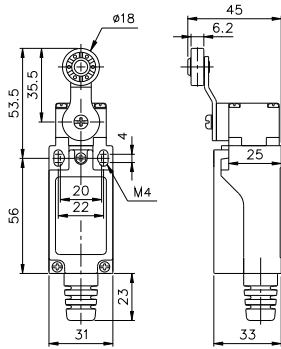
OPERATION CHARACTERISTICS

Type	TZ-9104	TZ-9108	TZ-9107	TZ-9111	TZ-9112 TZ-9122	TZ-9124	TZ-9166 TZ-9167 TZ-9169
	TZ-9204	TZ-9208	TZ-9207	TZ-9211	TZ-9212 TZ-9222	TZ-9224	TZ-9266 TZ-9267 TZ-9269
OF max.	500g	450g	450g	700g	700g	450g	150g
RF min.	50g	40g	40g	150g	150g	80g	—
PT max.	18°~28°	18°~28°	18°~28°	2mm	2mm	4mm	30mm
OT min.	30°	30°	30°	4mm	4mm	5mm	—
MD max.	14°	14°	14°	0.8mm	0.8mm	1.6mm	—
OP	—	—	—	18±0.5mm	28.2±0.8mm	37±0.8mm	—

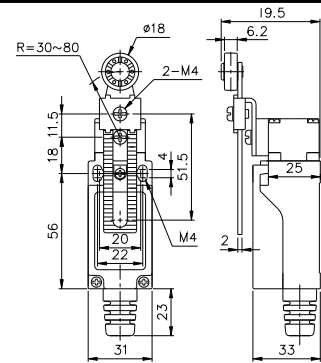
TZ-92 SERIES CABLE GLAND Diameter of cables: Ø6~12mm HPF12



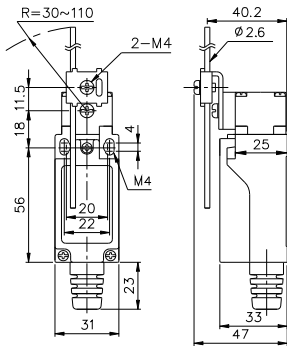
TZ-9104



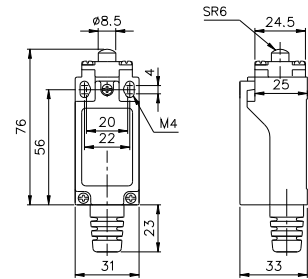
TZ-9108



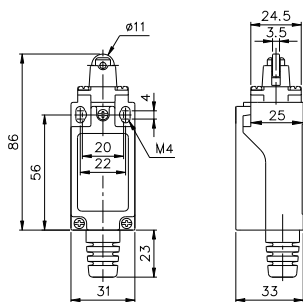
TZ-9107



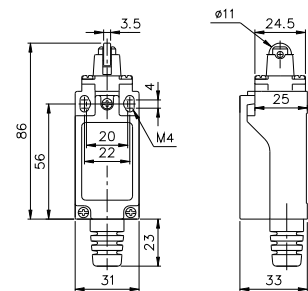
TZ-9111



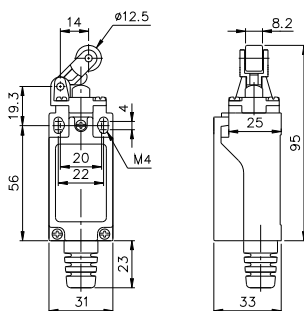
TZ-9112



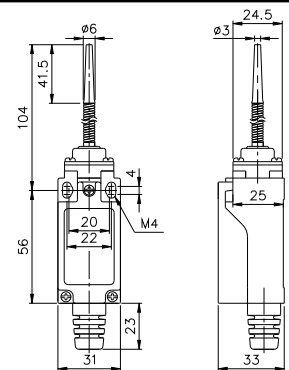
TZ-9122



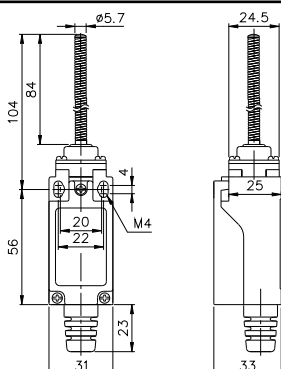
TZ-9124



TZ-9166



TZ-9167



TZ-9169

