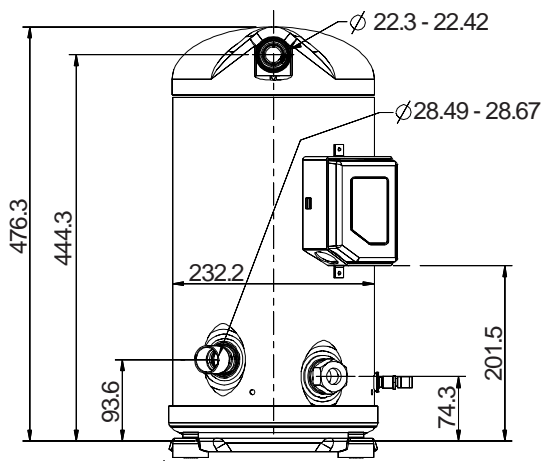
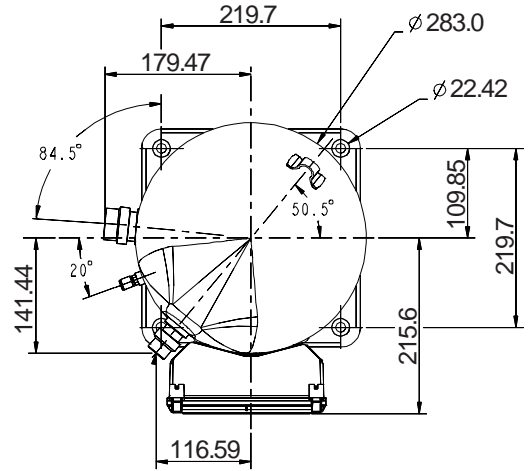
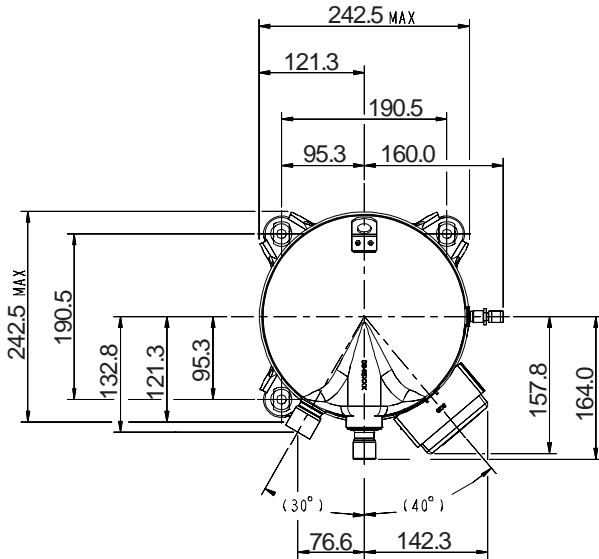
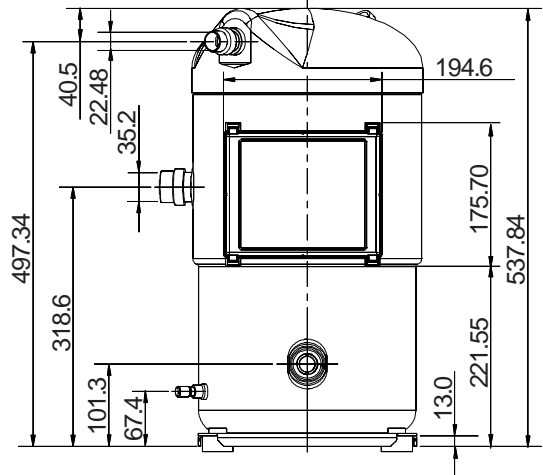


5 Drawings

The following drawings show the position of the suction and discharge plugs as well as the sight glass, the Schrader valve and the terminal box.



ZR94K*



ZR90K*