

Movement by Perfection



The Royal League in **ventilation**, control and drive technology



产品资料

类型

FB056-4EK.4I.V4L

产品编号

138574

The Royal League

Die Königsklasse

项目

类型

FB056-4EK.4I.V4L

产品编号

138574



目录

1.	产品说明 - 技术数据	3
2.	Characteristic Curve	4
3.	图纸	5
4.	安装接线图	6
5.	EU-Declaration of conformity	7

产品编号
138574

The Royal League

Die Königsklasse

1. 产品说明- 技术数据

产品编号	138574
类型	FB056-4EK.4I.V4L
名称	Axial fan with sheet blades
测量数据	1~230V ±10% 50Hz P ₁ 0.70kW 3.2A ΔI=0% 1280/min 16.0uF/400V 55°C Only with short bell mouth
电气接口	Terminal box K62
ERP数据	Efficiency η_{statA} : 33.1 % Efficiency grade: N _{actual} = 40.5 / N _{target} = 40* *ErP 2015
防护等级	IP54
耐热等级	THCL155
接线盒安装方式	Mounted on Stator
Min. operating temperature	-25°C
接线图	1360-104XA
铭牌	1x fixed
安装位置	H/Vu/Vo
电机防护	thermal contact
浸渍	Moisture and hot climate protection
Condensation	Condensation water holes in stator/rotor open
轴承质量	ball bearing with long-time lubrication
转子材料	Aluminium
转子喷漆	unpainted
叶片材料	Aluminium
叶片喷漆	unpainted
防护网罩类型	ring grill
其它	All connecting elements in stainless steel.
马达支架喷漆	Motor suspension powder-coated consistency class 2
colour suspension	RAL 9005 (jet black)
Weight	12.20kg

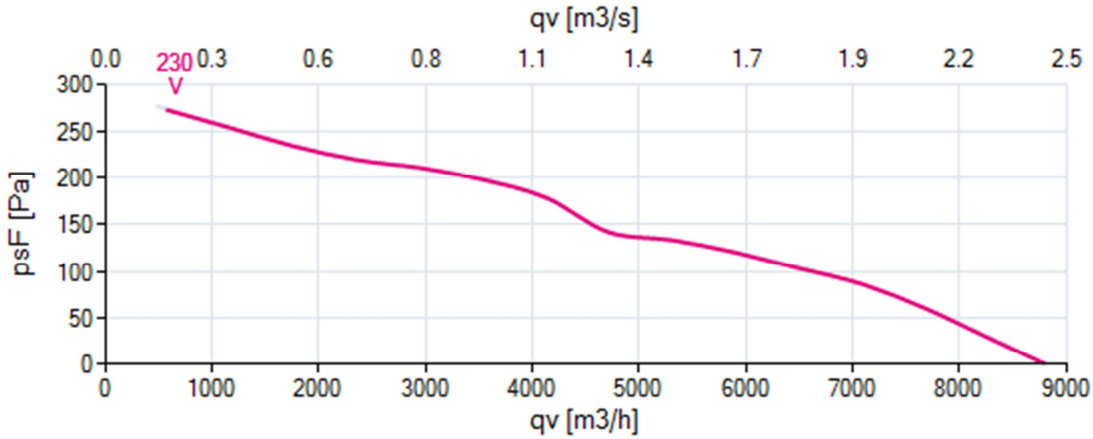
2. Characteristic Curve

FB056-4EK.4I.V4L

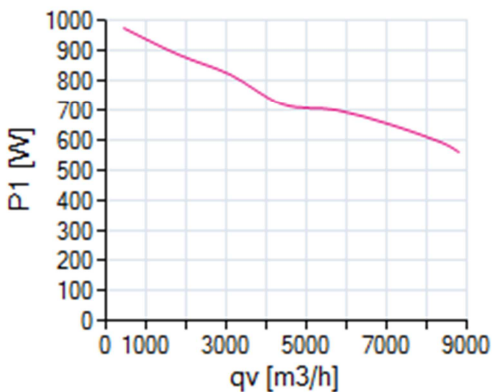
1~ 230V 50Hz

测量密度 1,16 kg/m³

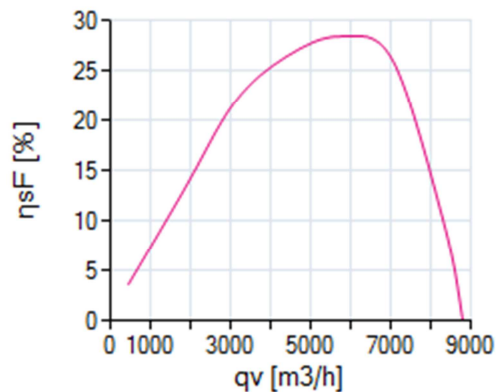
Air performance



Power input



Efficiency



Please note: It's not allowed to use this fan in the stall area!*

*In doubt please ask your responsible ZIEHL-ABEGG sales contact.

Data of operating point

frequency (f _{BP})	50	Hz
mains supply	1~ 230V 50Hz	
ErP-conformity	2015	
guard grille	no	

产品编号
138574

The Royal League Die Königsklasse

3. 图纸

The reproduction, distribution and utilization of this document as well as the construction of its contents by others without explicit authorization is prohibited. Otherwise, all rights reserved in the event of a patent, utility model or design.

Förderrichtung V
Airflow direction V

A-A
1:2

Motor: 106
Kundenzzeichnung
customer drawing
FB056--K.4.V4--
Zeichnungsnummer
drawing number
12056-K403

Zeichnungsnummer drawing number	BENENNUNG title	size	B1	B2	B3	B5	W	MASSE [kg]
12056-K403.1	FB056--K.4F.V4L	106-50	141.3	205.3	4.1.5	66.3	25°	10.4
12056-K403.2	FB056--K.4F.V4P	106-50	141.3	205.3	47.5	66.3	30°	10.4
12056-K403.3	FB056--K.4F.V4S	106-50	141.3	205.3	52.5	66.3	35°	10.4
12056-K403.4	FB056--K.4.V4L	106-70	161.3	225.3	4.1.5	88.3	25°	12.2
12056-K403.5	FB056--K.4.V4P	106-70	161.3	225.3	47.5	88.3	30°	12.2
12056-K403.6	FB056--K.4.V4S	106-70	161.3	225.3	52.5	88.3	35°	12.2

Modelldarstellung 12056-K403.4
Modell-Illustration 12056-K403.4

Kritische Maße sind durch gestrichelte Linien und Pfeile, sowie nicht durch gestrichelte Linien und Pfeile, hervorgehoben. Die Maße sind in mm angegeben. Alle Maße sind in mm angegeben. Die Maße sind in mm angegeben. Die Maße sind in mm angegeben.

尺寸(mm)
所示附图是为了表明风扇的尺寸。

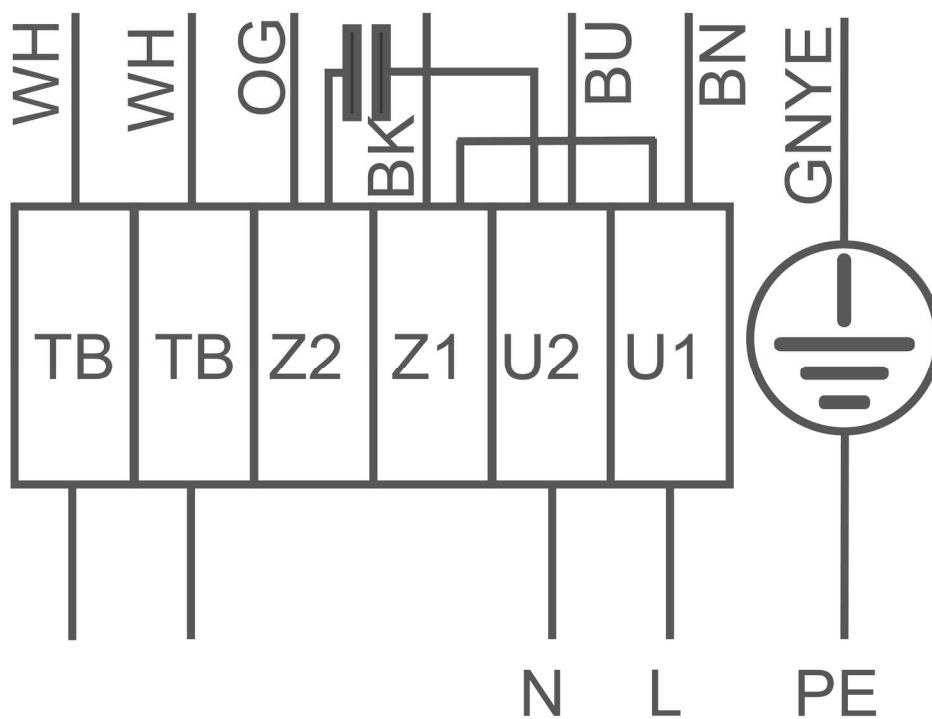
4. 安装接线图

1360-104XA

1~Motor with capacitor and thermostatic switch (if built in).

- BN brown
- BU blue
- BK black
- OG orange
- WH white
- GNYE green-yellow

Clockwise rotation



5. EU-Declaration of conformity

EU declaration of conformity

- Translation -
(english)

ZA75-GB 1910 Index 015

Manufacturer: ZIEHL-ABEGG SE
Heinz-Ziehl-Straße
74653 Künzelsau
Germany

The manufacturer is solely responsible for issuance of the declaration of conformity.

The products:

- External rotor motor MK..., MW..
- Axial fan DN..., FA..., FB..., FC..., FE..., FF..., FG..., FH..., FL..., FN..., FS..., FT..., FV..., VN..., VR..., ZC..., ZF..., ZG..., ZN..
- Centrifugal fan ER..., GR..., RA..., RD..., RE..., RF..., RG..., RH..., RK..., RM..., RR..., RZ..., WR..
- Cross-flow fan QG..., QK..., QR..., QT..

The motor type:

- Asynchronous internal or external rotor motor
- Asynchronous internal or external rotor motor with integrated frequency inverter
- Electronically commutated internal or external rotor motor
- Electronically commutated internal or external rotor motor with integrated EC controller

These products comply with the following EU directives:

- EMC Directive 2014/30/EU
- Low Voltage Directive 2014/35/EU
- ErP Directive 2009/125/EC, in conjunction with Regulation (EU) no. 327/2011

The following harmonised standards have been used:

EN 60034-1:2010 + Cor.:2010 EN 61000-6-3:2007 + A1:2011 + AC:2012
EN 60204-1:2006 + A1:2009 + AC:2010 EN 61000-6-2:2005 + AC:2005
EN 60529:1991 + A1:2000 + A2:2013

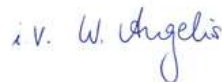
Compliance with the ErP Directive 2009/125/EC does not refer to external rotor motors MK..., MW..

All ErP-relevant information comprises measurements which are determined using a standardised measurement set-up. More details can be obtained from the manufacturer.

Compliance with the EMC Directive 2014/30/EU refers only to those products when they are connected by mounting / operating instructions. If these products are integrated into a system or supplemented with other components (e.g. sensing controls) and operated, the manufacturer or operator is responsible of the overall system for compliance with the EMC Directive 2014/30/EU.

Künzelsau, 05.03.2019
(location, date of issue)

ZIEHL-ABEGG SE
Dr. W. Angelis
Technical Director Air Movement Division
(name, function)



(Signature)

ZIEHL-ABEGG SE
Dr. D. Kappel
Deputy Head of Electrical Systems
(name, function)



(Signature)

ZIEHL-ABEGG 

EC Declaration of Incorporation

as defined by the EC Machinery Directive 2006/42/EC, Annex II B

The design of the incomplete machine:

- Axial fan FA..., FB..., FC..., FE..., FF..., FG..., FS..., FT..., FH..., FL..., FN..., FV..., DN..., VR..., VN..., ZC..., ZF..., ZG..., ZN...
- Centrifugal fan RA..., RD..., RE..., RF..., RG..., RH..., RK..., RM..., RR..., RZ..., GR..., ER..., WR...
- Cross-flow fan QK..., QR..., QT..., QD..., QG...

Motor type:

- Induction internal or external rotor motor (also with integrated frequency inverter)
- Electronically commutated internal or external rotor motor (also with integrated EC controller)

complies with the requirements in Appendix I, Articles 1.1.2, 1.1.5, 1.4.1, 1.5.1 in EG Machinery Directive 2006/42/EG.

Manufacturer

ZIEHL-ABEGG SE
Heinz-Ziehl-Strasse
D-74653 Künzelsau

The following harmonised standards have been used:

EN 60204-1:2006+A1:2009	Safety of machinery; electrical equipment of machines; Part 1: General requirements
ENISO 12100:2010	Safety of machinery - General principles for design - Risk assessment and risk reduction
EN ISO 13857:2008	Safety of machinery; safety distances to prevent danger zones being reached by the upper limbs
Note:	The maintenance of the EN ISO 13857:2008 relates only to the installed accidental contact protection, provided that it is part of the scope of delivery.

The specific technical documentation in accordance with Appendix VII B has been written and is available in its entirety.

The person authorised for compiling the specific technical documentation is: Dr. W. Angelis, address see above. The specific documentation will be transmitted to the official authorities on justified request. The transmission can be electronic, on data carriers or on paper. All industrial property rights remain with the above-mentioned manufacturer.

It is prohibited to commission this incomplete machine until it has been secured that the machine into which it was incorporated complies with the stipulations of the EC Machinery Directive.

Künzelsau, 12.12.2017

Dr. W. Angelis - Technical Director Ventilation Division

i.v. W. Angelis



The Royal League in ventilation, control and drive technology

Intelligent control technology for any application

ZIEHL-ABEGG system capabilities:
Everything from a single source – perfectly matched for optimal performance

Please contact us. We would be pleased to design an individual solution for your requirements.

We would like to welcome you on our worldwide exhibitions. Please find our next exhibitions [here](#).