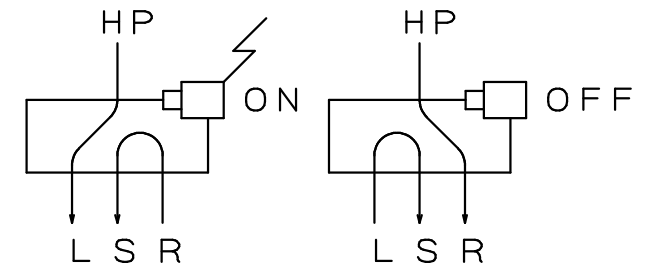
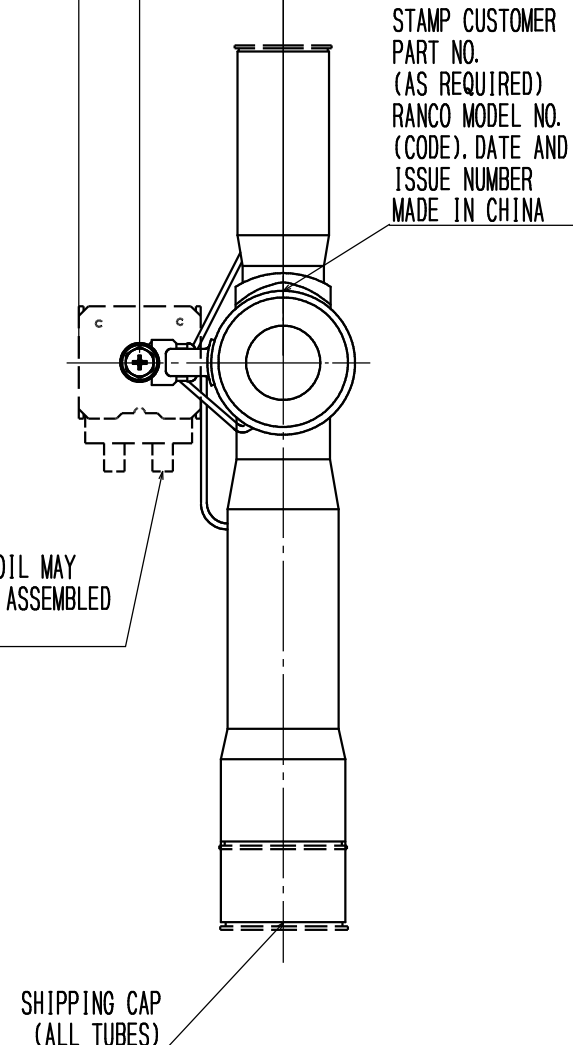
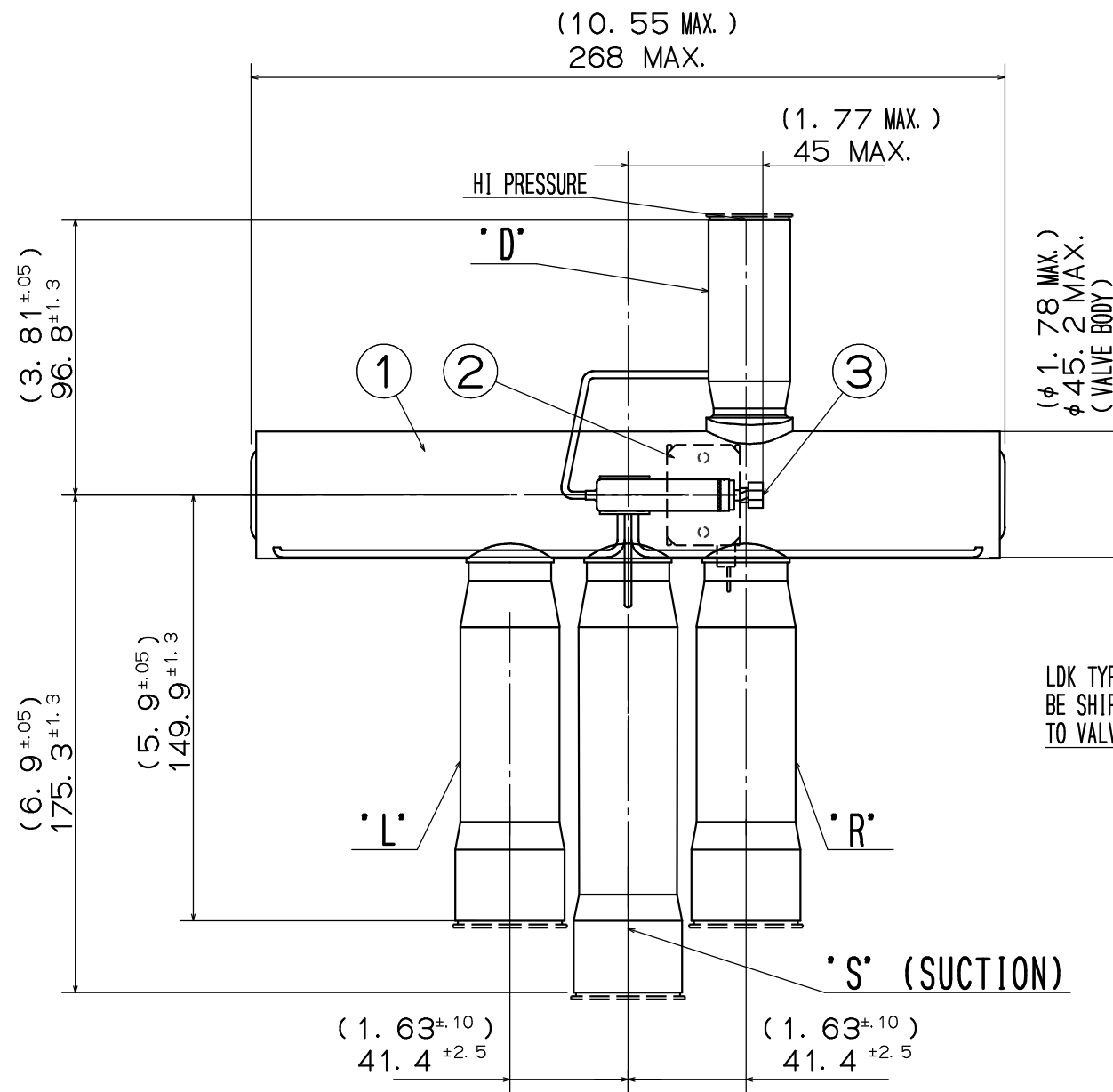


() DIMENSION IS INCH SIZE.



REFRIGERANT FLOW DIRECTION

(ITEM)	(NAME)	(NOTE)
3	SCREW	M5×0.8
2	TYPE LDK(LDL) COIL	
1	TYPE V12-402	

- NOTE
- MINIMUM CAPACITY APPLICATION FOR R22 AT COOLING CONDITIONS (7.2°C(45° F) EVAPORATOR, 5.5°C(10° F) SUPERHEAT, 54.4°C(130° F) CONDENSER AND 5.5°C(10° F) SUBCOOL):
STANDARD UNIT 21.0 KW(6 TON). HI-EFFICIENCY(LARGE INTERNAL VOLUME) 21.0 KW(6 TON)
 - VALVE BODY SHOULD BE PROTECTED SO THAT ITS TEMPERATURE DOES NOT EXCEED 121°C(250° F) DURING BRAZING OF CONNECTION TUBES.
 - MINIMUM BURSTING PRESSURE 17.2 MPa(2500 P. S. I.)
 - IF TESTED WITH DRY AIR, THE INTERNAL LEAKAGE WITH THE VALVE BODY HEATED TO 71°C(160° F) SHALL NOT EXCEED 15.000 cc/min. WITH 1.03 MPa(150 P. S. I. DIFFERENTIAL BETWEEN LOW AND HIGH PRESSURE SIDES.
 - AFTER SOLENOID COIL IS ASSEMBLED TIGHTEN SCREW WITH A TORQUE 2.53-3.83 N·m (22.4-33.9 LBS-IN.)
 - SHIP THE FOLLOWING PARTS UNASSEMBLED WHEN COIL IS NOT SHIPPED ASSEMBLED TO VALVE:
SCREW: KDF3-07
 - REFER TO NOMENCLATURE DRAWING RVN-01 FOR COMPLETE MODEL (CODE) NUMBER AND ALSO FOR VOLTAGE OF COIL WHEN COIL IS SHIPPED ASSEMBLED TO VALVE.
 - UL APPROVED VALVE.

mm (INCH)

V12-4220T□-2□□	35.13 (1.383)	35.13 (1.383)	35.13 (1.383)	25.4 (1.00)	28.58 O.D. (1.125 O.D.)	-	-
RANCO MODEL (CODE) NUMBER (SEE NOTE 7)	'L'	'S'	'R'	DEPTH L.S.R	'D'	DEPTH'D'	OPTIONS
TUBE FIT DIA. I.D UNLESS NOTED. TOL. ±.06(±.0025) TUBE FIT DEPTH TOL.±1.3(±.050)(DIMENSIONS IN INCHES)							

△ ×				
△ ×				
△ ×				
REV.	DATE	REVISION RECORD	DES.	APP.

NAME OUTLINE DIMENSION DRAWING REVERSING VALVE	REMARKS ISSUE: 12. MAR. '04 MANUFACTURED IN CHANGZHOU RANCO REVERSING VALVE CO., LTD. CHINA	DRN	DEG.	CHK.	APP.	RANCO ENGINEERING CENTER (RANCO JAPAN LTD.)	DWG. No.	V12-402			
		12. MAR. '04 Y. YAMANE	12. MAR. '04 Y. YAMANE	12. MAR. '04 N. MORITA	12. MAR. '04 T. MATSUMOTO		REV.				
		3RD ANGLE PROJ. DO NOT SCALE									