



Compressor
Voltage Code : FZ

AJ4461N-FZ

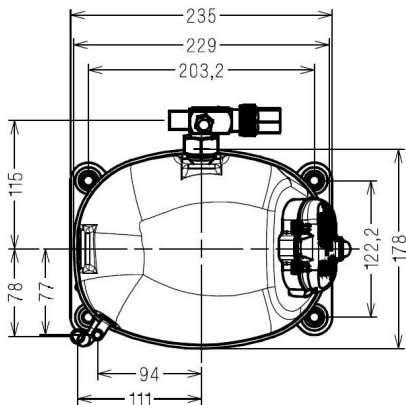
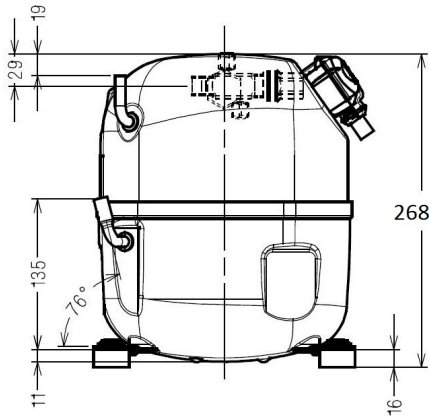
High Temp. Commercial (HP)

220 - 240V 1~ 50 Hz

R1234yf / R134a / R513A

AJ4461N-FZ1A

Conditions	Frequency	Nominal Cooling Capacity		Sound Power ISO3745 / ISO 3743-1
		Watts	BTU/h	
EN12900_HP / R1234yf	50 Hz	1339	4567	54 dBA
EN12900_HP / R134a	50 Hz	1421	4847	54 dBA
EN12900_HP / R513A	50 Hz	1439	4908	54 dBA



* EN12900_HP : T°Cond. 50.0°C / T°Evap. 5.0°C / T°Return gas temp.. 20.0°C
T°Subcooling. 0.0K

Certificates :



Displacement (cc)	18,3
Net Weight (Kg)	18.4
Oil Quantity (cc)	475.0
Oil Type	Polyolester
Expansion Device	Capillary_Tube/Expansion_Valve
Cooling	Fan
Main Winding (Ohm)	3.9
Start Winding (Ohm)	20.6
Current	
RLA (A)	4
MCC (A)	6,1
LRA (A)	19.4
Electrical Equipment	CSIR
Overload	MST24ALK
Time Check	2.8s - 5.2s / 20.6 A
Open Temp	105° C
Close Temp	61° C
Start Capacitor	64 µF / 330 V
Potential Relay	RVA40**
Pick Up	280/310V
Drop Out	60/121V
Optional	/
Refrigerating connection for	
Suction Tube	12.7 (1/2")
Discharge Tube	6.35 (1/4")
Process Tube	6.35 (1/4")

Note : Tecumseh reserves the right to change information contained in this document without notification.


Selection program - V4.6_2023296 - 11/19/2023




Tecumseh

AJ4461N-FZ	Tension FZ : 220 - 240V 1~ 50 Hz
-------------------	---

Les performances sont données dans les conditions EN12900_HP :	Gaz aspirés :	20.0 °C
Condition Dew	Sous refroidissement :	0.0 K
The performance data are in EN12900_HP conditions :	Return gas :	20.0 °C
Dew Condition	Subcooling :	0.0 K

50 Hz R1234yf											
 N°User-93											
4 T condensation	5 T évaporation	(°C)	-25	-20	-15	-10	-5	0	5	10	15
30	1 P frigorifique	(Watt)	435	587	770	989	1250	1556	1913	2326	2800
	2 P absorbée	(W)	328	369	408	443	475	502	525	543	554
	3 I absorbée	(A)	2.71	2.82	2.95	3.07	3.20	3.31	3.42	3.50	3.55
40	1 P frigorifique	(Watt)	338	475	637	827	1052	1315	1621	1977	2386
	2 P absorbée	(W)	328	379	429	477	522	563	601	634	662
	3 I absorbée	(A)	2.71	2.86	3.03	3.19	3.36	3.52	3.67	3.80	3.91
50	1 P frigorifique	(Watt)		363	505	669	859	1081	1339	1639	1985
	2 P absorbée	(W)		377	440	500	559	615	667	716	761
	3 I absorbée	(A)		2.84	3.06	3.28	3.51	3.73	3.95	4.15	4.33
60	1 P frigorifique	(Watt)			376	515	673	855	1067	1313	1598
	2 P absorbée	(W)			438	512	585	656	725	791	853
	3 I absorbée	(A)			2.99	3.30	3.60	3.91	4.21	4.50	4.76

50 Hz R134a											
 N°3285											
4 T condensation	5 T évaporation	(°C)	-25	-20	-15	-10	-5	0	5	10	15
30	1 P frigorifique	(Watt)	406	554	739	968	1246	1580	1975	2440	2979
	2 P absorbée	(W)	304	346	385	422	455	485	511	534	554
	3 I absorbée	(A)	2.83	2.93	3.03	3.12	3.21	3.31	3.40	3.49	3.58
40	1 P frigorifique	(Watt)	335	468	629	827	1067	1356	1699	2103	2575
	2 P absorbée	(W)	308	360	410	458	503	545	585	621	655
	3 I absorbée	(A)	2.75	2.91	3.06	3.21	3.36	3.51	3.66	3.81	3.95
50	1 P frigorifique	(Watt)		380	519	686	888	1131	1421	1765	2169
	2 P absorbée	(W)		361	424	484	543	599	653	704	753
	3 I absorbée	(A)		2.87	3.08	3.29	3.49	3.70	3.90	4.11	4.31
60	1 P frigorifique	(Watt)			411	548	712	910	1147	1431	1767
	2 P absorbée	(W)			425	499	572	644	713	781	846
	3 I absorbée	(A)			3.09	3.35	3.61	3.88	4.14	4.40	4.66

1 = cooling capacity 2 = power input 3 = current 4 = condensing temperature 5 = evaporating temperature

Nota : Tecumseh se réserve le droit de modifier les informations contenues dans ce document sans préavis.
Note : Tecumseh reserves the right to change information contained in this document without notification.

© 2023 Tecumseh Products Company
All rights reserved



Tecumseh

AJ4461N-FZ	Tension FZ : 220 - 240V 1~ 50 Hz
-------------------	---

Les performances sont données dans les **conditions EN12900_HP** :
 Condition Dew
 The performance data are in **EN12900_HP conditions** :
 Dew Condition

Gaz aspirés : 20.0 °C
 Sous refroidissement : 0.0 K
 Return gas : 20.0 °C
 Subcooling : 0.0 K

50 Hz R513A

N°3302

4 T condensation	5 T évaporation	(°C)	-25	-20	-15	-10	-5	0	5	10	15
30	1 P frigorifique	(Watt)	476	632	823	1055	1336	1670	2064	2521	3048
	2 P absorbée	(W)	336	379	420	457	491	522	549	574	595
	3 I absorbée	(A)	2.83	2.93	3.03	3.12	3.21	3.31	3.40	3.49	3.58
40	1 P frigorifique	(Watt)	389	527	692	891	1129	1413	1748	2139	2591
	2 P absorbée	(W)	333	388	441	491	538	582	624	663	699
	3 I absorbée	(A)	2.75	2.91	3.06	3.21	3.36	3.51	3.66	3.81	3.95
50	1 P frigorifique	(Watt)		422	563	728	926	1161	1439	1766	2144
	2 P absorbée	(W)		383	450	514	576	636	693	749	802
	3 I absorbée	(A)		2.87	3.08	3.29	3.49	3.70	3.90	4.11	4.31
60	1 P frigorifique	(Watt)			436	570	728	916	1139	1402	1708
	2 P absorbée	(W)			445	526	605	682	757	831	903
	3 I absorbée	(A)			3.09	3.35	3.61	3.88	4.14	4.40	4.66

© 2023 Tecumseh Products Company
All rights reserved

1 = cooling capacity 2 = power input 3 = current 4 = condensing temperature 5 = evaporating temperature

Nota : Tecumseh se réserve le droit de modifier les informations contenues dans ce document sans préavis.
Note : Tecumseh reserves the right to change information contained in this document without notification.