



Compressor
Voltage Code : FZ

AJ2464P-FZ

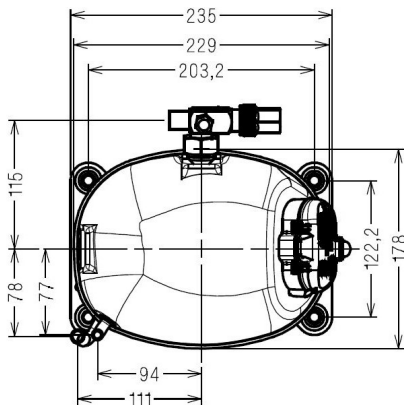
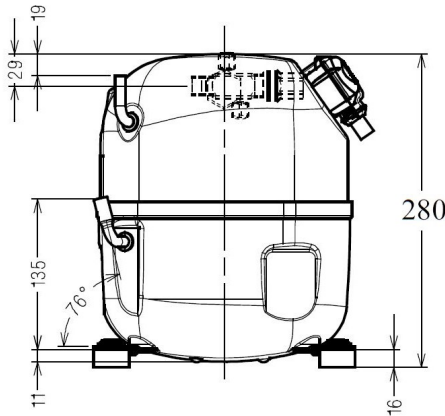
Low Temp. Commercial (BP)

220 - 240V 1~ 50 Hz

R452A / R404A / R455A / R454C

AJ2464P-FZ3A

Conditions	Frequency	Nominal Cooling Capacity		Sound Power ISO3745 / ISO 3743-1
		Watts	BTU/h	
Standard TE / R452A	50 Hz	1490	5080	61 dBA
Standard TE / R404A	50 Hz	1593	5434	61 dBA
Standard TE / R455A	50 Hz	1438	4904	61 dBA
Standard TE / R454C	50 Hz	1290	4398	61 dBA



Displacement (cc)	34,5
Net Weight (Kg)	21.2
Oil Quantity (cc)	475.0
Oil Type	Polyolester
Expansion Device	Capillary_Tube/Expansion_Valve
Cooling	Fan
Main Winding (Ohm)	1.6
Start Winding (Ohm)	6.5
Current	
RLA (A)	5,9
MCC (A)	10
LRA (A)	40
Electrical Equipment	CSR
Overload	MSTF16AFZ
Time Check	2.8s - 5.2s / 38 A
Open Temp	120° C
Close Temp	61° C
Optional	T0636
Start Capacitor	88 µF / 330 V
Run Capacitor	20 µF / 400 V
Potential Relay	RVA6M**
Pick Up	239/268V
Drop Out	60/135V
Refrigerating connection for	
Suction Tube	15.9 (5/8")
Discharge Tube	7.9 (5/16")
Process Tube	6.35 (1/4")

* Standard TE : T°Cond. 54.5°C / T°Evap. -23.3°C / T°Return gas temp.. 32.0°C
T°Subcooling. 19.7K

Certificates :



Note : Tecumseh reserves the right to change information contained in this document without notification.

Selection program - V4.6_2023296 - 10/25/2023



Tecumseh

AJ2464P-FZ	Tension FZ : 220 - 240V 1~ 50 Hz
-------------------	---

Les performances sont données dans les **conditions Standard TE** :
 Condition Mid

The performance data are in **Standard TE conditions** :
 Mid Condition

Gaz aspirés : 32.0 °C
 Sous refroidissement : 21.0 K

Return gas : 32.0 °C
 Subcooling : 21.0 K

© 2023 Tecumseh Products Company
 All rights reserved

50 Hz R452A

N°3608

4 T condensation	5 T évaporation	(°C)	-40	-35	-30	-25	-20	-15	-10
30	1 P frigorifique	(Watt)	741	1023	1366	1781	2276	2860	3542
	2 P absorbée	(W)	694	803	915	1030	1150	1274	1404
	3 I absorbée	(A)	3.91	4.28	4.70	5.18	5.72	6.31	6.97
40	1 P frigorifique	(Watt)		908	1239	1640	2120	2690	3360
	2 P absorbée	(W)		806	940	1080	1226	1377	1536
	3 I absorbée	(A)		4.30	4.83	5.41	6.05	6.74	7.49
50	1 P frigorifique	(Watt)			1089	1471	1931	2484	3140
	2 P absorbée	(W)			944	1107	1278	1456	1643
	3 I absorbée	(A)			4.89	5.57	6.31	7.10	7.94
60	1 P frigorifique	(Watt)				1290	1729	2265	2913
	2 P absorbée	(W)				1116	1311	1514	1728
	3 I absorbée	(A)				5.67	6.49	7.37	8.30

50 Hz R404A

N°3609

4 T condensation	5 T évaporation	(°C)	-40	-35	-30	-25	-20	-15	-10
30	1 P frigorifique	(Watt)	788	1074	1421	1835	2322	2890	3545
	2 P absorbée	(W)	727	840	953	1067	1182	1300	1419
	3 I absorbée	(A)	4.14	4.51	4.93	5.39	5.90	6.46	7.07
40	1 P frigorifique	(Watt)		963	1297	1696	2167	2718	3357
	2 P absorbée	(W)		850	984	1122	1263	1409	1558
	3 I absorbée	(A)		4.57	5.08	5.64	6.25	6.91	7.62
50	1 P frigorifique	(Watt)			1153	1535	1987	2520	3143
	2 P absorbée	(W)			994	1155	1322	1495	1675
	3 I absorbée	(A)			5.17	5.84	6.55	7.30	8.11
60	1 P frigorifique	(Watt)				1354	1789	2306	2919
	2 P absorbée	(W)				1170	1362	1563	1772
	3 I absorbée	(A)				5.97	6.77	7.63	8.54

1 = cooling capacity 2 = power input 3 = current 4 = condensing temperature 5 = evaporating temperature

Nota : Tecumseh se réserve le droit de modifier les informations contenues dans ce document sans préavis.

Note : Tecumseh reserves the right to change information contained in this document without notification.



Tecumseh

AJ2464P-FZ	Tension FZ : 220 - 240V 1~ 50 Hz
-------------------	---

Les performances sont données dans les **conditions Standard TE** :
 Condition Mid

The performance data are in **Standard TE conditions** :
 Mid Condition

Gaz aspirés : 32.0 °C
 Sous refroidissement : 18.3 K

Return gas : 32.0 °C
 Subcooling : 18.3 K

© 2023 Tecumseh Products Company
 All rights reserved

50 Hz R455A

N°3320

4 T condensation	5 T évaporation	(°C)	-40	-35	-30	-25	-20	-15	-10
30	1 P frigorifique	(Watt)	704	1005	1370	1809	2330	2942	3654
	2 P absorbée	(W)	617	732	850	969	1089	1209	1328
	3 I absorbée	(A)	3.23	3.73	4.23	4.76	5.31	5.89	6.49
40	1 P frigorifique	(Watt)	589	879	1231	1655	2159	2754	3450
	2 P absorbée	(W)	600	731	868	1009	1155	1303	1454
	3 I absorbée	(A)	3.17	3.73	4.33	4.95	5.60	6.29	7.03
50	1 P frigorifique	(Watt)		736	1072	1476	1960	2535	3213
	2 P absorbée	(W)		711	865	1027	1196	1372	1552
	3 I absorbée	(A)		3.64	4.33	5.05	5.82	6.63	7.50
60	1 P frigorifique	(Watt)			894	1276	1738	2292	2952
	2 P absorbée	(W)			845	1026	1217	1417	1625
	3 I absorbée	(A)			4.20	5.04	5.92	6.87	7.87

50 Hz R454C

N°3319

4 T condensation	5 T évaporation	(°C)	-40	-35	-30	-25	-20	-15	-10
30	1 P frigorifique	(Watt)	586	849	1168	1550	2004	2536	3154
	2 P absorbée	(W)	564	668	773	879	986	1095	1206
	3 I absorbée	(A)	3.05	3.48	3.94	4.42	4.92	5.43	5.96
40	1 P frigorifique	(Watt)	494	752	1063	1435	1877	2397	3003
	2 P absorbée	(W)	549	669	792	918	1047	1181	1319
	3 I absorbée	(A)	3.00	3.50	4.02	4.58	5.17	5.78	6.41
50	1 P frigorifique	(Watt)		636	935	1292	1718	2222	2813
	2 P absorbée	(W)		652	792	937	1088	1245	1408
	3 I absorbée	(A)		3.44	4.04	4.68	5.36	6.07	6.82
60	1 P frigorifique	(Watt)			789	1127	1532	2016	2591
	2 P absorbée	(W)			775	938	1108	1287	1475
	3 I absorbée	(A)			3.94	4.66	5.44	6.26	7.12

1 = cooling capacity 2 = power input 3 = current 4 = condensing temperature 5 = evaporating temperature

Nota : Tecumseh se réserve le droit de modifier les informations contenues dans ce document sans préavis.

Note : Tecumseh reserves the right to change information contained in this document without notification.