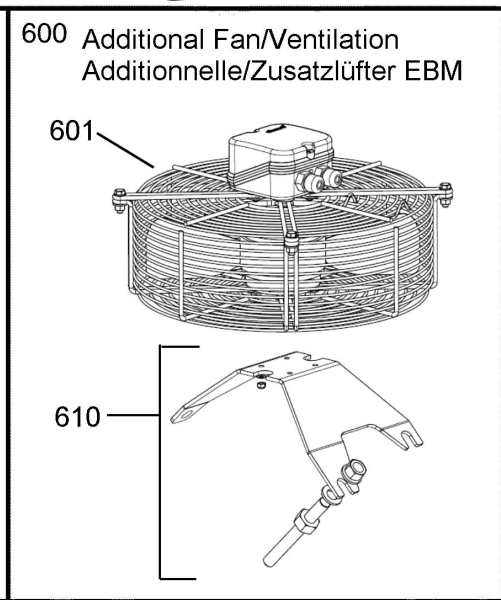
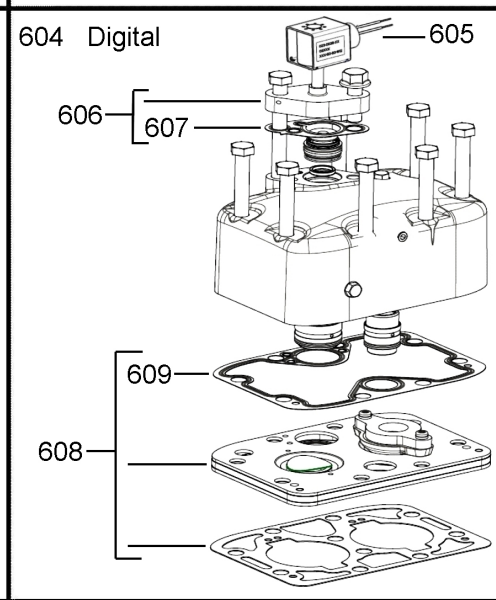
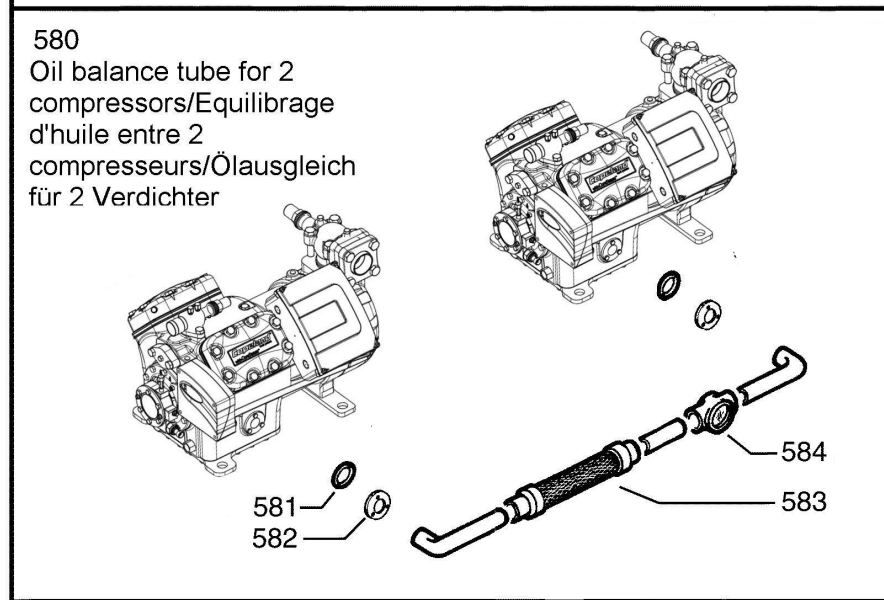
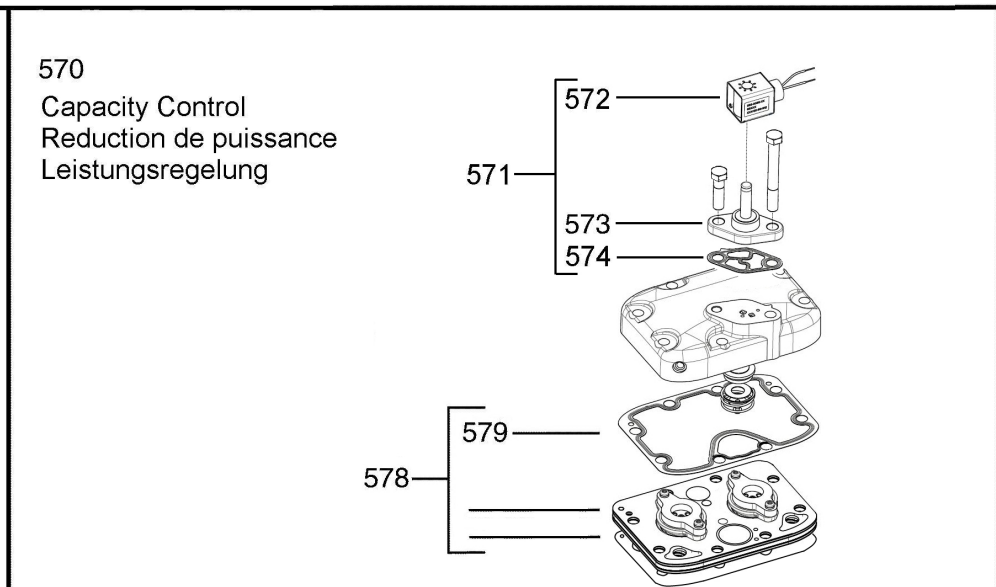
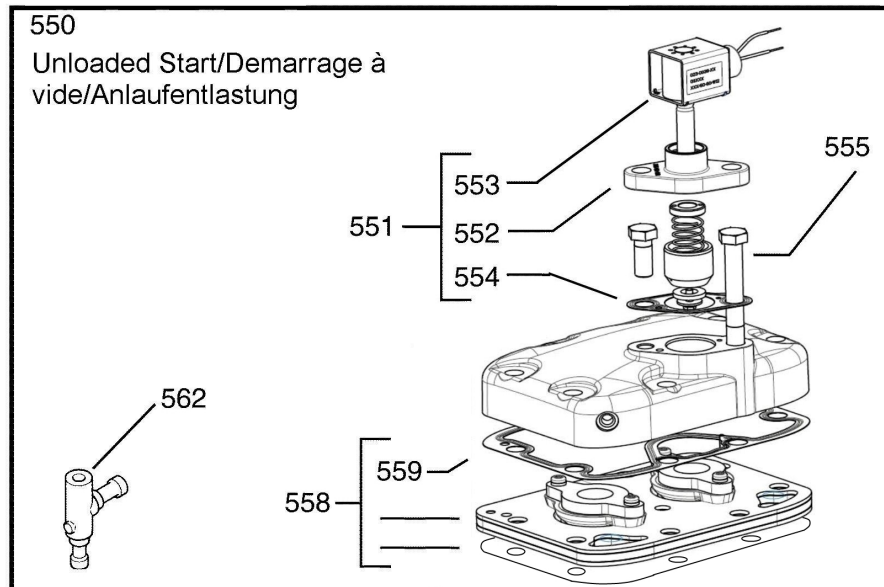


# Spare Parts List

# 4MI1-30X



# 4MI1-30X



# 4MI1-30X

Pos No.	Ident No.	Description	Qty	Technical information	Additional information	Comments	Replaced by
11	3004921	Bearing	3				
21	2882802	Gasket: stator cover	1				
30	2846162	Suction screen w gasket	1				
40	3009346	Motor unit: 30HP AWM/D	1				
40	3010179	Motor unit: 30HP EWK	1				
40	3011150	Motor unit: 30HP EWL	1				
40	3010351	Motor unit: 30HP EWM/D	1				
60	3009266	Crankshaft 4M - short	1				
61	2940019	Crankshaft key	1				
62	3168318	Washer 4/6M (open, gear side)	1				
63	3168307	Washer 4/6M (closed, motor side)	1				
70	3009186	Piston & conrod assy	2	4/6M M/I	2 Pieces		
71	3166629	Piston ring	4	4/6M M/I			
71	3166630	Piston ring	4	4/6M M/I MOLY			
80	3005606	Housing cover w bearing	1				
82	2884251	Gasket: housing cover	1				2880782
90	3008332	Oil pump assy	1				
91	2884262	Gasket: oil pump	1				
	2947601	O-ring: oil pump	1		IOPS/OPS1/Sentronic		
112	3167973	Gasket: bottom plate	1	4/6M			
120	3806796	Oil screen w gasket	1		after 03.91		
123	3199949	Gasket: oil screen	1		after 03.91		
124	2882722	Sleeve: oil screen	1				
125	3224143	Magnetic Plug	1	1"-16UN 2A			
130	2895620	Check Valve: gas	1				
140	2862060	Check Valve: oil	1				
150	2482519	Oil sight glass assy	1				
152	2042028	Gasket	1				
160	3232933	Valve plate kit w gaskets	2	4M A/H,4/6M I/J			
	3010577	Gasket kit for valve plate	2	4M M/I, STREAM			
161	3007464	Gasket: below cylinder head	2	4/6M	Standard		
180	3168114	Gasket: below valve plate	2	0.025"			
180	3167406	Gasket: below valve plate	2	0.030"			
180	3167451	Gasket: below valve plate	2	0.035"			
200	3163993	Shut-off valve w gasket & bolts	1	2 1/8"	Brazed	Suction	
201	2880862	Gasket	1			Suction	
202	2943698	Valve cap	1		for AWA & Nobis	Suction	
203	3163777	Gasket: pipe socket	1				

# 4MI1-30X

Pos No.	Ident No.	Description	Qty	Technical information	Additional information	Comments	Replaced by
204	2832841	Pipe socket	1	2 1/8"	Nobis		
205	2946846	Flange: Nobis	1				
210	3011478	Shut-off valve w gasket & bolts	1	1 1/8"	Brazed	Discharge	
211	2880908	Gasket	1			Discharge	
212	2829909	Valve cap	1		for AWA & Nobis	Discharge	
220	3086072	Pressure relief valve: internal	1				
230	3005377	Terminal plate assy	1	4/6M			
	3008592	Terminal parts kit	1	4/6M,MD			
231	2880840	Gasket: terminal plate	1				
232	3005140	Gasket: terminal box	1				
240	3234177	CoreSense Protection for version -P	1	115 - 230V AC	Standard delivery		
240	3232728	CoreSense Protection for version -P	1	200 - 260V			
240	3232739	CoreSense Protection for version -P	1	120V - 60Hz			
240	3232740	CoreSense Protection for version -P	1	24V AC			
240	3232751	CoreSense Protection for version -P	1	24V DC			
250	3007522	Terminal box w Gasket	1				
253	3007533	Cover: terminal box w gasket	1				
510	3011070	Gasket kit	1	4M/4MD			
530	3210093	Crankcase heater	1	100W, 230V	Internal		
530	2897740	Crankcase heater	1	100W, 480V	Internal		3210128
530	4582584	Crankcase heater	1	100W, 115V	Internal		3210139
531	3211109	Sleeve: crankcase heater	1				
	2942537	Heat sink paste tube 8-12gr.	1		For Crankcase Heater, NTC Sensor		
540	3005366	Mounting parts kit, Spring	1				
	3186041	Rubber Spacer for Spring Mtg. Parts	1				
	2482315	Mounting parts kit (rubber) for parallel application	1		for flat bottom plate	for parallel application (rubber)	
550	3008945	Unloaded start conversion kit	1	220V, 4M A/H,4/6M I/J	W Control Valve, W Coil, Wo Check Valve		
551	3006825	Unloaded start assy: control valve, gaskets, coil, bolts	1	220V			
552	3008069	Control valve	1	ALCO 801247	wo coil		
553	2945683	Solenoid coil	1	230V AC, 50/60Hz	Alco		
554	3005060	Gasket	1		activ		
555	3011252	Kit Bolts	1				
558	3010497	Valve plate assy: unloaded start	1	4M A/H,4/6M I/J			
559	3004910	Gasket: below cylinder head	1		For UI Start/Capacity Control		
562	2946891	Check valve NRV22S	1	7/8" / 22 mm			

# 4MI1-30X

Pos No.	Ident No.	Description	Qty	Technical information	Additional information	Comments	Replaced by
562	2946904	Check valve NRV28S	1	28 mm			
570	3009733	Capacity control conversion kit	1	4/6M A/H,4/6M I/J, 1 x 240V			
	3008989	Capacity control conversion kit - Inactive	1	4M A/H,4/6M I/J	Wo Control Valve, Wo Coil		
571	3006870	Capacity control kit: control valve, gaskets, coil, bolts	1	230V AC, 50/60Hz - ALCO			
571	3006869	Capacity control kit: control valve, gaskets, coil, bolts	1	120V AC, 50/60Hz - ALCO			
571	3006881	Capacity control kit: control valve, gaskets, coil, bolts	1	24V AC, 50/60Hz - ALCO			
571	3006892	Capacity control kit: : control valve, gaskets, coil, bolts	1	24V DC - ALCO			
572	3006676	Control valve	1		Wo Coil		
573	3160518	Solenoid coil	1	208-240V AC, 50/60HZ	ALCO		
573	3160507	Solenoid coil	1	120V AC, 50/60Hz, IP10	ALCO		
573	3160494	Solenoid coil	1	24V AC, 50/60 Hz	ALCO		
573	2831337	Solenoid coil	1	24 V, DC	Alco		
574	3005059	Gasket: control valve	1	4/6M	Cannot be used for blind flange		
	3223935	Gasket: blind flange	1		To be used only with blind flange		
	3011252	Kit Bolts	1				
578	3010453	Valve plate assy: capacity control	1	4M A/H,4/6M I/J			
579	3004910	Gasket: below cylinder head	1		For UI Start/Capacity Control		
580	3014659	Kit oil passive equalization for 2 compressors	1		including 2 x flange adapter, 2 x gasket, 1 x vibration absorber, 1 x oil sight glass		
581	2042028	Gasket	1				
582	2496330	Flange: sweat	1				
583	6744780	Vibration absorber	1	1 1/8"			
584	2495882	Oil sight glass	1	AMI-1TT9, 1-1/8", ALCO (#805651)			
	3131507	OM3-CUA Traxoil electronic oil level management system Kit includes: OM3 Traxoil, CUA adapter, 24V coil ,relais cable 6m, power cable 6m	1	35 bar			
	8405176	Transformer ECT-323	1	230V / 24V / 25VA, ALCO #804424		for 1 x OM3	
	3124403	Transformer ECT-623	1	230V / 24V / 60VA, ALCO #804421		for 3 x OM3	
	3131472	Differential Oil Check Valve	1	3,5 Bar	ODP-33A - #800366		
601	2998256	Fan assy: vertical: EBM	1	220/380V-3-50/60Hz	Wo Mounting Kit		
601	2998245	Fan assy: vertical: EBM	1	220V-1-50Hz	Wo Mounting Kit		
	3097996	Capacitor 5 µF	1	5 µF / 400 V, 50 Hz	For Fan 220-1-50/60 Ebm		

# 4MI1-30X

Pos No.	Ident No.	Description	Qty	Technical information	Additional information	Comments	Replaced by
610	3011694	Mounting kit fan	1	4M			
604	3010704	Digital conversion kit w/o coil & control valve	1	4MD A/H,4/6MD I/J	Inactive		
605	3185480	Solenoid coil w cable	1	24 VAC Digital			
605	3185491	Solenoid coil w cable	1	120 VAC Digital			
605	3185504	Solenoid coil w cable	1	220-240 VAC Digital			
606	3011058	Control valve + gasket	1		Wo Coil		
611	3009120	Kit CoreSense Diagnostic for version -D	1		Module & Harness		
	3185924	Kit converter RS485 to USB for CoreSense Diagnostic version -D	1				
	3208314	Wire harness CoreSense for version -D	1				
612	3010908	Kit bracket for CoreSense Diagnostic version -D	1				
613	3009142	Kit oil sensor + gasket + o-ring for CoreSense Diagnostic version -D	1				
	3159332	Oil sensor for CoreSense Diagnostic version -D	1				
614	5404652	Oil pressure switch with PG: OPS2 for CoreSense Protection version -P	1	115/230 V, 50/60 Hz	Switch, PG connection		
	3168329	Oil pressure switch complete: OPS2 for CoreSense Protection version -P	1	115/230V, 50/60 Hz	Sensor, switch, PG connection		
	3164918	Oil pressure switch: OPS2 for CoreSense Protection version -P	1	115/230 V, 50/60 Hz	Electronic switch		
	3110784	Sensor w gaskets: OPS2 for CoreSense Protection version -P	1				
	3112586	Gasket: sensor - for Stream version -P and -D	1		for CoreSense Diagnostic & OPS2		
	2944124	O-ring: sensor - for Stream version -P and -D	1		for CoreSense Diagnostic & OPS2		
	3009131	Kit Discharge Temp. Probe for CoreSense Diagnostic version -D	1		Sensor + cable + sealant paste		
618	3011230	Kit electronic sensor module for CoreSense Diagnostic version -D	1		electrical box of the compressor		
619	3011241	Kit current sensor assy for CoreSense Diagnostic version -D	1		electrical box of the compressor		
	3011865	Transformer for CoreSense Diagnostic version -D	1	230V / 24V, 50 / 60 Hz, IP54			
	3013781	Sound Shell Assembly	1	4M* & 4M*D			
	2830743	Spray Black	1	RAL 9005, 400ml			
	3011489	Paint RAL9005, 6 x 400ml	1				

# 4MI1-30X

Pos No.	Ident No.	Description	Qty	Technical information	Additional information	Comments	Replaced by
	3139330	Ester oil	1	RL32-3MAF, 1Lt			
	3139341	Ester oil	1	RL32-3MAF, 5Lt			
	3139352	Ester oil	1	RL32-3MAF, 20Lt			