

Single ended CROSS-FLOW BLOWERS Diam.45mm

Alternating Current

For ordering the correct Cross-Flow Blowers, the following code has to be used:

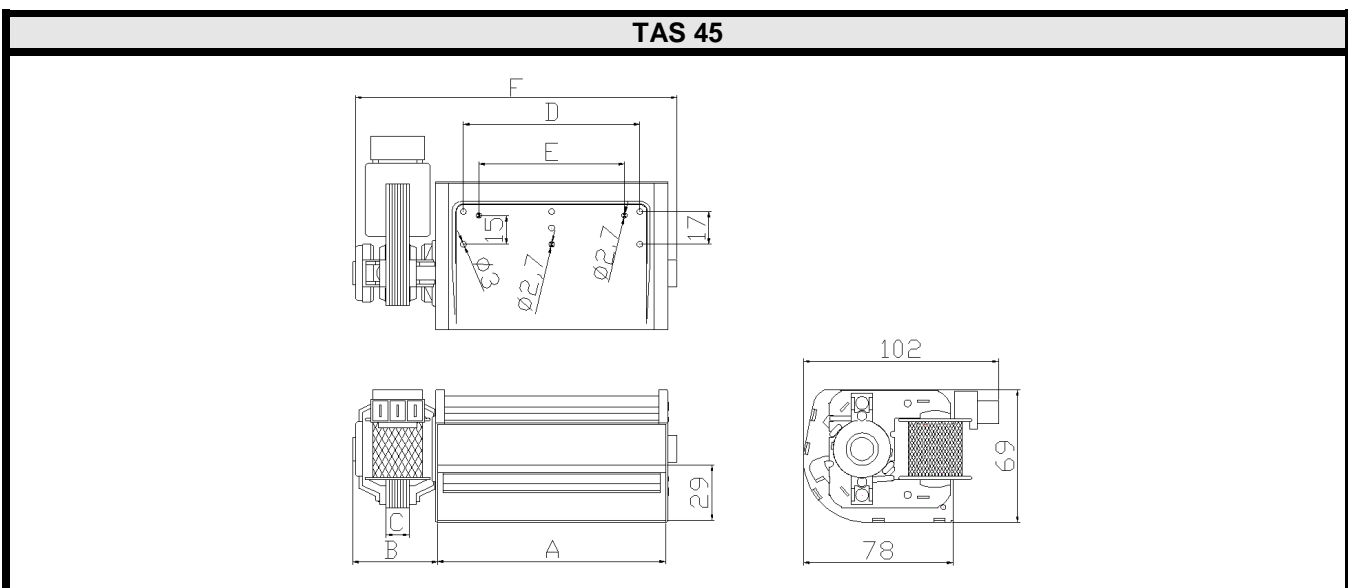
T	A	S				4	-									-	V o l t	H z
1	1	1	2	2	3			4	4	5	5	5		6	6		7	8

- 1 - TAS.
- 2 - Wheel length code (see table, column 1)
- 3 - "B" for sleeve bearings, "C" for ball bearings.
- 4 - Supply connection: "FA" by faston: "PA" by soldering tags.
- 5 - Coil code (see table, column 2)
- 6 - Motor and connector position w/r to wheel "S" means left, "D" means right: (see following picture)



- 7 - Rated voltage
- 8 - Rated frequency

SINGLE ENDED A.C. TYPE Diam.45 mm	COIL FA = faston or PA = soldering tags Code	DIMENSIONS						SPEED AND FREE AIR FLOWRATE		MAX PRESSURE Pa	INPUT POWER W
		A	B	C	D	E	F	rpm	m ³ /h		
		mm	mm	mm	mm	mm	mm				
TAS 09	001	90	44	12	62	46	141	2550	36	17	25
TAS 12	001	120	44	12	92	72	171	2370	56	24	25
TAS 18	001	180	44	12	152	136	231	2030	78	26	25
	003		48	16			235	2380	95	34	30
	005		62	30			249	2690	105	33	34
TAS 24	003	240	48	16	212	196	295	2130	125	33	30
TAS 27	003	270	48	16	242	226	325	2000	130	30	30
	004		52	20			329	2270	145	33	33
TAS 30	004	300	52	20	272	256	359	2180	170	33	33
	005		62	30			369	2400	180	34	35
TAS 36	004	360	52	20	332	316	419	1900	180	33	33
	005		62	30			429	2150	210	34	35



- Normal operation temperature 0 to +60°C
 - Insulation class "F", class "H" on request
- Optional Features:**
- Operation temperature to custom requirement
 - Protection against dusty and / or humid environments

Single ended CROSS-FLOW BLOWERS Diam.60mm

Alternating Current

For ordering the correct Cross-Flow Blowers, the following code has to be used:

T	A	S				-						-		-	V o l t	H z
1	1	1	2	2	3		4	4	5	5	5		6	6	7	8

- 1 - TAS.
- 2 - Wheel length code (see table, column 1)
- 3 - "B" for sleeve bearings, "C" for ball bearings.
- 4 - Supply connection: "FA" by faston: "PA" by soldering tags.
- 5 - Coil code (see table, column 2)
- 6 - Motor and connector position w/r to wheel "S" means left, "D" means right: (see following picture)

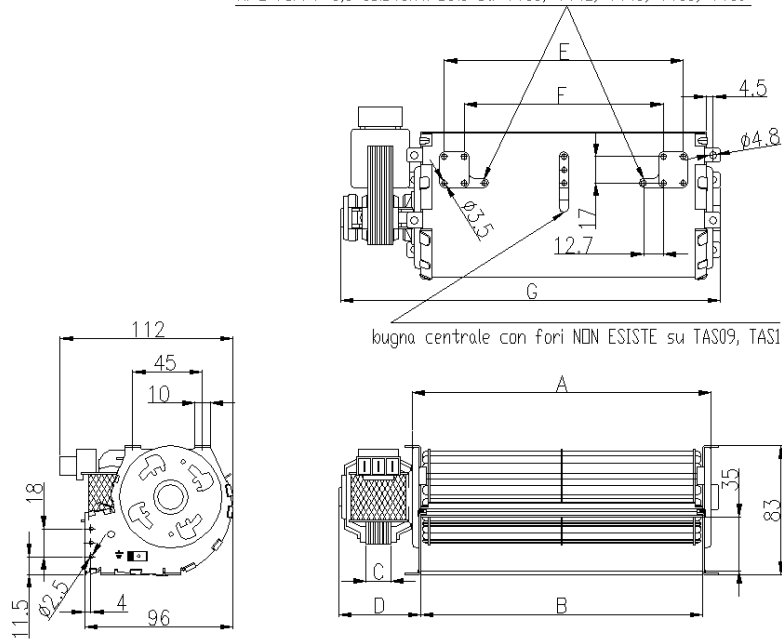


- 7 - Rated voltage
- 8 - Rated frequency

SINGLE ENDED A.C. TYPE Diam.60 mm	COIL FA = faston or PA = soldering tags Code	DIMENSIONS							SPEED AND FREE AIR FLOWRATE		Max Pressure Pa	INPUT POWER W
		A	B	C	D	E	F	G	rpm	m ³ /h		
		mm	mm	mm	mm	mm	mm	mm				
TAS 09	001	108	97	12	49	69	43,6	156	2030	70	60	18
TAS 12	001	133	122	12	49	94	68,6	181	1600	85	57	19
TAS 18	001	193	182	12	49	154	128,6	241	1120	100	40	24
	003			16	53			245	1500	140	60	28
	004			20	57			249	1800	165	65	32
	005			30	67			259	2000	185	65	38
TAS 20	001	213	202	12	49	154	128,6	261	1160	113	30	24
	003			16	53			265	1600	155	45	28
	004			20	57			269	1800	175	50	32
	005			30	67			279	2100	205	55	38
TAS 24	001	253	242	12	49	214	188,6	301	940	120	38	23
	003			16	53			305	1300	160	50	28
	004			20	57			309	1480	185	65	32
	005			30	67			319	1800	225	80	40
TAS 27	001	283	272	12	49	244	218,6	331	900	130	30	23
	003			16	53			335	1220	175	44	30
	004			20	57			339	1300	190	60	34
	005			30	67			349	1700	245	65	45
TAS 30	003	313	302	16	53	274	248,6	365	1180	185	40	30
	004			20	57			369	1200	225	58	32
	005			30	67			379	1600	260	58	45
	014			40	77			389	2000	365	68	58
TAS 36	003	377	366	16	53	336	312	429	1000	210	45	30
	004			20	57			433	1100	240	57	32
	005			30	67			443	1340	285	68	45
	014			40	77			453	1900	380	70	58
TAS 42	004	435	424	20	57	394	360	491	1050	250	55	32
	005			30	67			501	1250	315	69	45
	014			40	77			511	1700	425	80	58
TAS 48	004	496	485	20	57	455	431	552	950	275	46	32
	005			30	67			562	1100	345	63	45
	014			40	77			572	1530	430	71	58
TAS 55	004	569	558	20	57	528	504	625	890	290	40	32
	005			30	67			635	1000	360	63	45
	014			40	77			645	1300	455	56	58
TAS 61	004	619	608	20	57	578	554	675	800	320	42	32
	005			30	67			685	920	370	52	45
	014			40	77			695	1250	470	54	58

TAS 60

N. 2 fori \varnothing 3,5 esistenti solo su VT36, VT42, VT48, VT55, VT60



- Normal operation temperature 0 to +60°C
 - Insulation class "F", class "H" on request
- Optional Features:**
- Operation temperature to custom requirement
 - Protection against dusty and / or humid environments

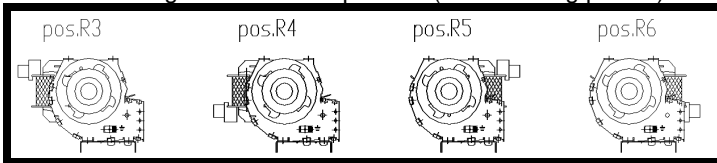
Dual CROSS-FLOW BLOWERS Diam.60mm

Alternating Current

For ordering the correct Cross-Flow Blowers, the following code has to be used:

T	A	D				-						-			-	V o l t	H z
1	1	1	2	2	3		4	4	5	5	5		6	6		7	8

- 1 - TAD
- 2 - Wheel length code (see table, column 1)
- 3 - "B" for sleeve bearings: "C" for ball bearings.
- 4 - Supply connection: "FA" means by faston: "PA" means by soldering tags.
- 5 - Coil code (see table, column 2)
- 6 - Motor mounting and connector position (see following picture)



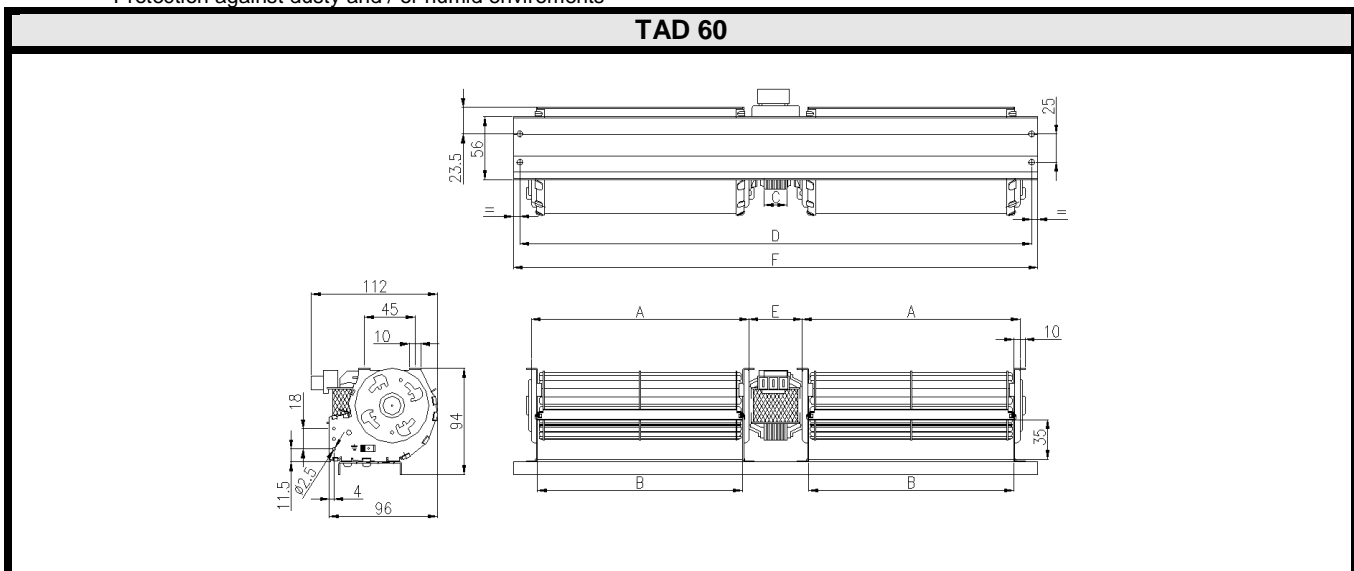
- 7 - Rated voltage
- 8 - Rated frequency

DUAL A.C. TYPE Diam.60 mm	COIL FA = faston or PA = soldering tags	DIMENSIONS						SPEED AND FREE AIR FLOWRATE		MAX PRESSURE Pa	INPUT POWER W
		A	B	C	D	E	F	rpm	m ³ /h		
		mm	mm	mm	mm	mm	mm				
TAD 18	004			20		48		1100	185	52	32
	005	193	182	30	454	58	465	1400	235	60	38
	014			40		68		1730	310	60	51
TAD 24	004	253	242	20	574	48	585	960	230	41	32
	005			30		58		1190	290	61	40
	014			40		68		1380	380	60	52
TAD 27	004	283	272	20	634	48	645	870	255	38	32
	005			30		58		1080	310	46	40
	014			40		68		1240	400	56	54
TAD 30	005	313	302	30	694	58	705	1000	330	44	40
	014			40		68		1150	430	57	55
TAD 36	005	377	366	30	830	58	841	900	370	48	45
	014			40		68		1040	450	53	55

- Normal operation temperature 0 to +60°C
- Insulation class "F", class "H" on request

Optional Features:

- Operation temperature to custom requirement
- Protection against dusty and / or humid environments



Single ended CROSS-FLOW BLOWERS Diam.60mm.

Direct Current

For ordering the correct Cross-Flow Blower, the following code has to be used:

T	C	S				-	V o l t C . C .
1	1	1	2	2	3		4

1 - TCS

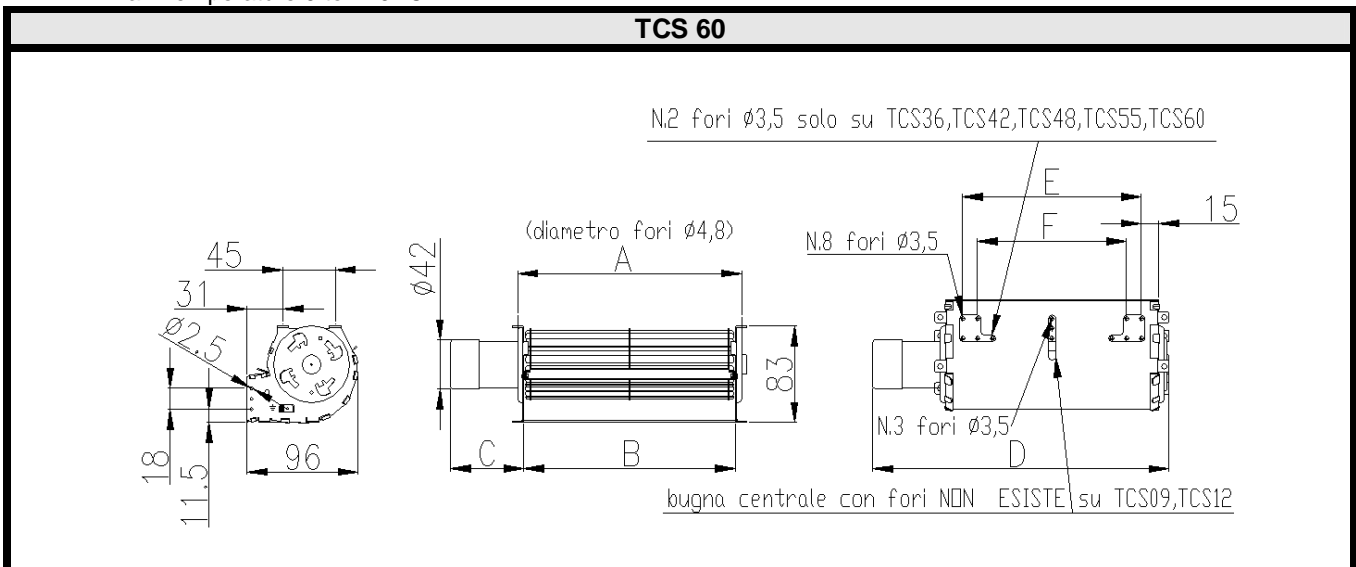
2 - Wheel length code (see table, column 1)

3 - Motor position w/r to wheel: "S" means left, "D" means right.

4 - Rated voltage.

SINGLE ENDED D.C. TYPE	DIMENSIONS mm							SPEED AND FREE AIR FLOWRATE		MAX PRESSURE Pa	RATED CURRENT A	INPUT POWER W
	A	B	C	D	E	F	m ³ /h	rpm				
TCS 09	12V	108	97	58	170,5	69	43,6	65	2070	72	0,42	5
	24V										0,21	
TCS 12	12V	133	122	58	195,5	94	68,6	83	1840	64	0,53	6,4
	24V										0,26	
TCS 18	12V	193	182	58	255,5	154	128,6	125	1440	48	0,64	7,7
	24V										0,32	
TCS 24	12V	253	242	58	315,5	214	188,6	185	1300	46	0,67	8
	24V										0,33	
TCS 27	12V	283	272	58	345,5	244	218,6	200	1230	45	0,70	8,15
	24V										0,35	
TCS 30	12V	313	302	58	375,5	274	248,6	205	1165	44	0,68	8,4
	24V										0,34	
TCS 36	12V	377	366	58	439,5	336	312	225	1060	42	0,75	9
	24V										0,37	
TCS 42	12V	435	424	58	497,5	394	360	245	1050	40	0,75	9
	24V										0,37	
TCS 48	12V	496	485	58	558,5	455	431	260	970	35	0,76	9,1
	24V										0,38	
TCS 55	12V	569	558	58	631,5	528	504	305	950	30	0,77	9,2
	24V										0,39	
TCS 61	12V	619	608	58	681,5	578	554	320	920	27	0,78	9,4
	24V										0,40	

- Max Temperature 0 to +40° C

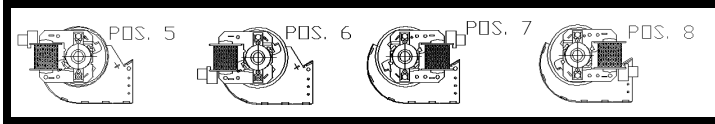


Alternating Current

For ordering the correct Cross-Flow Blowers, the following code has to be used:

T	A	S				5	-										V o l t	H z
1	1	1	2	2	3			4	4	5	5	5		6	6		7	8

- 1 - TAS.
- 2 - Wheel length code (see table, column 1)
- 3 - "B" for sleeve bearings, "C" for ball bearings.
- 4 - Supply connection: "FA" by faston: "PA" by soldering tags.
- 5 - Coil code (see table, column 2)
- 6 - Motor and connector position w/r to wheel "S" means left, "D" means right: (see following picture)



- 7 - Rated voltage
- 8 - Rated frequency

SINGLE ENDED A.C. TYPE Diam.65 mm	COIL FA = faston or PA = soldering tags Code	DIMENSIONS						SPEED AND FREE AIR FLOWRATE		MAX PRESSURE Pa	INPUT POWER W
		A	B	C	D	E	F	rpm	m ³ /h		
		mm	mm	mm	mm	mm	mm				
TAS 09	001	94	12	52	64	34	154	1800	66	34	22
TAS 12	001	124	12	52	94	64	184	1500	90	32	22
TAS 18	001	184	12	52	154	124	244	920	110	35	24
	003		16	56			248	1230	150	55	30
	004		20	60			252	1400	170	65	35
	005		30	70			262	1700	200	73	40
TAS 24	001	244	12	52	214	184	304	740	130	26	24
	003		16	56			308	1000	165	51	30
	004		20	60			312	1060	185	56	35
	005		30	70			322	1300	230	66	40
TAS 27	001	274	12	52	244	214	334	700	135	30	24
	003		16	56			338	900	180	46	30
	004		20	60			342	1000	190	60	35
	005		30	70			352	1120	250	65	40
TAS 30	003	304	16	56	274	244	368	840	190	40	30
	004		20	60			372	930	225	50	35
	005		30	70			382	1060	265	58	40
TAS 36	004	364	20	60	334	304	432	820	240	49	35
	005		30	70			442	990	290	57	40
	014		40	80			452	1170	380	62	58
TAS 42	004	424	20	60	394	364	492	715	255	47	35
	005		30	70			502	855	335	57	40
	014		40	80			512	1030	430	60	58
TAS 48	004	484	20	60	454	424	552	670	280	45	35
	005		30	70			562	780	350	55	40
	014		40	80			572	1000	440	58	58
TAS 55	004	554	20	60	524	494	622	630	300	40	35
	005		30	70			632	700	365	55	40
	014		40	80			642	810	455	56	58
TAS 61	004	614	20	60	584	554	682	560	330	40	35
	005		30	70			692	640	375	52	40
	014		40	80			702	740	480	54	58