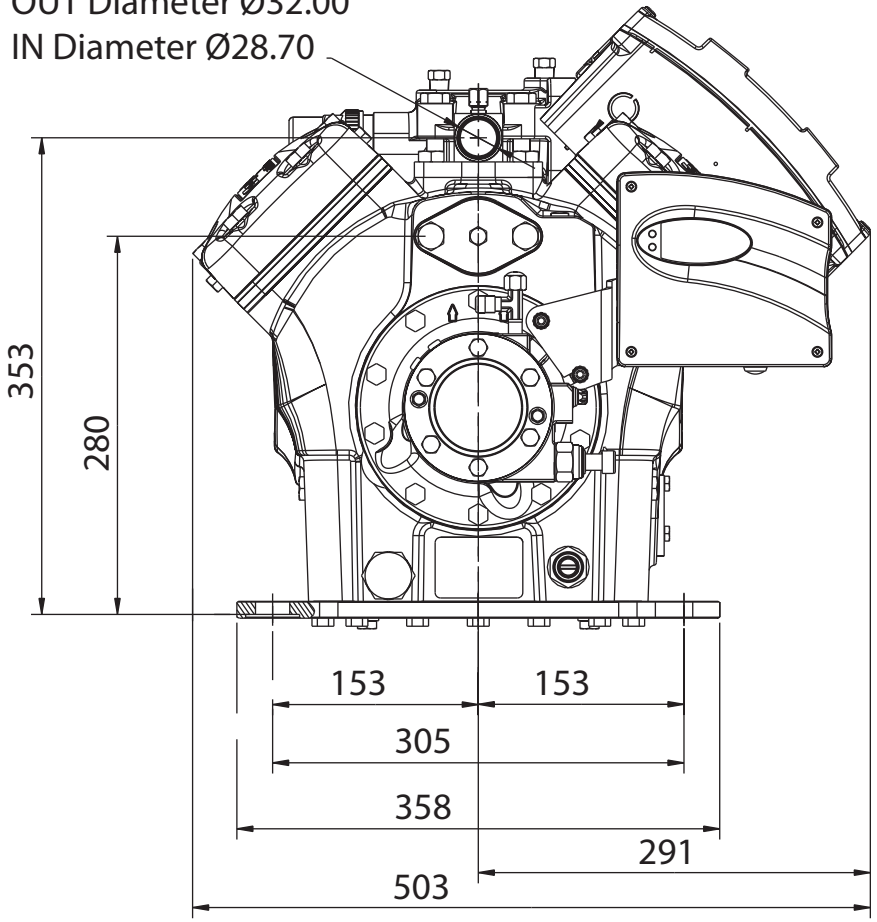


Model	Drawing Number	Revision Number	Date
4MA-22X	497-1201-00	0	19.03.2010
4MF-13X	497-1200-00	0	19.03.2010
4ML-15X	497-1202-00	0	19.03.2010

Discharge Valve  
 OUT Diameter Ø32.00  
 IN Diameter Ø28.70



Suction Valve  
 OUT Diameter Ø46.00  
 IN Diameter Ø42.00

