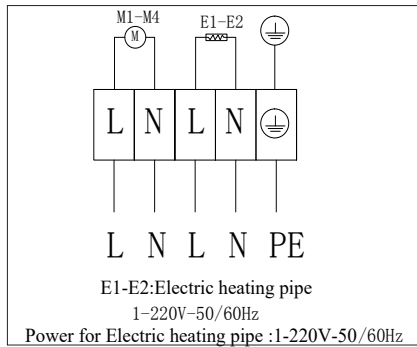
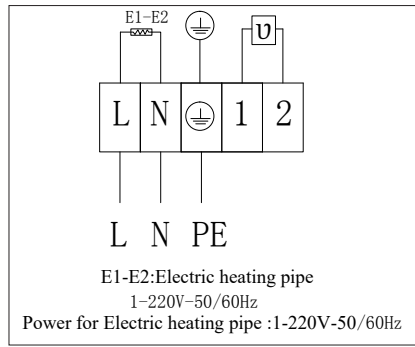


HED SERIES EVAPORATOR

Defrost heating circuit diagram:

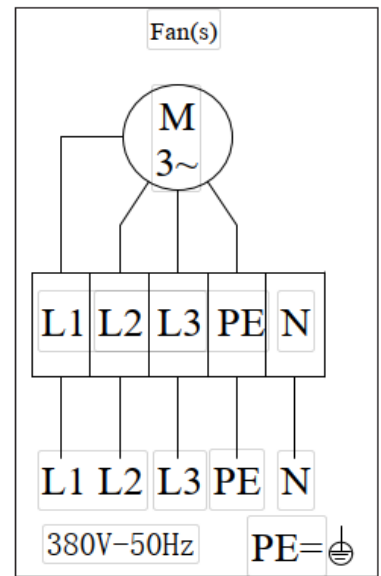
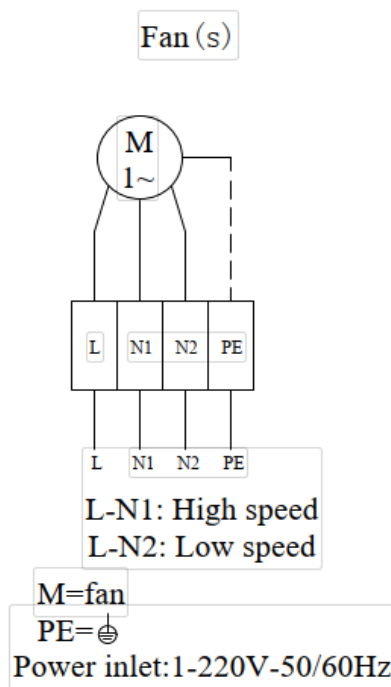
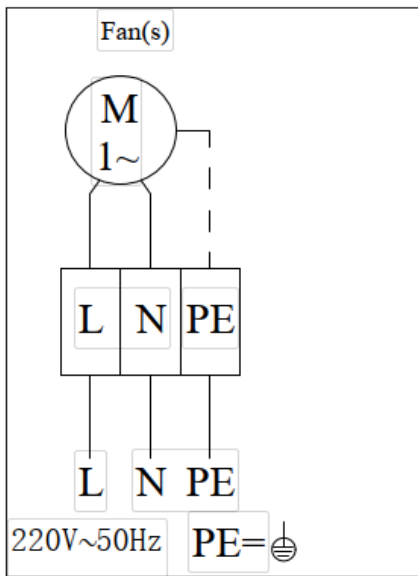


HED 250 D

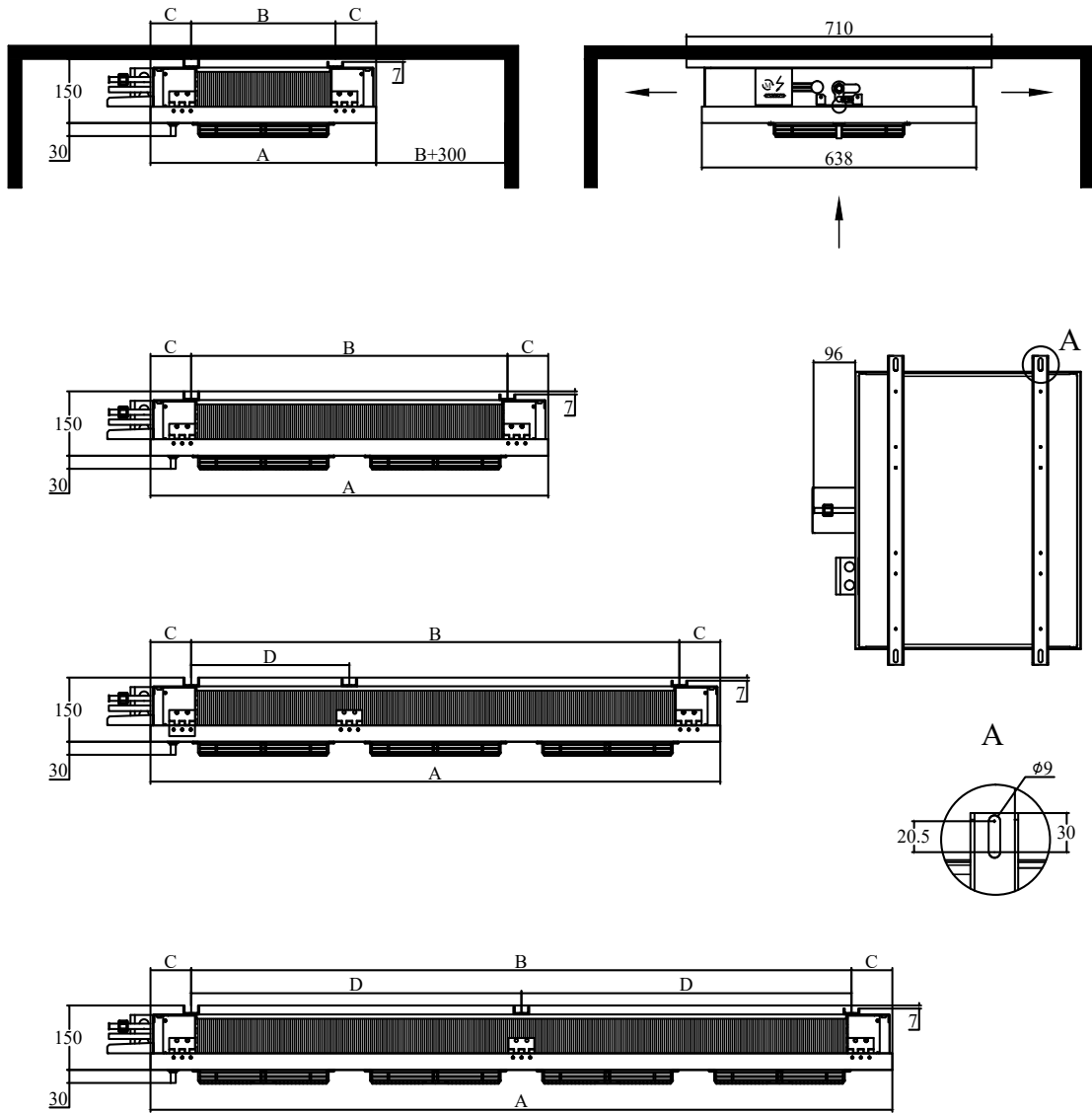


HED 350 D

Fan motor circuit diagram:



HED MEDIUM PROFILE SERIES EVAPORATOR



Model / Modelo	Dimensions/Dimensiones(mm)			
	A	B	C	D
HED 2501...	525	335	95	-
HED 2502...	925	735	95	-
HED 2503...	1325	1135	95	367.5
HED 2504...	1725	1535	95	367.5

HED MEDIUM PROFILE SERIES EVAPORATOR

Fin spacing, 4.5 mm, with heater, $R_t \geq 0^\circ\text{C}$

Model / Modelo	Nominal Capacity / Capacidad Nominal (kw)		Capacity / Capacidad (kw)		Superficie/ Surface (m ²)	Tube Volume/ Volumen Interno (dm ³)	N.W/ Peso Neto (kg)	Connection/ Conexión (ø mm)	
	$t_e = -8^\circ\text{C}$	$t_e = -25^\circ\text{C}$	$t_e = -8^\circ\text{C}$	$t_e = -25^\circ\text{C}$				Inlet/ Entrada	Outlet/ Salida
	DT1=8K	DT1=7K	DT1=8K	DT1=7K					
HED 2501 04 4.5D	1.35	0.87	1.17	0.83	4	1.1	12	12	12
HED 2502 08 4.5D	3.02	1.95	2.63	1.86	8	2.4	19	12	12
HED 2503 12 4.5D	4.68	3.03	4.07	2.89	12	3.7	28	12	19
HED 2504 16 4.5D	6.35	4.11	5.52	3.91	16	5.0	36	12	22

*Marks: Optional model without heater available / Nota: Modelo opcional sin el calentador disponible.

*Golden fins with highly anti-corrosion strength available / Aleta goldfin con alta resistencia a la corrosión disponible.

Electric data

Model/ Model	Axial Fans/ Ventilador con motor axial							Electric Defrost/ Desescarche Eléctrico	
	Diameter Diámetro (Φ mm)	Nº	Voltage/ Voltaje (V, 50Hz)	Power/ Potencia (W)	Current/ Intensidad (A)	Air Flow/ Volumen de Aire (m ³ /h)	Air Throw/ Tiro de Aire (m)	Coil/ Aletas (W)	Total (W)
HED 2501 04 4.5D	250	1	1~220V	44	0.20	650	2 × 2	2 × 400	800
HED 2502 08 4.5D	250	2	1~220V	88	0.40	1300	2 × 3	2 × 825	1650
HED 2503 12 4.5D	250	3	1~220V	132	0.60	1950	2 × 4	2 × 1250	2500
HED 2504 16 4.5D	250	4	1~220V	176	0.80	2600	2 × 5	2 × 1575	3150

HED MEDIUM PROFILE SERIES EVAPORATOR

