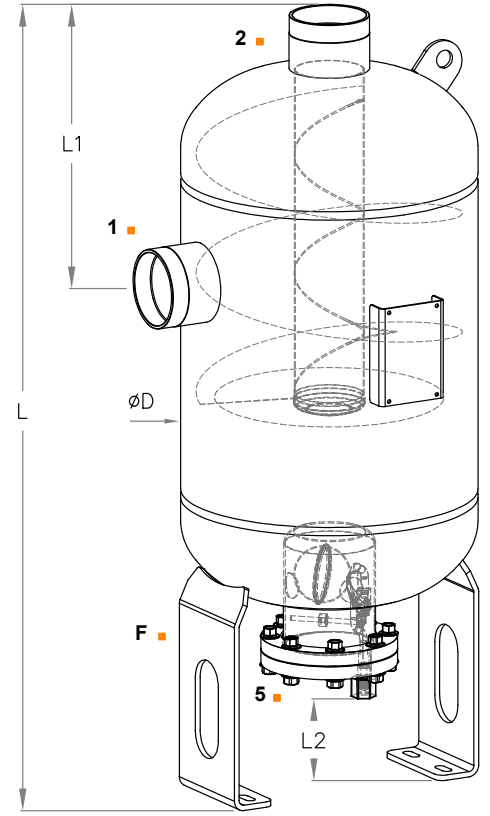


A



B

Technical Specification	Teknik Özellikler	
Working pressure	Çalışma basıncı	[PS] 33 Bar
Min./max. allowable temperature	Min./max. izin verilen sıcaklık	[TS] -10° / 100°C
General tolerance	Genel tolerans	± 5
Epoxy coating	Epoksi boya	RAL 5009
Available fluids	Kullanılabilir akışkanlar	HCFC, HFC, R600A, R290, NH3
Pressure equipment directive	Basıncılı kaplar direktifi	2014/68/EU [PED]

Model	Ø D [mm]	L [mm]	L1 [mm]	L2 [mm]	L3 [mm]	Support [F]	In [mm] [1]	Out [Inch] [2]	Oil Return [Inch] [3]	NPT [Inch] [4]	Flange [5]	Pre-charge qty (l)	Type
OS.HF.33b.16.1	Ø 102	518	88	108	128	V143-080-04	ODS 16	5/8"	3/8"	1/4"	FLC-149-31-00	0,7	A
OS.HF.33b.22.1		580	95				ODS 22	7/8"					
OS.HF.33b.28.1		583	98				ODS 28	1 1/8"					
OS.HF.33b.35.1	Ø 140	625	140	100	170	V228-100-06	ODS 35	1 3/8"	3/8"	1/4"	FLC-149-31-00	0,9	B
OS.HF.33b.42.1		685	140				ODS 42	ODS 42					
OS.HF.33b.54.1		683	140				ODS 54	2 1/8"					
OS.HF.33b.42.2	Ø 219	665	195	100	230	V248-120-06	ODS 42	ODS 42	3/8"	1/4"	FLC-149-31-00	1,1	B
OS.HF.33b.54.2		665	195				ODS 54	2 1/8"					
OS.HF.33b.66.1	Ø 273	785	230	100	248	V248-120-06	ODS 66	2 5/8"	3/8"	1/4"	FLC-149-31-00	1,1	B
OS.HF.33b.80.1	Ø 324	865	280				ODS 80	3 1/8"					

Model	Capacity in kW of Refrigeration at Nominal Evaporator Temperature [°C]						Max. Discharge Volume [m3/hr]	Note
	R404A / 507		R134a		R407F			
	-40 °C	5 °C	-40 °C	5 °C	-40 °C	5 °C		
OS.HF.33b.16.1	15,29	19,70	10,49	12,93	18,37	21,38	6,41	
OS.HF.33b.22.1	23,30	30,03	15,99	19,70	28,00	32,60	9,78	
OS.HF.33b.28.1	30,27	39,00	20,76	25,59	36,37	42,34	12,70	
OS.HF.33b.35.1	41,92	54,03	28,76	35,45	50,38	58,65	17,59	
OS.HF.33b.42.1	52,81	68,06	36,23	44,66	63,47	73,88	22,16	
OS.HF.33b.54.1	86,39	111,33	59,26	73,05	103,81	120,85	36,24	
OS.HF.33b.42.2	84,96	109,49	58,29	71,84	102,10	118,85	35,64	
OS.HF.33b.54.2	111,91	144,22	76,77	94,63	134,48	156,55	46,95	
OS.HF.33b.66.1	227,69	293,43	156,20	192,53	273,62	318,52	95,53	
OS.HF.33b.80.1	360,91	465,11	247,59	305,18	433,70	504,88	151,42	

• All data is for a 40°C condensing temperature.

• Tüm hesaplamalar 40°C kondenzasyon sıcaklığına göre yapılmıştır.