



T-SERIES TAKE-APART THERMOSTATIC EXPANSION VALVES

T-Series take-apart valves with adjustable superheat and replaceable, interchangeable components are ideal for air conditioning, heat pump, and refrigeration applications.

FEATURES

- Take-apart construction for easy field service
- External superheat adjustment
- Bi-directional capability
- Stainless steel power assembly up to 18 tons
- Interchangeable replaceable cages, body flanges, power assemblies
- 1/4 to 100 Tons Capacity

SPECIFICATIONS

Maximum Working Pressure..... 450 psig (31 bar)
 Torque Bolts 300 In. Lbs

MODEL NUMBER NOMENCLATURE - Example: **TCLC 3FC-03**

SERIES	TYPE	NAVY	EQUALIZER	BLEED HOLE	CAPACITY	SYSTEM REFRIGERANT CODE	CHARGE CODE	SEQUENTIAL IDENTIFIER	CUSTOMER SPECIAL	PACK TYPE
T	CL		E		3	F	C	-03		
Take-Apart Adjustable Superheat	CL, JL, JR = Small Capacity (1/2 to 18 Tons R-22) ER, IR, HR, MR = Large Capacity, Balanced Port (22 to 100 Tons R-22)	N= Navy (Omit for Standard)	E = External (Omit for Internal and Omit on Externally Equalized TCLN, TER, THR, TIR, TMR Models)	B = Bleed Hole (Omit for No Bleed Hole)	Nominal Rating in Tons	F = R-12 H = R-22 M = R-134a N = R-407C P = R-507 R = R-502 S = R-404A	AA = Wide Range C = Medium Temp. CA = Heat Pump W(MOP) = Press. Limiting Z = Low Temp.	-01 Thru -999	G = Cust. Special (Omit for Standard)	B1 = Bulk Pack (Omit for Individual Pack)

STEP 1: Select small capacity cage kit

T-SERIES SMALL CAPACITY CAGE KITS

VALVE TYPE	NOMINAL CAPACITY - TONS							MODEL NUMBER	ITEM NUMBER
	R-12	R-134a	R-22	R-404A / R-507	R-407C	R-502	EQUALIZER		
TCL TCLC	1/4	1/4	1/2	1/4	1/2	1/4	Internal	X-22440-B1A	037034
	1/4	1/4	1/2	1/4	1/2	1/4	External	X-22440-B1B	037035
	1/2	3/4	1	1/2	1	1/2	Internal	X-22440-B2A	037036
	1/2	3/4	1	1/2	1	1/2	External	X-22440-B2B	037037
	1	1-1/5	2	1	2	1	Internal	X-22440-B3A	037038
	1	1-1/2	2	1	2	1	External	X-22440-B3B	037039
	2	2-1/2	3	2	3	2	Internal	X-22440-B4A	037040
	2	2-1/2	3	2	3	2	External	X-22440-B4B	037041
	3	3-1/2	5	3	5	3	External	X-22440-B5B	037043
	4	5-1/2	7-1/2	4-1/2	7-1/2	4-1/2	External	X-22440-B6B	037045
	6-1/2	7-1/2	10	7	10	7	External	X-22440-B7B	037047
7-1/2	9	12	8	12	8	External	X-22440-B8B	037049	
TJLE	7	9	11	7	11	7	External	XC-724-B4B	093343
	8	11	14	9	14	9	External	XC-724-B5B	038699
TJR	8	11	14	9	14	9	External	X-11873-B4B	088837
	11	13	18	12	18	12	External	X-11873-B5B	089058

Gasket strip X13455-1 (ITEM NUMBER 027579) replaces all older T-Series Gasket kits.

STEP 2: Select Small Capacity Flange

T-SERIES SMALL CAPACITY FLANGES

VALVE TYPE	CONFIGURATION	INLET CONNECTION	OUTLET CONNECTION	MODEL NUMBER	ITEM NUMBER
TCL,TCLE	Angle	3/8" SAE	1/2" SAE	C-500-4	056932
TCL,TCLE	Angle	3/8" SAE	5/8" SAE	C-500-5	057153
TCL,TCLE	Angle	1/2" SAE	5/8" SAE	C-500-6	056294
TCL,TCLE	Angle	3/8" ODF	1/2" ODF	C-501-4	065527
TCL,TCLE	Angle	3/8" ODF	5/8" ODF	C-501-5	065748
TCL,TCLE	Angle	1/2" ODF	5/8" ODF	C-501-7	065861
TCL,TCLE	Angle	5/8" ODF or 7/8" ODM	7/8" ODF or 1-1/8" ODM	A576	027764
TCL,TCLE	Straight Thru	3/8" SAE	1/2" SAE	X-6669-4	051176
TCL,TCLE	Straight Thru	3/8" SAE	5/8" SAE	X-6669-1	050563
TCL,TCLE	Straight Thru	1/2" SAE	1/2" SAE	X-6669-5	083378
TCL,TCLE	Straight Thru	1/2" SAE	5/8" SAE	X-6669-2	050842
TCL,TCLE	Straight Thru	3/8" ODF	1/2" ODF	9761-5	027769
TCL,TCLE	Straight Thru	3/8" ODF	5/8" ODF	9761-3	027771
TCL,TCLE	Straight Thru	1/2" ODF	1/2" ODF	9761-9	027766
TCL,TCLE	Straight Thru	1/2" ODF	5/8" ODF	9761-4	027268
TCL,TCLE	Straight Thru	1/2" ODF	7/8" ODF	9761-2	027770
TCL,TCLE	Straight Thru	5/8" ODF	5/8" ODF	X-6346-16	044733
TCL,TCLE	Straight Thru	5/8" ODF	7/8" ODF	X-6346-17	044846
TCL,TCLE	Straight Thru	5/8" ODF	1-1/8" ODF	X-6346-18	094038
TCL,TCLE	Straight Thru	7/8" ODF	1-1/8" ODF	X-6346-34	071757
TJLE	Angle	5/8" ODF or 7/8" ODM	7/8" ODF or 1-1/8" ODM	B504	044984
TJLE	Straight Thru	5/8" ODF	1-1/8" ODF	X-6347-2	094289
TJLE	Straight Thru	7/8" ODF	1-1/8" ODF	X-6347-6	057210
TJLE	Straight Thru	7/8" ODF	1-3/8" ODF	X-6347-7	057323
TJR	Angle	7/8" ODF or 1-1/8" ODM	7/8" ODF or 1-1/8" ODM	10331	029411
TJR	Straight Thru	7/8" ODF or 1-1/8" ODM	7/8" ODF or 1-1/8" ODM	10332	032988

STEP 3: Select Power Assembly

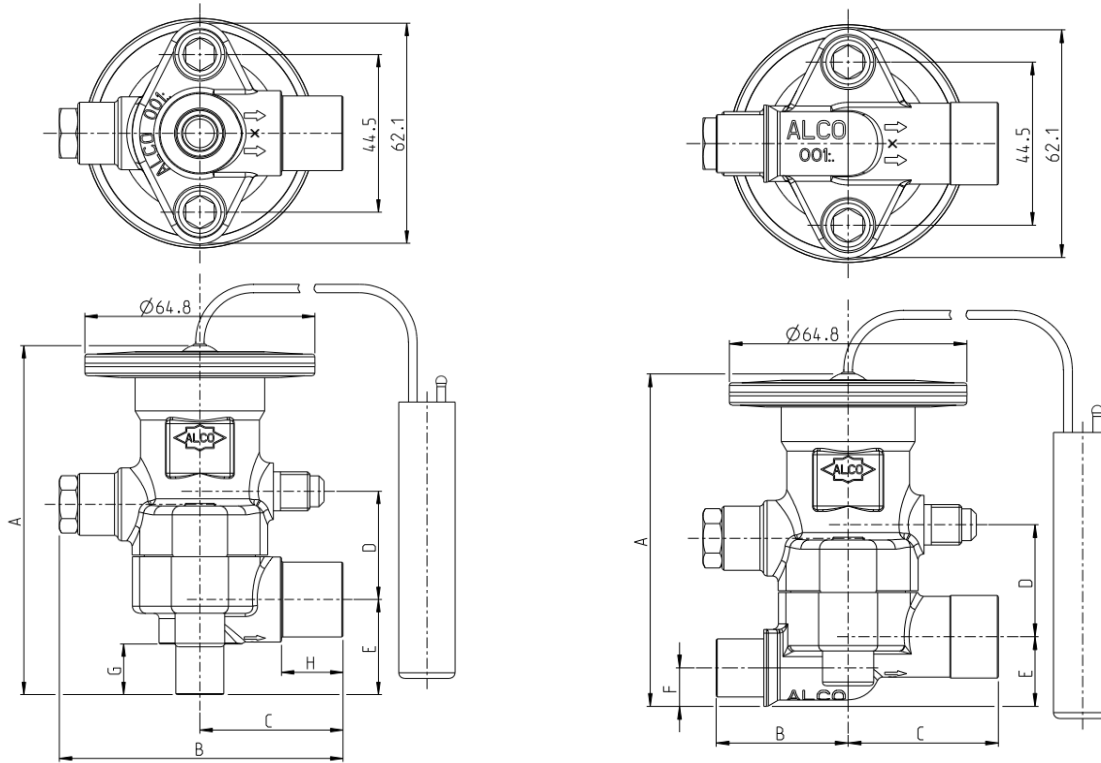
POWER ASSEMBLY MODEL NOMENCLATURE - Example: XB-1019FC-1A

PRINT REFERENCE	SYSTEM REFRIGERANT CODE	CHARGE CODE	CAPILLARY TUBE LENGTH CODE	EQUALIZER
XB-1019	F	C	1	A
XB-1019 = Drawing Number	F = R-12 H = R-22 M = R-134a N = R-407C P = R-507 R = R-502 S = R-404A	A = Medium & Low Temp. AA = Wide Range C = Medium Temp. CA = Heat Pump W(MOP) = Press. Limiting Z = Low Temp.	1 = 5 Ft. 2 = 10 Ft. 3 = 15 Ft.	A = Internal B = External

T-SERIES SMALL POWER ASSEMBLIES

VALVE TYPE	SYSTEM REFRIGERANT CODE	CHARGE CODE	CAP LENGTH	EQUALIZER	MODEL NUMBER	ITEM NUMBER
TCL, TCLE, TJLE, TJR	F (R-12)	W15 (MOP)	5 Ft.	External	XB-1019FW15-1B	077063
	F (R-12)	W35 (MOP)	5 Ft.	External	XB-1019FW35-1B	079346
	F (R-12)	W55 (MOP)	10 Ft.	External	XB-1019FW55-2B	050981
	F (R-12)	W55 (MOP)	5 Ft.	External	XB-1019FW55-1B	057432
	F (R-12)	C (Med. Temp.)	10 Ft.	Internal	XB-1019FC-2A	032374
	F (R-12)	C (Med. Temp.)	10 Ft.	External	XB-1019FC-2B	052954
	F (R-12)	C (Med. Temp.)	15 Ft.	External	XB-1019FC-3B	058569
	F (R-12)	C (Med. Temp.)	5 Ft.	Internal	XB-1019FC-1A	052951
	F (R-12)	C (Med. Temp.)	5 Ft.	External	XB-1019FC-1B	049881
	H (R-22)	W100 (MOP)	10 Ft.	External	XB-1019HW100-2B	062658
H (R-22)	W100 (MOP)	5 Ft.	External	XB-1019HW100-1B	062437	

Dimensions TCLE/LCLE / XB1019 (mm)



Angle Style Flanges TCLE/LCLE

Connections		Lay-in length		A	B	C	D	E	F	G	H	Weight kg
		Inlet	Outlet									
3/8	1/2 SAE			106	78	39	30	29	65861+	27	29	1,1
3/8	5/8 SAE			106				29				
1/2	5/8 SAE			113				35				
10	12 ODF	14	17	105	77	37		27				
10	16 ODF	14	21	105	80	40		-				
12	16 ODF	18	21	108	80	40		-				
16	22 ODF	21	25	124	90	51	43					
3/8	1/2 ODF	14	17	105	77	37	27					
3/8	5/8 ODF	14	21	105	80	40	27					
1/2	5/8 ODF	18	21	108	80	40	30					
5/8	7/8 ODF	21	25	124	90	51	34	43		27	29	1,2

Straight through Flanges TCLE/LCLE

3/8	1/2 SAE			95	45	50	31	17	10	9	1,1
3/8	5/8 SAE				45	55					
1/2	5/8 SAE				50	55					
10	12 ODF	8	10	95	36	40	31	17	9	1,1	
10	16 ODF	8	13			41					
12	16 ODF	10	13			41					
3/8	1/2 ODF	8	10	97	36	40	31	17	9	1,1	
3/8	1/2 ODF	8	13			41					
1/2	1/2 ODF	10	10			40					
1/2	5/8 ODF	10	13	95	41	41	33	10	1,15		
1/2	7/8 ODF	10	19			49					
5/8	5/8 ODF	13	13			41					
5/8	7/8 ODF	13	19	95	41	49	33	10	1,15		
5/8	1-18 ODF	19	13	98	49	60					
5/8	1-18 ODF	19	13	98	49	60					