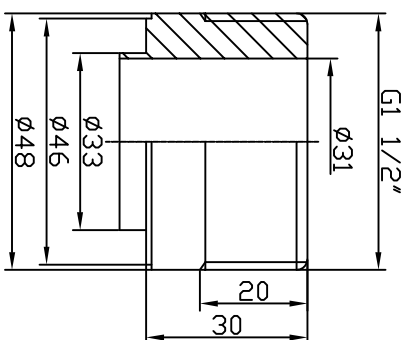
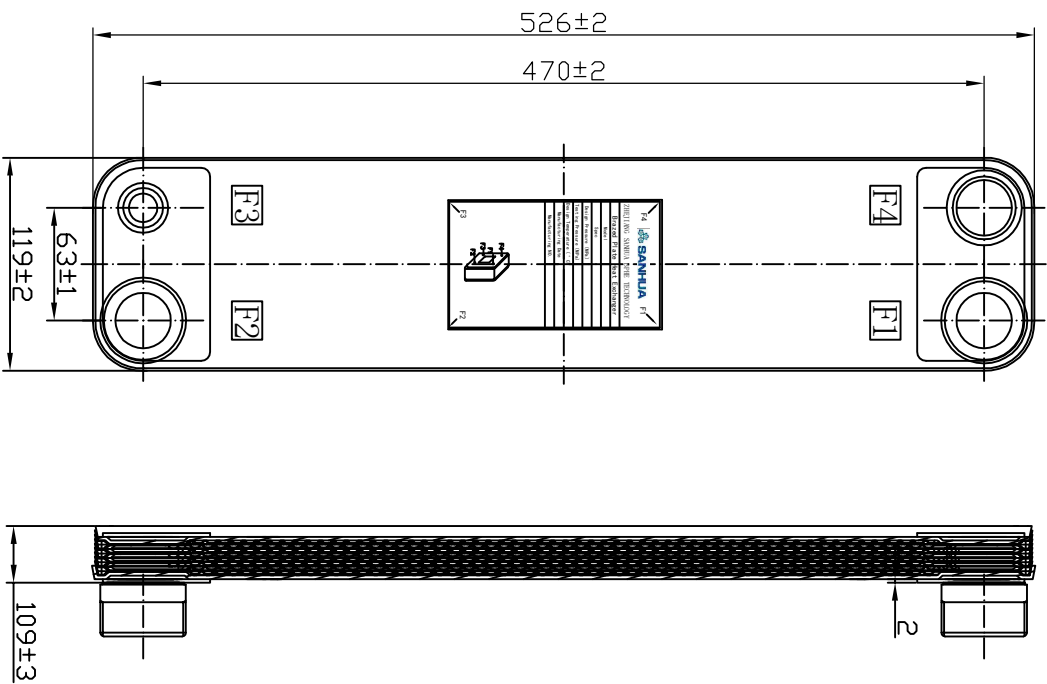


Revision NO.

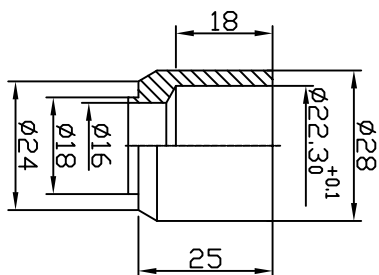
Revision description

Date



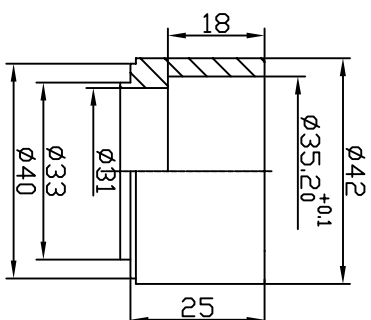
F1 F2

JG-135-03



F3

JG-185-03

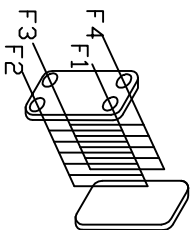
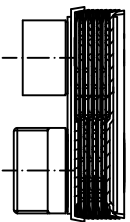


F4

JG-070T-03

TECHNICAL DATA

1. This product is designed, manufactured and inspected according to JB/T8701-2018 standard;
2. F1F2side:Max working pressure 3.0MPa; Max testing pressure 4.5MPa; F3F4side:Max working pressure 4.5MPa; Max testing pressure 6.75MPa;
3. Design temperature: -196 to 225°C;
4. Plate material: SUS316L;



Model S60BH-50HZ

Designer: TD

Remark:

Verify:

Version No.:

Date: 2023/02/01 Ratio: 1:1

ZHEJIANG SANHUA BPHE TECHNOLOGY

Drawing No:

T2171-644

 JX-060B-50HZ-4.5-
 F1F2(G1"1/2)F3(H7/8")
 F4(H1"3/8)