

# PL20F Standard Compressor R134a 220-240V 50Hz

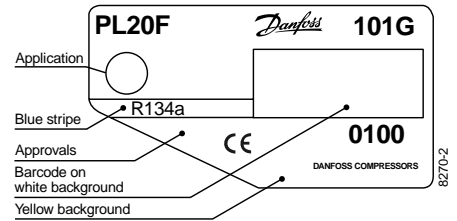
Data Sheet (Replaces CD.41.B8.02)

## General

Compressor	<b>PL20F</b>
Code number	101G0100

## Application

Application		MBP
Evaporating temperature range	°C	-25 to 0
Voltage range	V/Hz	198 - 254 /50
Motor type		RSIR
Max. ambient temperature	°C	38
Comp. cooling at ambient temp.	32°C	S
	38°C	S



- S = Static cooling normally sufficient
- O = Oil cooling
- F<sub>1</sub> = Fan cooling 1.5 m/s  
(compressor compartment temperature equal to ambient temperature)
- F<sub>2</sub> = Fan cooling 3.0 m/s necessary

## Design

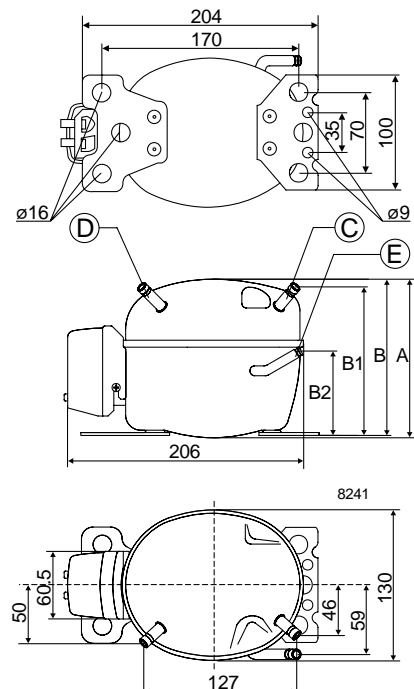
Displacement	cm <sup>3</sup>	1.41
Oil quantity	cm <sup>3</sup>	150
Maximum refrigerant charge	g	300
Free gas vol. in compressor	cm <sup>3</sup>	800
Weight without electrical equipment	kg	3.8

## Motor

Motor size	watt	29
LRA (rated after 4 sec. UL984) LST	A	1.2
Cut-in current LST	A	5.7
Resistance, main and start winding (25°C)	Ω	84.0/19.0
Approvals		EN 60335-2-34 with Annex AA

## Dimensions

Height	mm	A	129
		B	127
		B1	120
		B2	73
Suction connector	location/I.D. mm	C	6.2 ±0.09
Process connector	location/I.D. mm	D	6.2 ±0.09
Discharge connector	location/I.D. mm	E	5.0 +0.12/+0.20
Compressors on a pallet	pcs.		150



### Capacity (EN 12900/CECOMAF)

watt

Comp. °C	-25	-23.3	-20	-15	-10	-5	0
PL20F	16.0	19.0	25.4	36.5	49.6	64.9	82.6

### Capacity (ASHRAE)

watt

Comp. °C	-25	-23.3	-20	-15	-10	-5	0
PL20F	19.7	23.4	31.3	45.0	61.3	80.3	102

### Power consumption

watt

Comp. °C	-25	-23.3	-20	-15	-10	-5	0
PL20F	42.0	43.4	46.4	51.5	57.2	63.3	69.7

### Current consumption

A

Comp. °C	-25	-23.3	-20	-15	-10	-5	0
PL20F	0.35	0.35	0.36	0.37	0.39	0.41	0.43

### COP (EN 12900/CECOMAF)

W/W

Comp. °C	-25	-23.3	-20	-15	-10	-5	0
PL20F	0.38	0.44	0.55	0.71	0.87	1.03	1.19

### COP (ASHRAE)

W/W

Comp. °C	-25	-23.3	-20	-15	-10	-5	0
PL20F	0.47	0.54	0.67	0.87	1.07	1.27	1.47

Test conditions

Condensing temperature

Ambient and suction gas temp.

Liquid temperature

Static cooling, 220V 50Hz,

PTC consumption incl.

EN 12900/CECOMAF

55°C

32°C

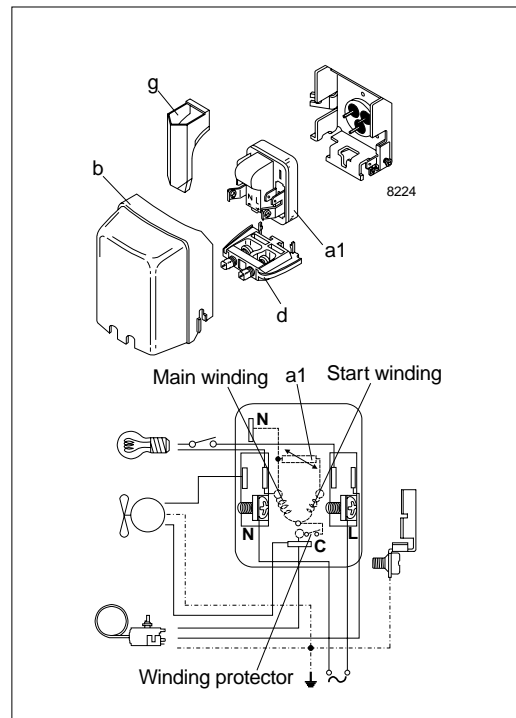
55°C

ASHRAE

55°C

32°C

32°C



### Accessories

Devices	Fig.	PL20F
PTC starting device 6.3 mm spades 4.8 mm spades	a1	103N0011 103N0018
Cover	b	103N0491
Cord relief	d	103N1010
Protection screen for PTC	g	103N0476
Mounting accessories		
Bolt joint for one compressor		118-1917
Bolt joint in quantities		118-1918
Snap-on in quantities		118-1919