

NL10FT Tropical Compressor R134a 220-240V 50Hz

Data Sheet (Replaces CG.43.I2.02)

General

Compressor	NL10FT
Code number	105G6829
Code number compressor with oil cooler	105G6839

Application

Application	LBP	
Evaporating temperature range	°C	-35 to -10
Voltage range	V/Hz	187 - 254 /50
Motor type	RSIR*)	
Max. ambient temperature	°C	43
Comp. cooling at ambient temp.	32°C	S
	38°C	O/F ₁
	43°C	O/F ₁

*) In capillary tube systems where non-equalized pressures may occur at compressor start, or in areas with short power supply drop-outs, a starting capacitor can be used for ensuring a successful start (CSIR).

Design

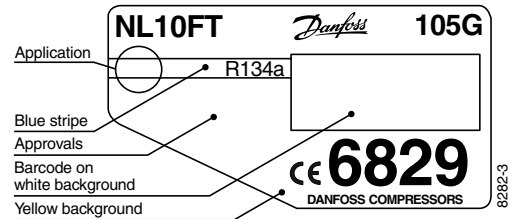
Displacement	cm ³	10.10
Oil quantity	cm ³	320
Maximum refrigerant charge	g	400
Free gas vol. in compressor	cm ³	2360
Weight without electrical equipment	kg	10.5

Motor

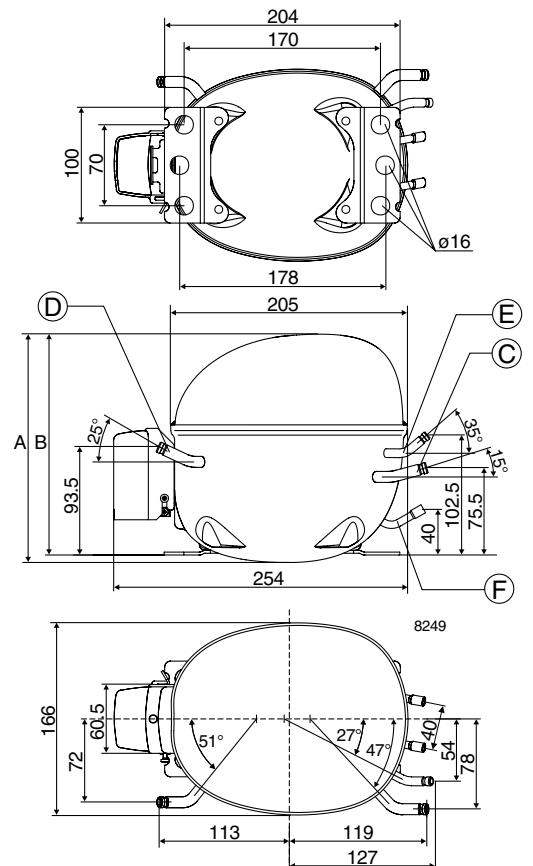
Motor size	watt	235
LRA (rated after 4 sec. UL984) LST/HST	A	9.2/10.4
Cut-in current LST/HST	A	13.6/10.4
Resistance, main and start winding (25°C)	Ω	8.2/14.7
Approvals	EN 60335-2-34, CCIB	

Dimensions

Height	mm	A	203
		B	197
Suction connector	location/I.D. mm	C	8.2 ±0.09
Process connector	location/I.D. mm	D	6.2 ±0.09
Discharge connector	location/I.D. mm	E	6.2 ±0.09
Oil cooler	location/I.D. mm	F	6.2 ±0.09
Compressors on a pallet	pcs.	80	



- S = Static cooling normally sufficient
- O = Oil cooling
- F₁ = Fan cooling 1.5 m/s
(compressor compartment temperature equal to ambient temperature)
- F₂ = Fan cooling 3.0 m/s necessary



Capacity (EN 12900/CECOMAF)

watt

Comp. \ °C	-35	-30	-25	-23.3	-20	-15	-10
NL10FT	113	158	213	235	281	361	455

Capacity (ASHRAE)

watt

Comp. \ °C	-35	-30	-25	-23.3	-20	-15	-10
NL10FT	138	194	262	289	345	445	561

Power consumption

watt

Comp. \ °C	-35	-30	-25	-23.3	-20	-15	-10
NL10FT	159	184	217	229	254	292	327

Current consumption

A

Comp. \ °C	-35	-30	-25	-23.3	-20	-15	-10
NL10FT	1.33	1.39	1.48	1.52	1.60	1.74	1.88

COP (EN 12900/CECOMAF)

W/W

Comp. \ °C	-35	-30	-25	-23.3	-20	-15	-10
NL10FT	0.71	0.85	0.98	1.02	1.10	1.24	1.39

COP (ASHRAE)

W/W

Comp. \ °C	-35	-30	-25	-23.3	-20	-15	-10
NL10FT	0.87	1.05	1.21	1.26	1.36	1.52	1.71

Test conditions	EN 12900/CECOMAF	ASHRAE
Condensing temperature	55°C	55°C
Ambient and suction gas temp.	32°C	32°C
Liquid temperature	55°C	32°C
Static cooling, 220V 50Hz, PTC consumption incl.		

Accessories

Devices	Fig.	NL10FT
PTC starting device	6.3 mm spades	103N0011
	4.8 mm spades	103N0018
Starting relay	a2	117U6002
Cover	b	103N2010
Starting capacitor 80 µF	c	117U5015
Cord relief	d	103N1010
Protection screen for PTC	g	103N0476
Mounting accessories		
Bolt joint for one compressor		118-1917
Bolt joint in quantities		118-1918
Snap-on in quantities		118-1919

