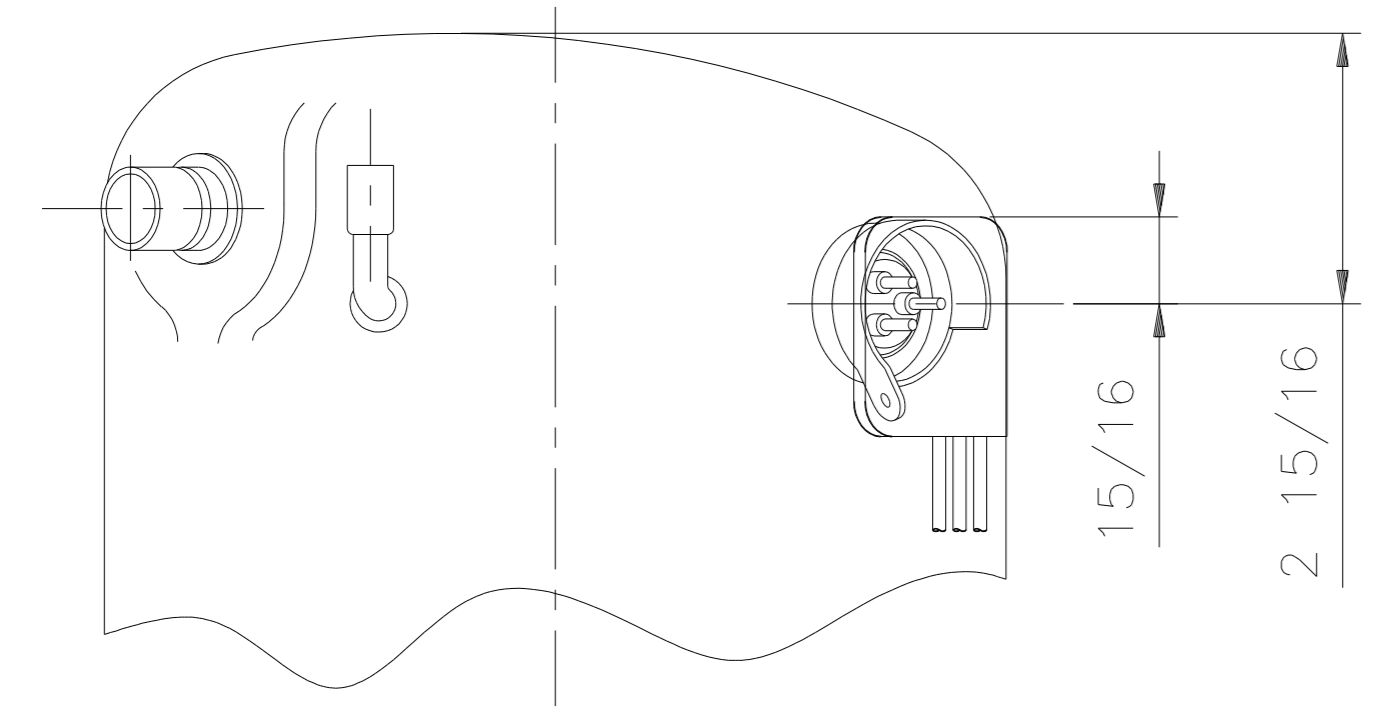
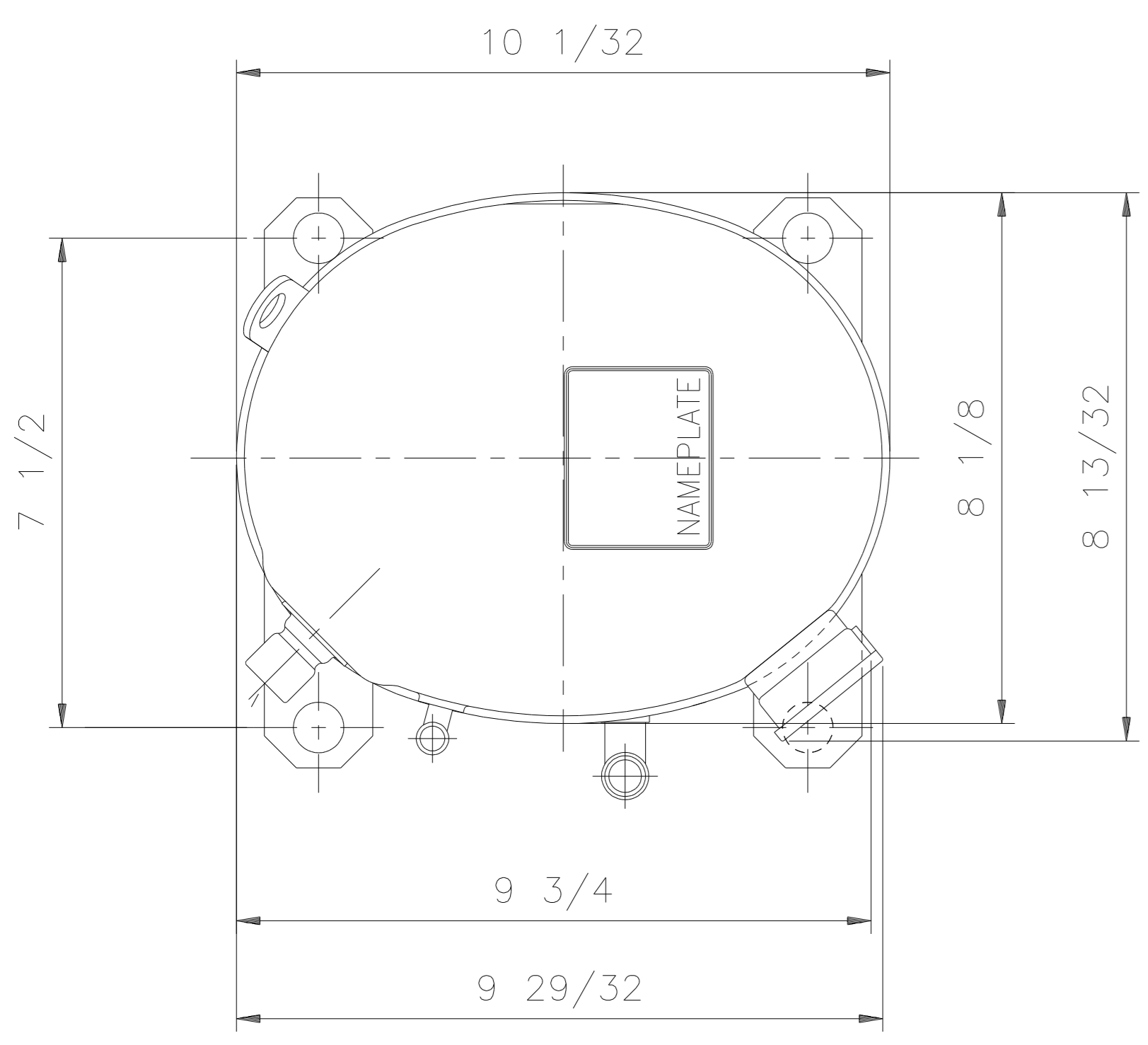
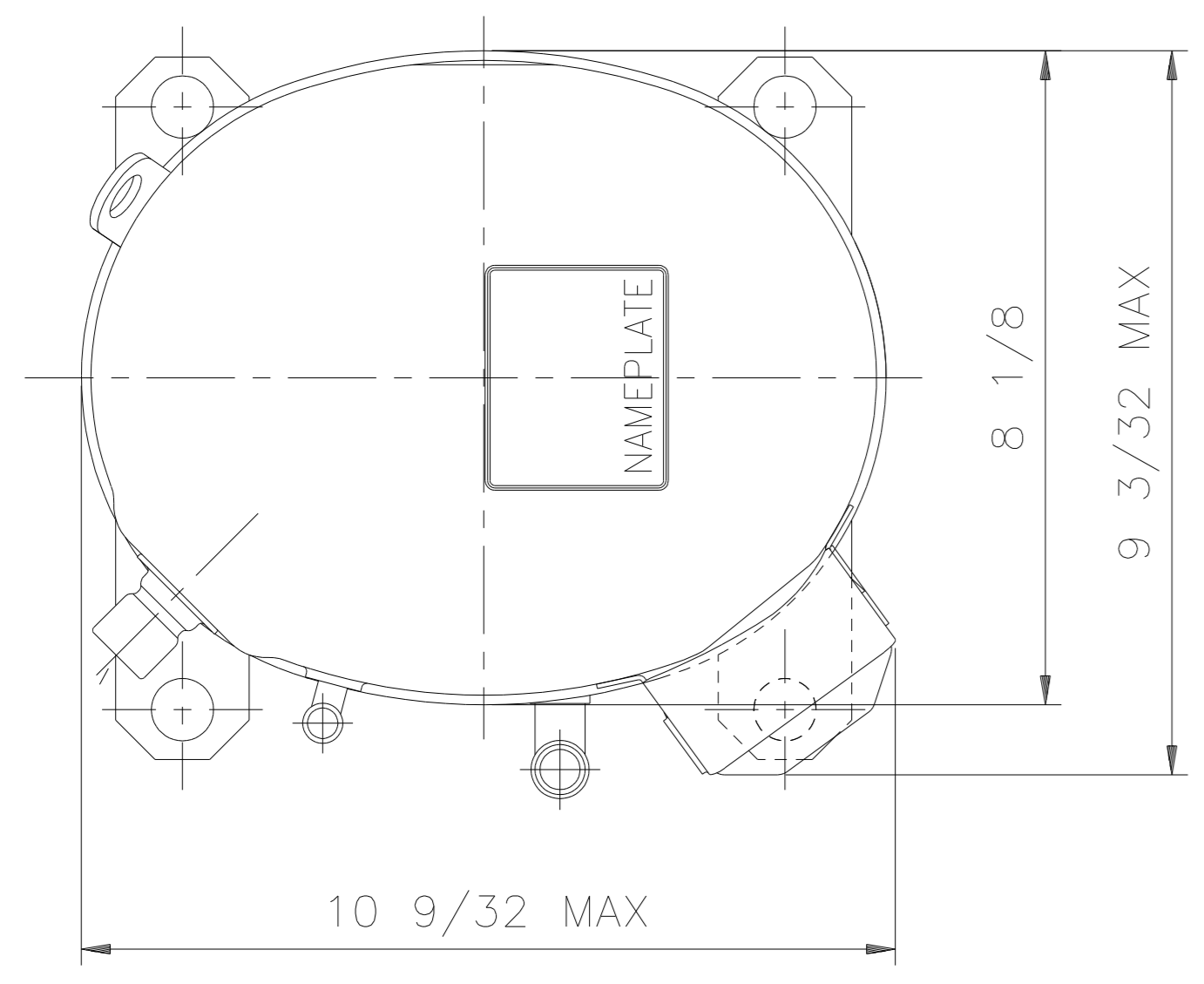


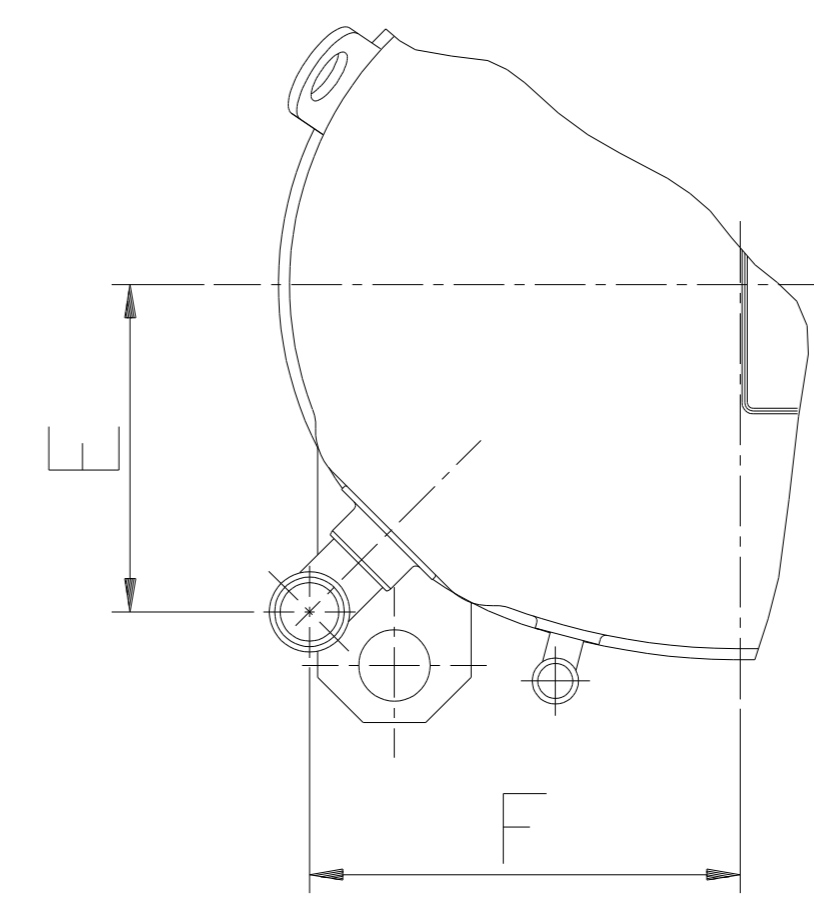
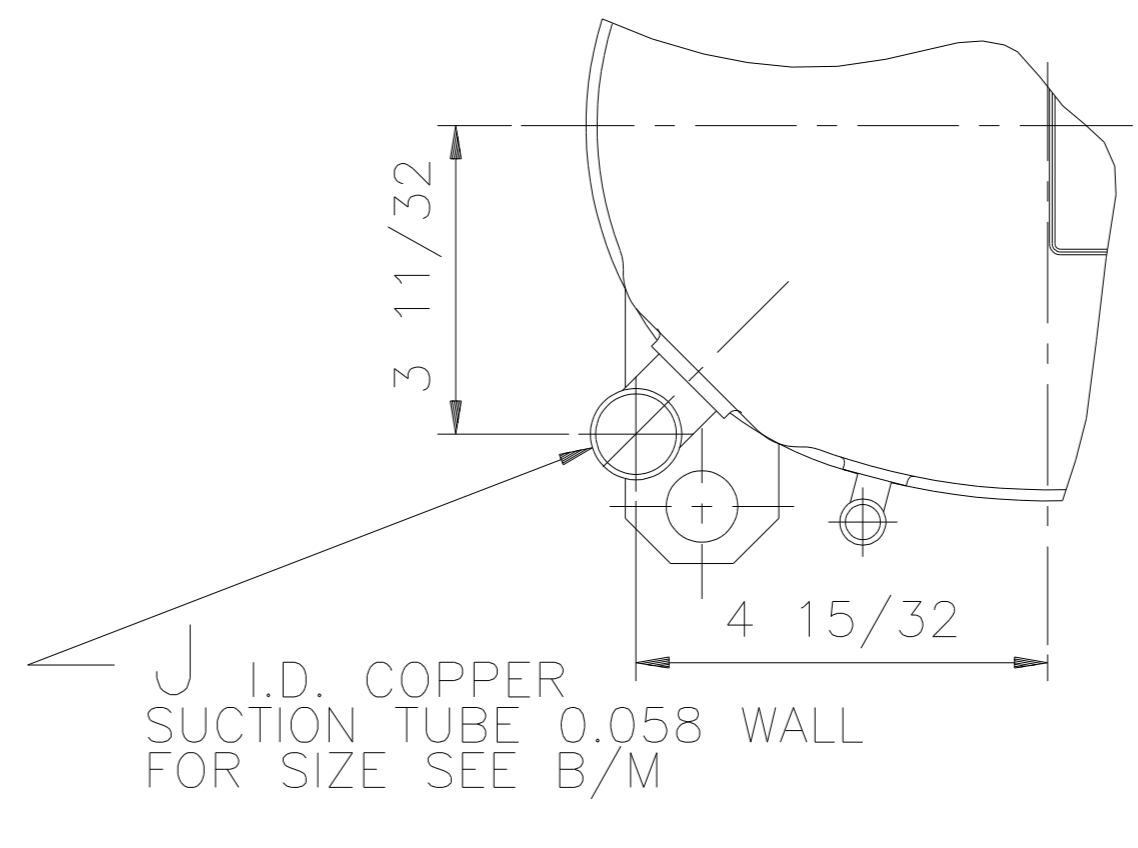
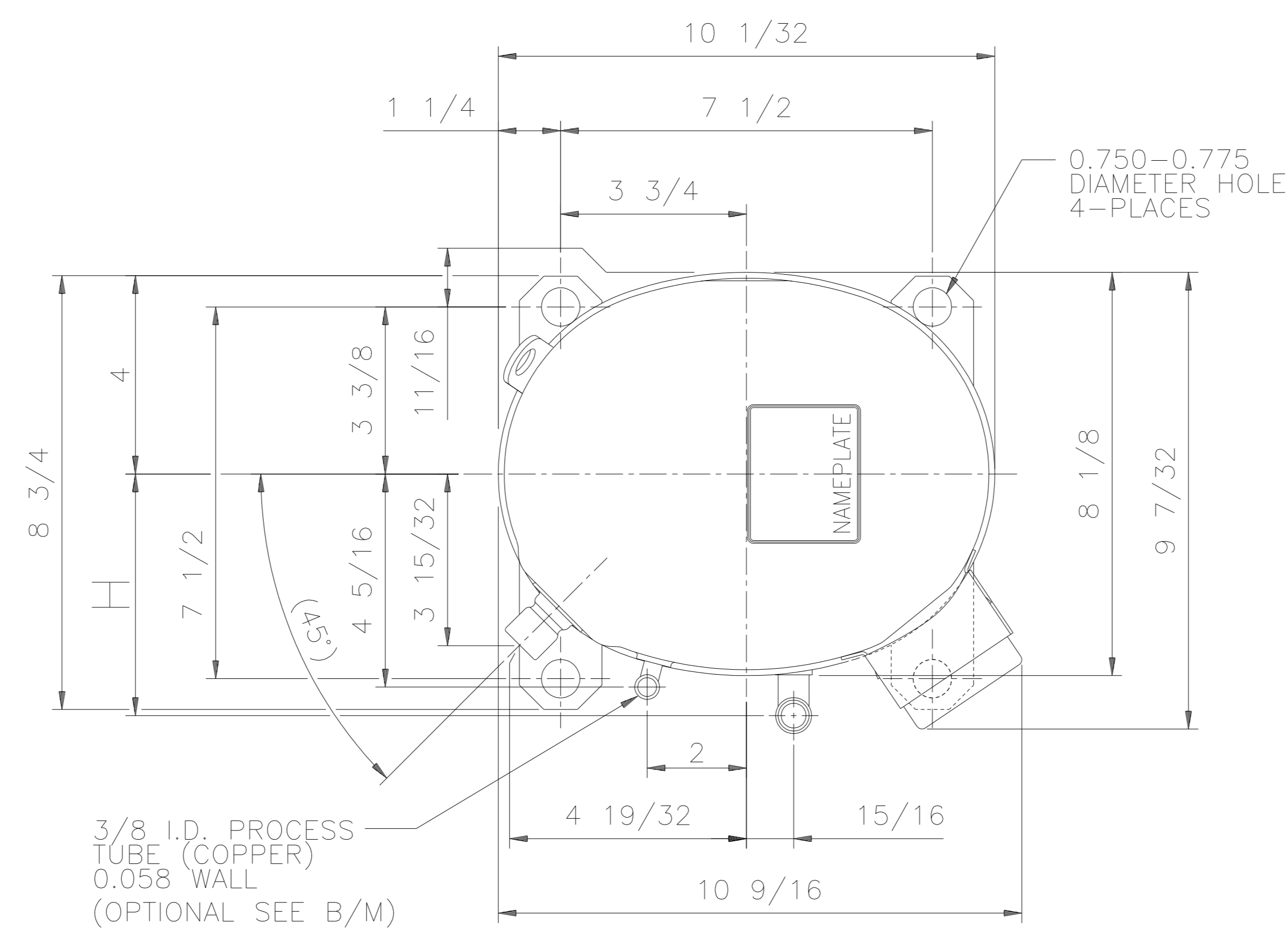
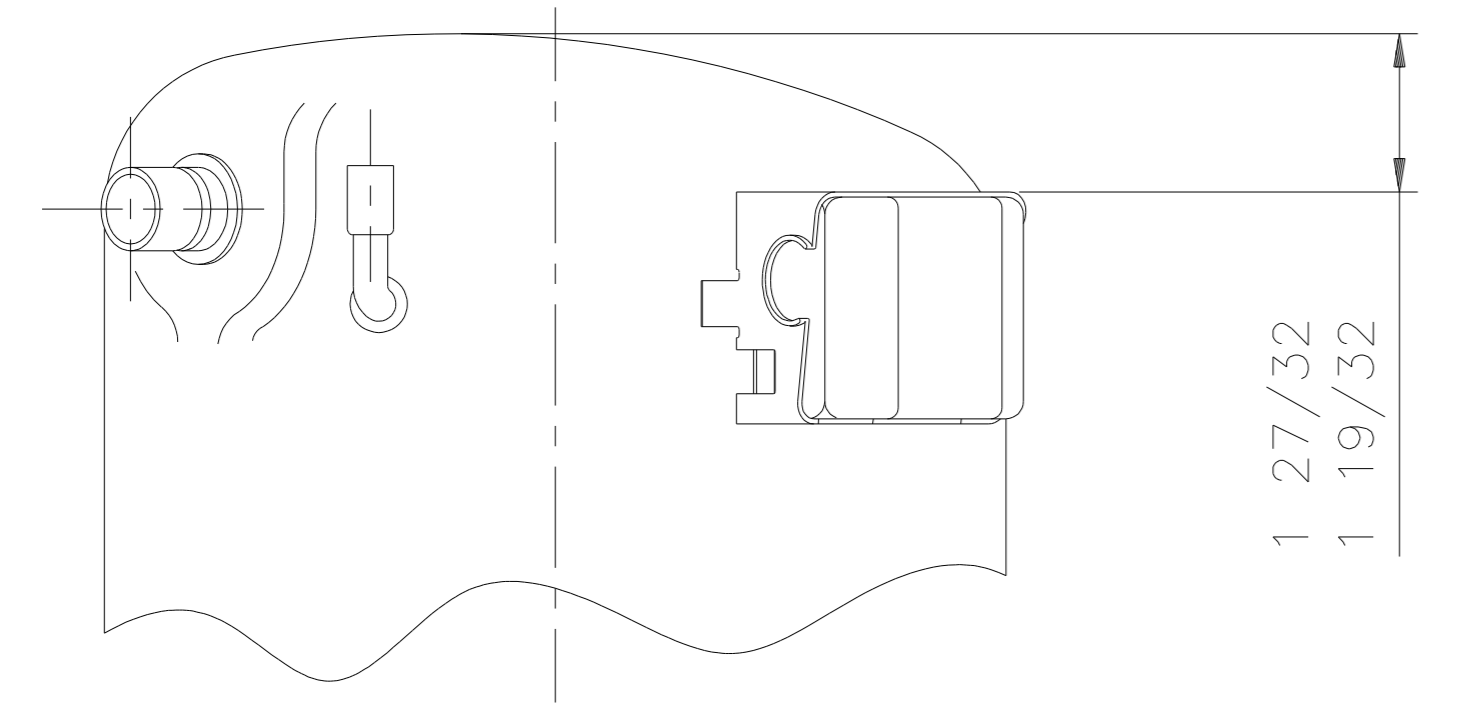
SPECIFICATIONS	
ES NO.	DESCRIPTION
ES92-155	CONVERSION-METRIC



MOLDED PLUG DESIGN FOR USE WITH POWER CABLE ASSEMBLY

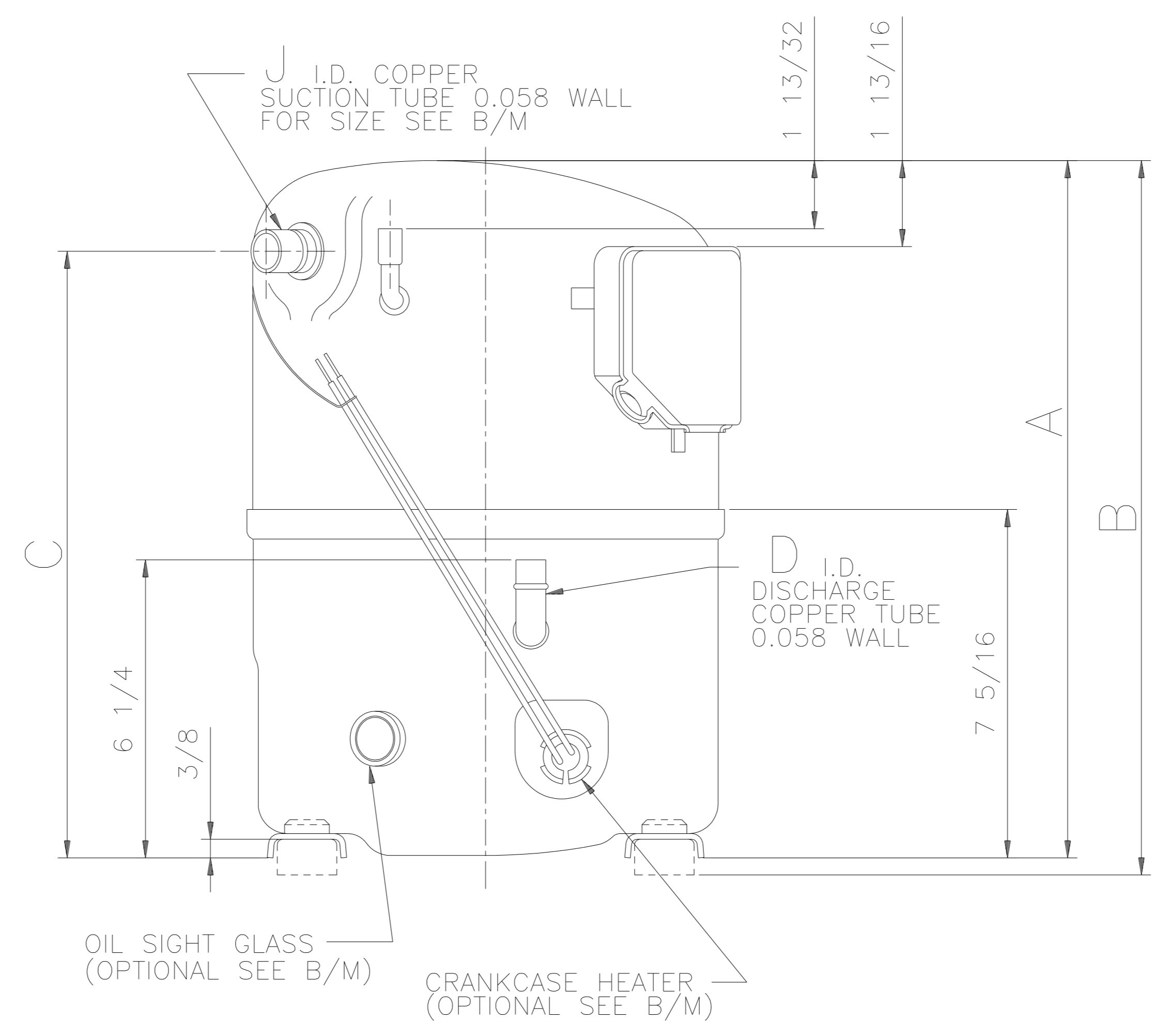
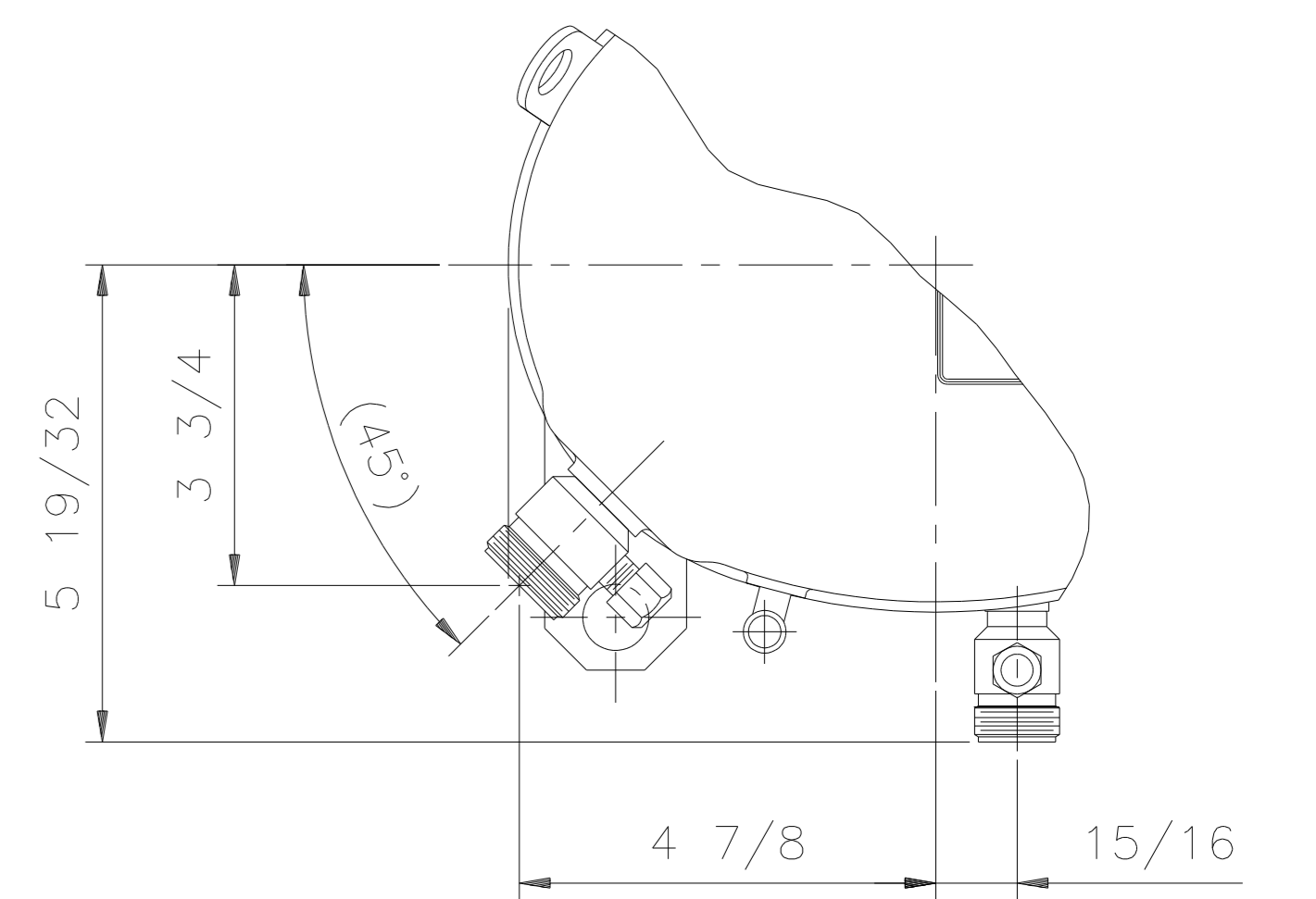


STANDARD SQUARE FENCE DESIGN

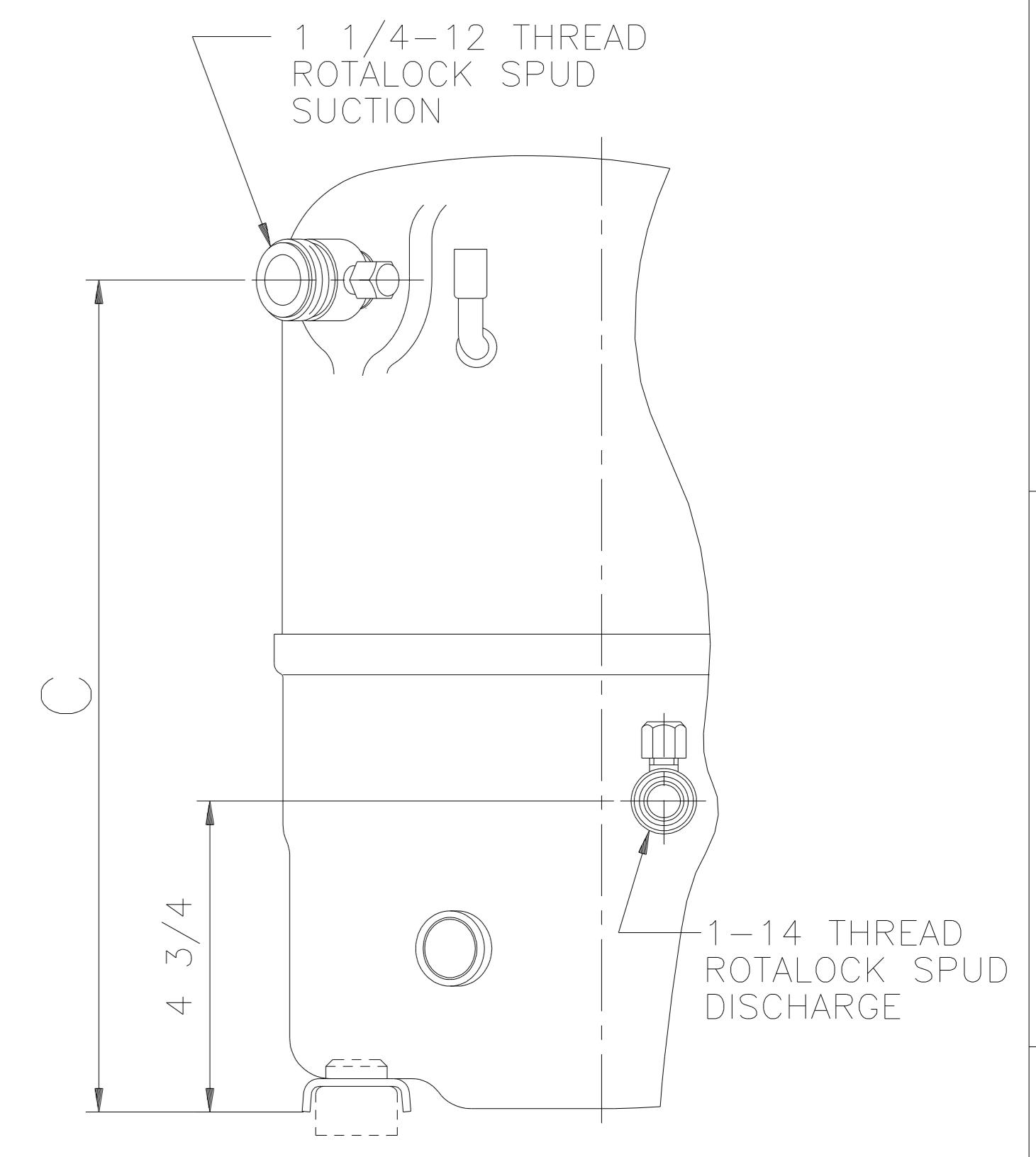
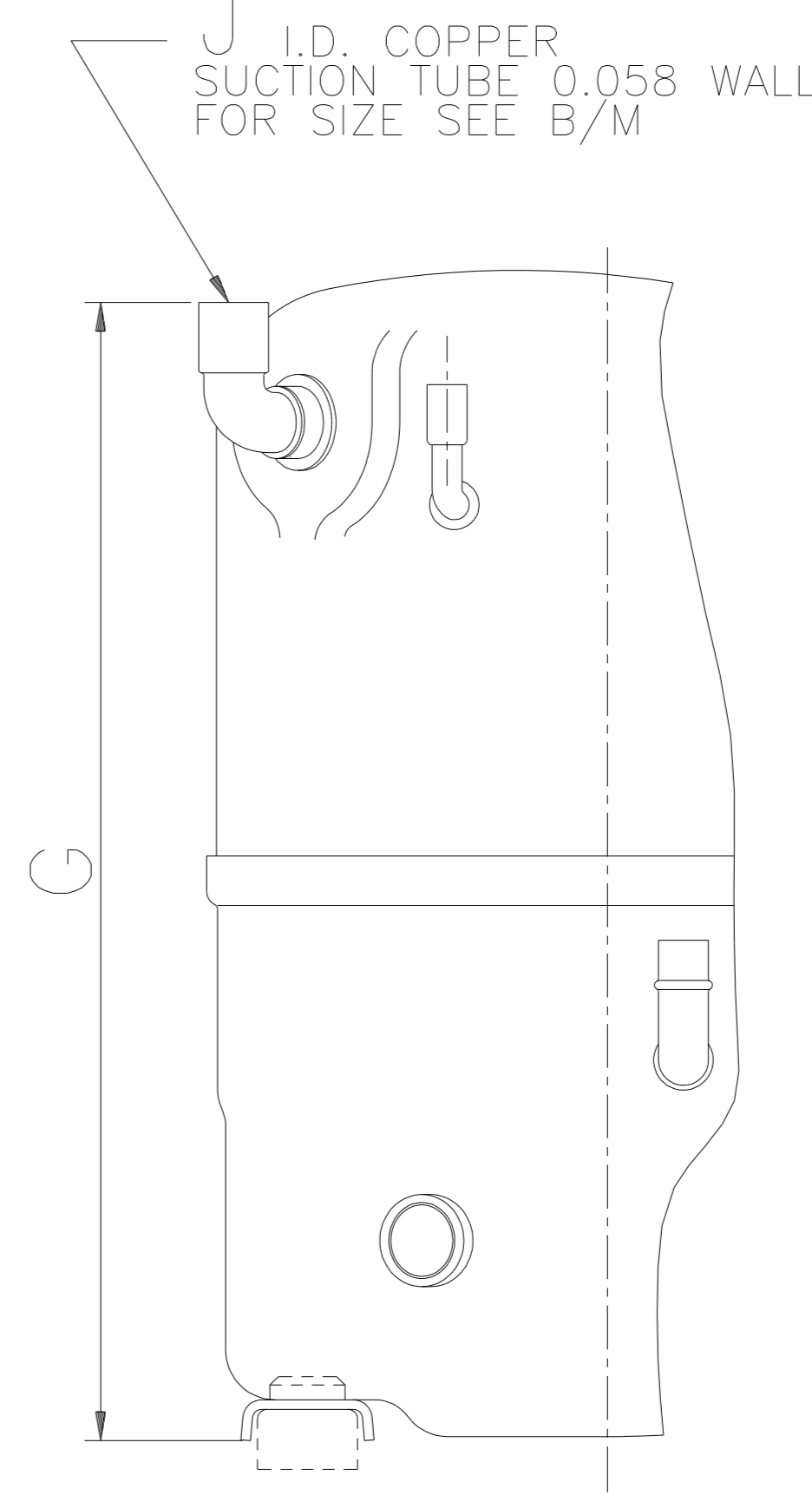


- NOTES:
- TOLERANCES TO BE ± 0.062 UNLESS OTHERWISE SPECIFIED.
 - TUBE ENDS MUST BE PLUGGED.
 - FOR OTHER MOUNTING ARRANGEMENTS SEE 495-3257-00.

DUE TO ACCUMULATED ASSEMBLY TOLERANCES THE LISTED COMPONENTS MAY VARY FROM THE MOUNTING HOLES AS TABULATED.		FITTING ID TOLERANCE
DISCHARGE TUBE	± 0.125	± 0.005
SUCTION TUBE	± 0.187	± 0.005
PROCESS TUBE	± 0.187	N/A



LARGE FENCE DESIGN OFFERED ON CS33K6E OR CR53KQ MODELS



INTERPRET PER ASME Y14.5M-1994 AND EMERSON CLIMATE TECHNOLOGIES, INC. DESIGN STANDARDS DS2002
DO NOT SCALE DRAWING
THIRD ANGLE PROJECTION
UNLESS OTHERWISE SPECIFIED DIMENSIONS ARE INCH OR (MILLIMETER)
TOLERANCES:
2-PLACE \pm
3-PLACE \pm
ANGULAR \pm N/A

REV. NO.	REV. NO.	REVISIONS	DATE	BY	CHKD	APPR
32-0108-036	63	ADDED CS13/16K6E-PPV & REDRAWN	1/15/08	BH	BAH	RM
34-0606-019	62	REDRAWN WITH CHANGES	02-09-07	BF	CHK	
32-0100-033	53	RELEASE SHEET 6 CS33K6E-TFD	07-27-00	KJG		

ENG NOTICE NO. 3

CONFIDENTIALITY NOTICE
THIS DRAWING AND INFORMATION CONTAINED HEREIN ARE THE EXCLUSIVE PROPERTY OF EMERSON CLIMATE TECHNOLOGIES, INC. AND SHALL BE RETURNED UPON DEMAND AND SHALL NOT BE REPRODUCED IN WHOLE OR IN PART TO ANYONE ELSE OR USED, WITHOUT THE WRITTEN CONSENT OF EMERSON CLIMATE TECHNOLOGIES, INC.

MATERIAL SPECIFICATION: N/A

DRAWN BY: DJB
DATE: 02-09-07

SUPERSEDES DWG. NO. / REV. NO.: 497-2548-00 SHT 5 / 61
SCALE: NONE
DATE FORMAT: MM-DD-YY

TITLE: REF DWG - WELD COMP ASSSM
DRAWING NUMBER: 497-2548-00
SHEET 2 OF 2