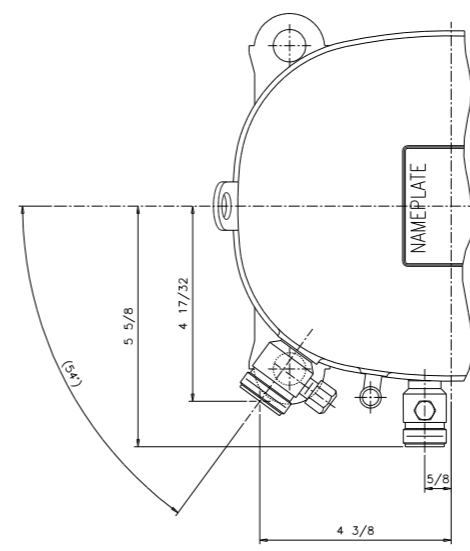
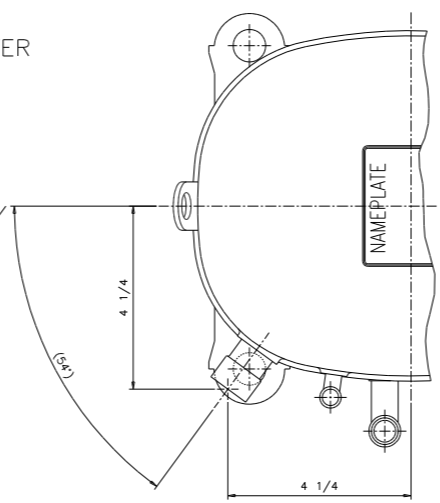
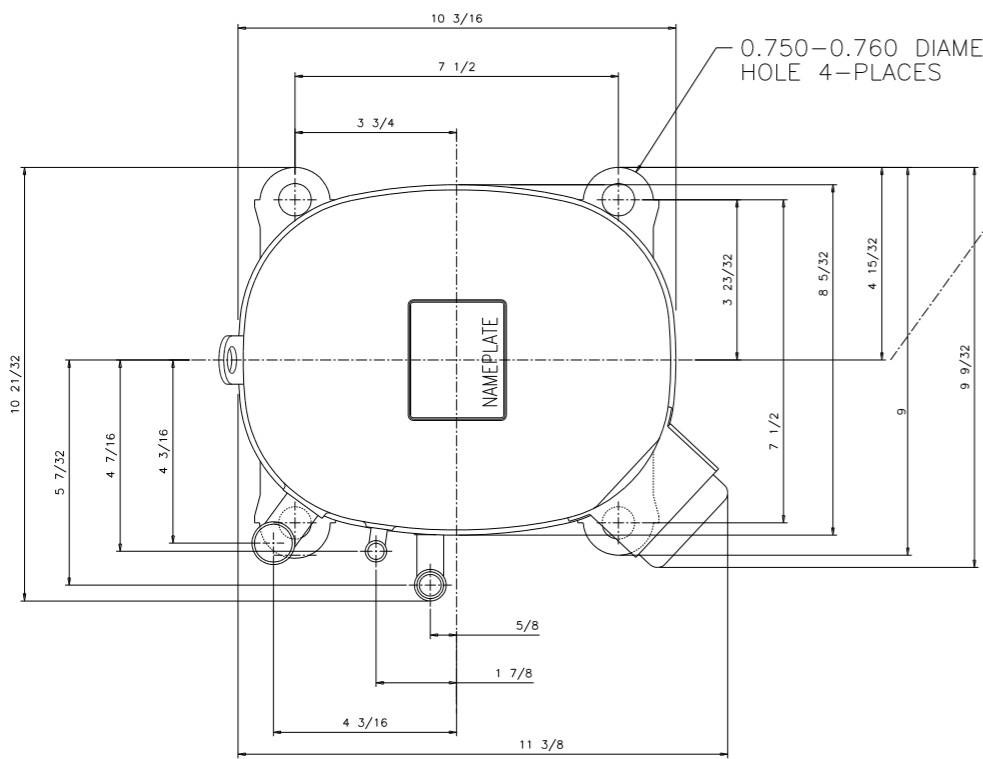
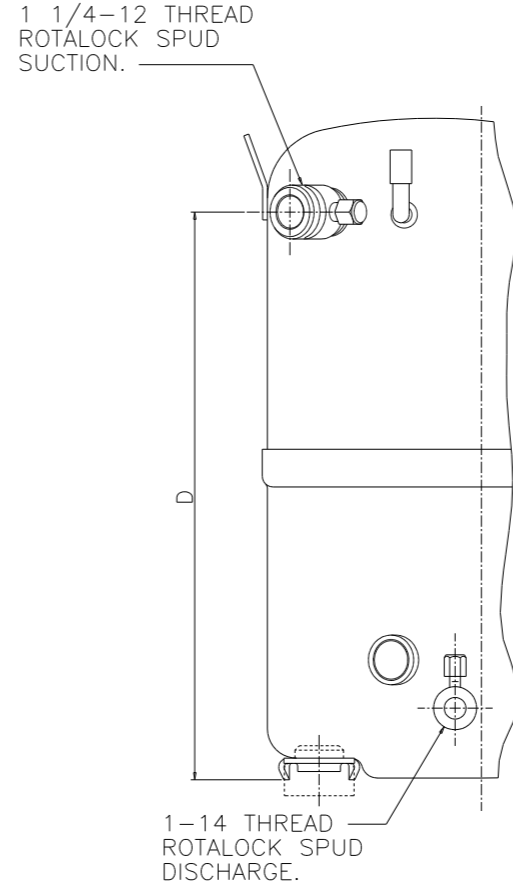
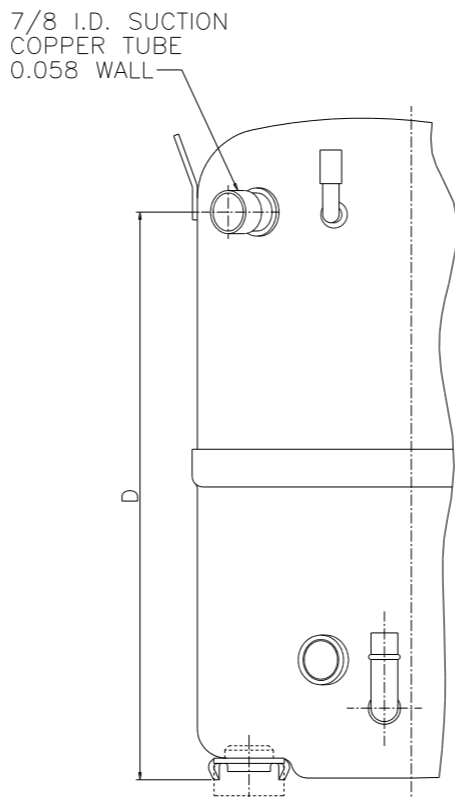
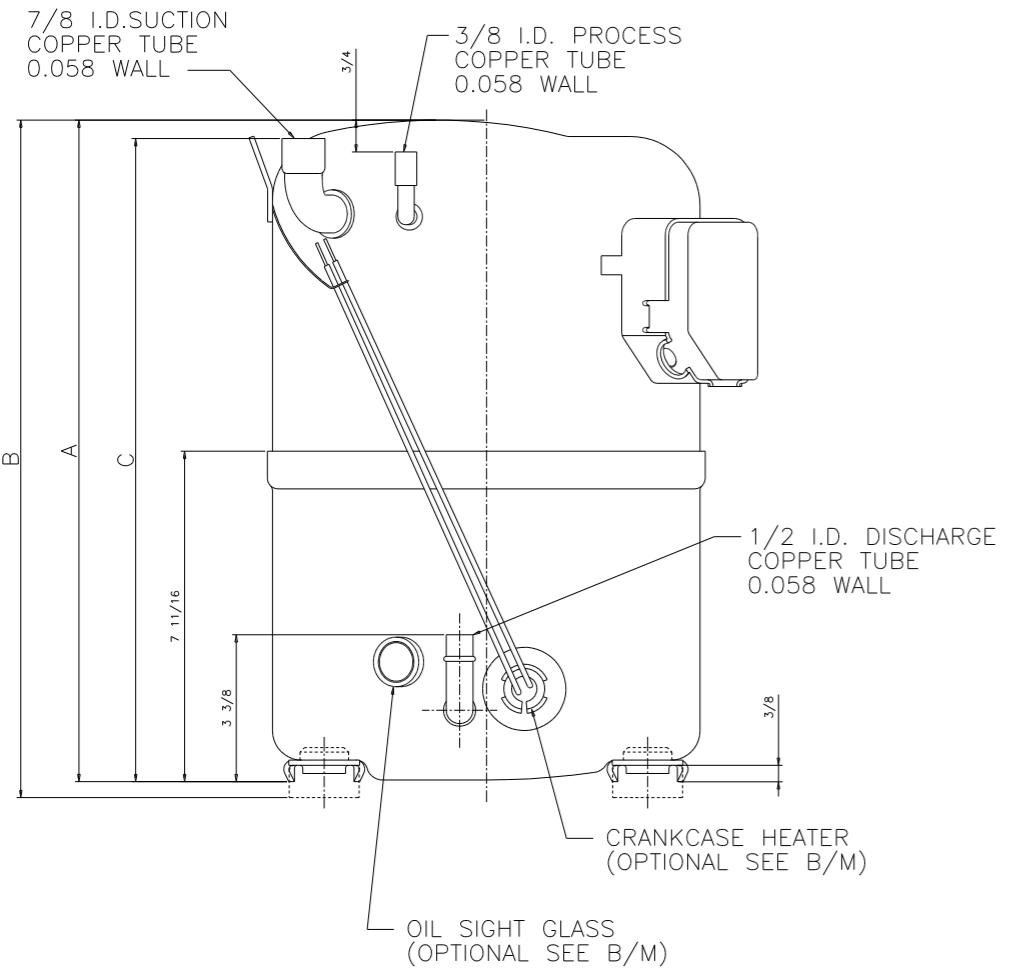


SPECIFICATIONS	
ES NO.	DESCRIPTION



DUE TO ACCUMULATED ASSEMBLY TOLERANCES THE LISTED COMPONENTS MAY VARY FROM THE MOUNTING HOLES AS TABULATED.

DISCHARGE TUBE	± 0.125
SUCTION TUBE	± 0.187
PROCESS TUBE	± 0.187



- NOTES:
- TOLERANCES TO BE ±0.062 UNLESS OTHERWISE SPECIFIED.
  - TUBE ENDS MUST BE PLUGGED.
  - FOR OTHER MOUNTING ARRANGEMENTS SEE 495-3257-00.

ENG NOTICE NO.	REV.NO.	REVISIONS	DATE	BY	CHKD	APPR
32-0609-010	52	ADDED POE MODEL TO CHART	6/8/09	BH	BAH	BAH
34-0606-019	51	REDRAWN WITH CHANGES	01-24-07	BF	MA	CHK
30-0180-022	0	RELEASED	01-16-80	DE		

EMERSON Climate Technologies

Copeland brand products

INTERPRET PER ASME Y14.5M-1994 AND EMERSON CLIMATE TECHNOLOGIES, INC. DESIGN STANDARDS DS2002 DO NOT SCALE DRAWING

THIRD ANGLE PROJECTION

UNLESS OTHERWISE SPECIFIED DIMENSIONS ARE INCH OR (MILLIMETER)

TOLERANCES:  
 2-PLACE ±  
 3-PLACE ±  
 ANGULAR ± N/A

1

CONFIDENTIALITY NOTICE			
THIS DRAWING AND INFORMATION CONTAINED HEREIN ARE THE EXCLUSIVE PROPERTY OF EMERSON CLIMATE TECHNOLOGIES, INC. AND SHALL BE RETURNED UPON DEMAND AND SHALL NOT BE REPRODUCED IN WHOLE OR IN PART TO ANYONE ELSE OR USED, WITHOUT THE WRITTEN CONSENT OF EMERSON CLIMATE TECHNOLOGIES, INC.			
MATERIAL SPECIFICATION	DRAWN BY	SUPERSEDES DWG. NO. / REV. NO.	
N/A	DJB	497-2343-00 / 50	
DATE	SCALE	DATE FORMAT:	
01-24-07	NONE	MM-DD-YY	
TITLE	DRAWING NUMBER	SHEET	DWG
REF DWG - WELD COMP ASSM	497-2343-00	2 OF 3	4

COPYRIGHT EMERSON CLIMATE TECHNOLOGIES, INC. - CONFIDENTIAL