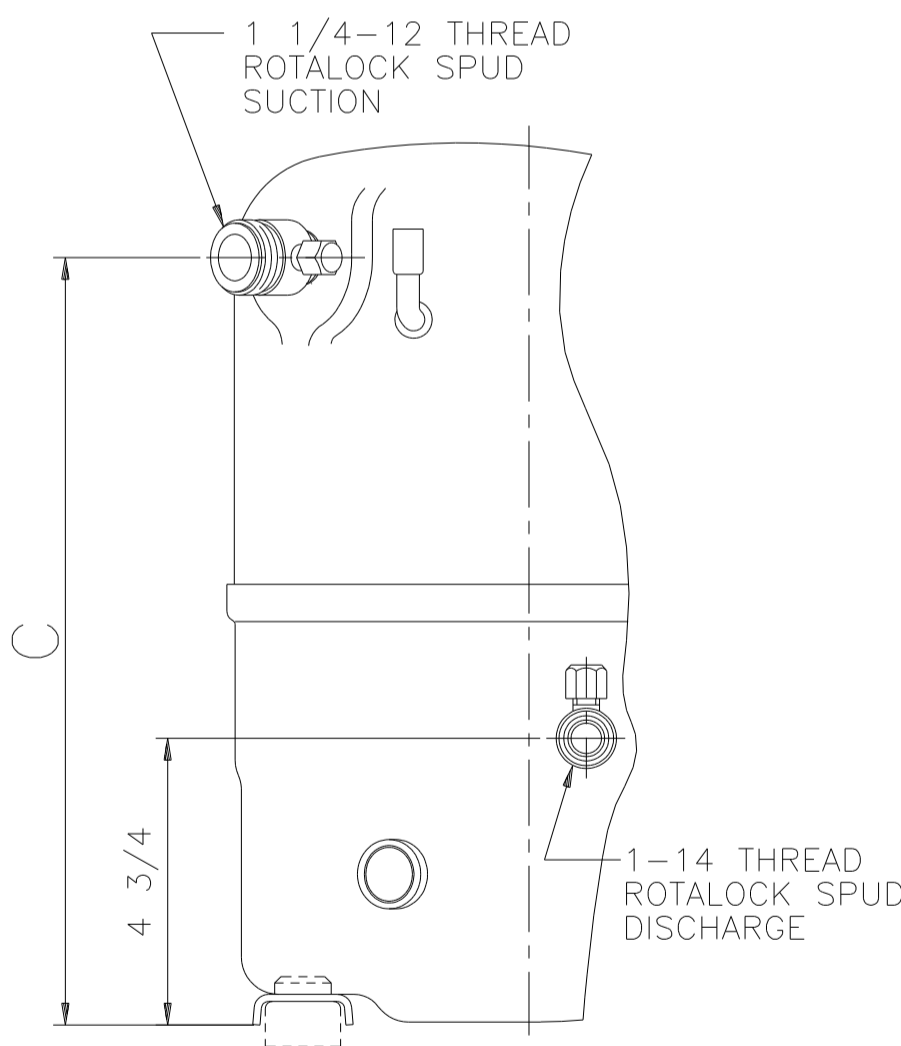
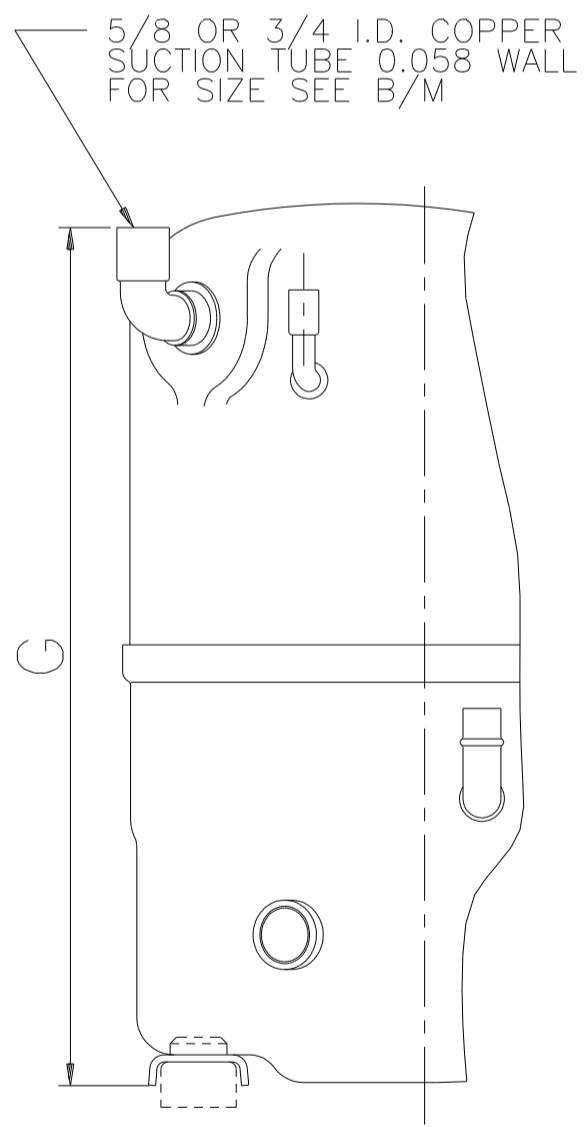
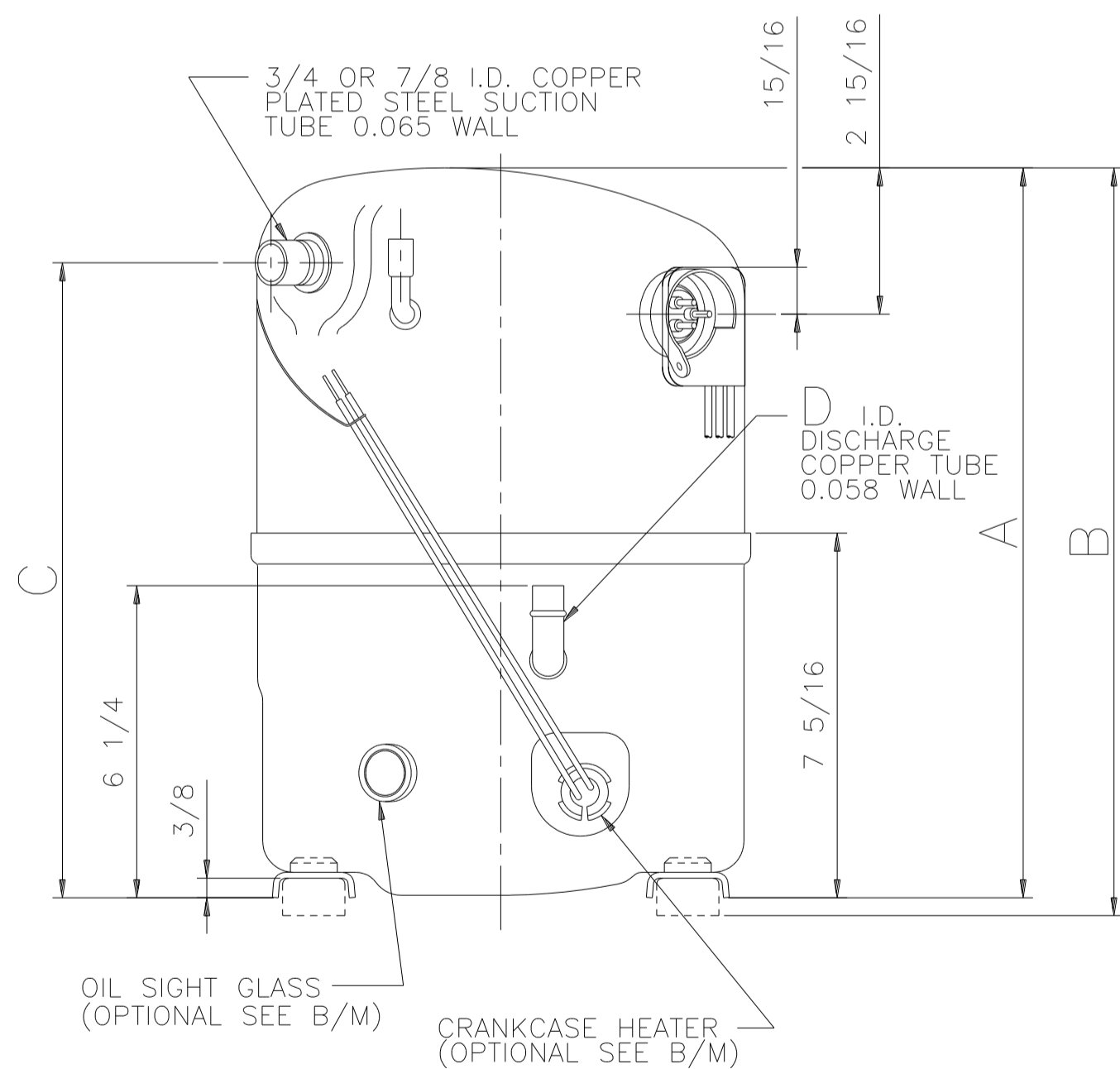
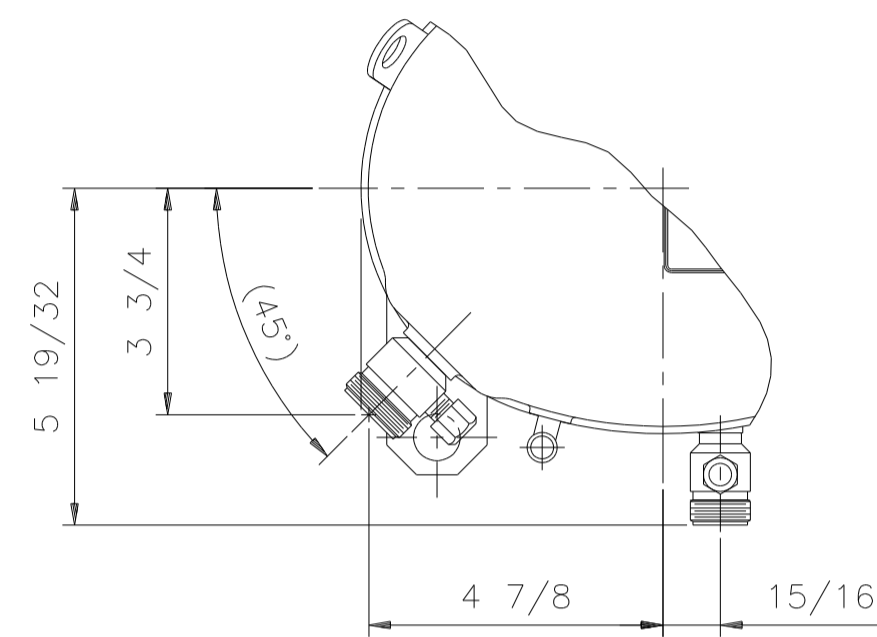
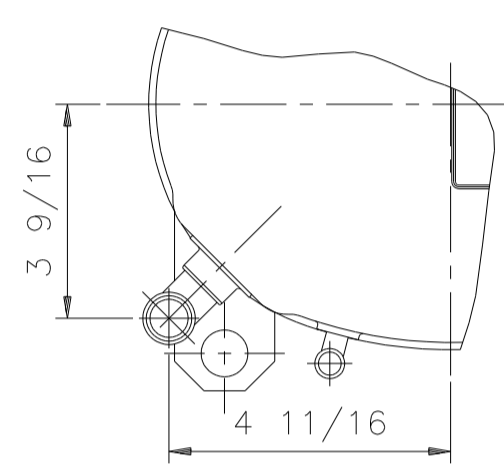
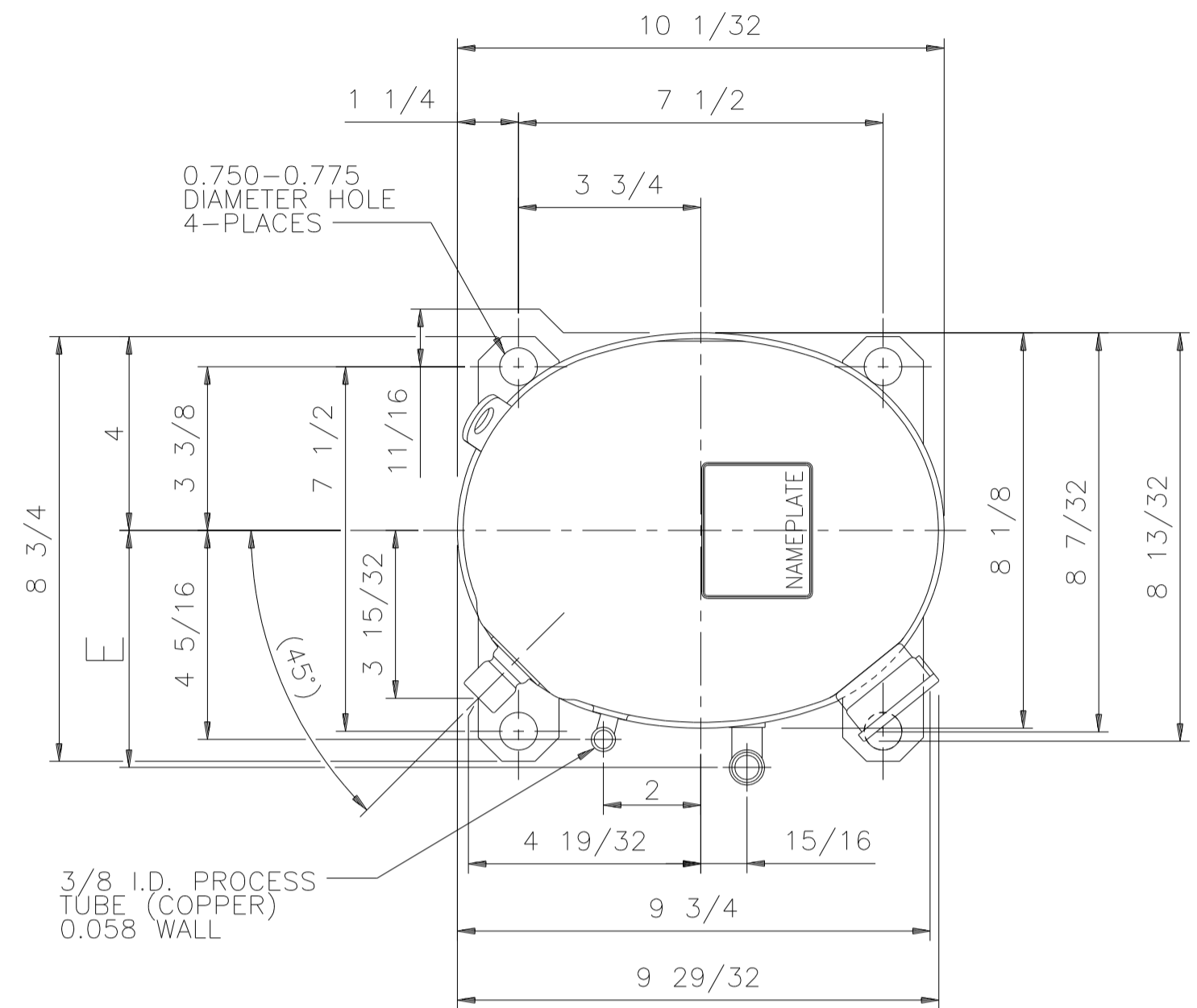


SPECIFICATIONS	
ES NO.	DESCRIPTION
ES92-155	CONVERSION-METRIC

DUE TO ACCUMULATED ASSEMBLY TOLERANCES THE LISTED COMPONENTS MAY VARY FROM THE MOUNTING HOLES AS TABULATED.		FITTING ID TOLERANCE
DISCHARGE TUBE	± 0.125	± 0.005
SUCTION TUBE	± 0.187	± 0.005
PROCESS TUBE	± 0.187	N/A

- NOTES:
- TOLERANCES TO BE ±0.062 UNLESS OTHERWISE SPECIFIED.
 - TUBE ENDS MUST BE PLUGGED.
 - FOR OTHER MOUNTING ARRANGEMENTS SEE 495-3257-00.



INTERPRET PER ASME Y14.5M-1994 AND EMERSON CLIMATE TECHNOLOGIES, INC. DESIGN STANDARDS DS2002
 DO NOT SCALE DRAWING
 THIRD ANGLE PROJECTION
 UNLESS OTHERWISE SPECIFIED DIMENSIONS ARE INCH OR (MILLIMETER)
 TOLERANCES:
 2-PLACE ±
 3-PLACE ±
 ANGULAR ± N/A

34-0606-019	62	REDRAWN WITH CHANGES	02-09-07	BF	CHK
32-0593-034	0	RELEASED CS12K6E	05-25-93	EG	
ENG NOTICE NO.	REV. NO.	REVISIONS	DATE	BY	CHKD APPR
CONFIDENTIALITY NOTICE					
THIS DRAWING AND INFORMATION CONTAINED HEREIN ARE THE EXCLUSIVE PROPERTY OF EMERSON CLIMATE TECHNOLOGIES, INC. AND SHALL BE RETURNED UPON DEMAND AND SHALL NOT BE REPRODUCED IN WHOLE OR IN PART TO ANYONE ELSE OR USED, WITHOUT THE WRITTEN CONSENT OF EMERSON CLIMATE TECHNOLOGIES, INC.					
MATERIAL SPECIFICATION		DRAWN BY	SUPERSEDES DWG. NO. / REV. NO.		
N/A		DJB	497-2548-00 SHT 4 / 6 I		
DATE		SCALE	DATE FORMAT:		
02-09-07		NONE	MM-DD-YY		
TITLE		DRAWING NUMBER		SHEET 3 OF 6	
REF DWG - WELD COMP ASSM		497-2548-00		DWG SIZE	
				5	

© COPYRIGHT EMERSON CLIMATE TECHNOLOGIES, INC. - CONFIDENTIAL