

| PART NUMBER | MODEL NUMBER            | CUSTOMER CONNECTIONS |
|-------------|-------------------------|----------------------|
| 497-0998-00 | ZR250KC/KCE<br>ZP235KCE | BRAZED               |
| 497-0998-01 | ZR250KC/KCE<br>ZP235KCE | ROTALOCK             |

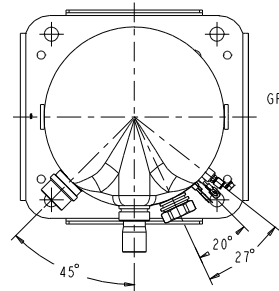
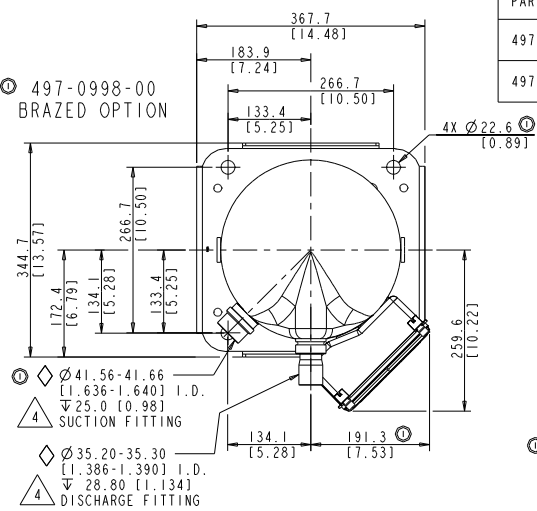
| SPECIFICATIONS |                   |
|----------------|-------------------|
| ES NO.         | DESCRIPTION       |
| ES92-155       | CONVERSION-METRIC |
| ES81-340       | TORQUE SPEC       |

NOTES:  
 1 ALL TOLERANCES ±1.50 [0.060] UNLESS OTHERWISE SPECIFIED.

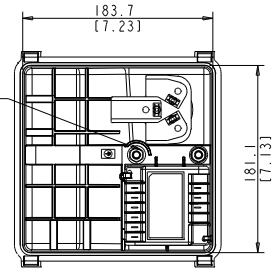
DUE TO ACCUMULATED ASSEMBLY TOLERANCES THE LISTED COMPONENTS MAY VARY FROM THE MOUNTING HOLES AS SHOWN BELOW:

- ◇ ALL FITTINGS : ±3.0 [0.12]
- 2. MOUNTING KIT: 527-0175-02
- 3. TUBE ENDS MUST BE PLUGGED.
- 4 0.05 [0.002] MIN. THICK INTERIOR & EXTERIOR COPPER PLATED STEEL FITTING.

497-0998-00  
BRAZED OPTION

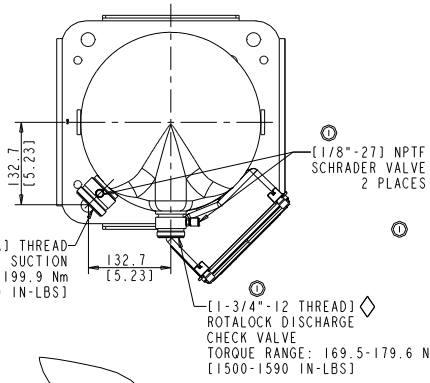


(VIEW W/O TERMINAL BOX)

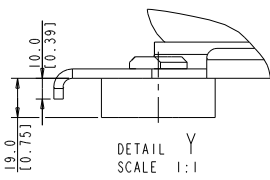
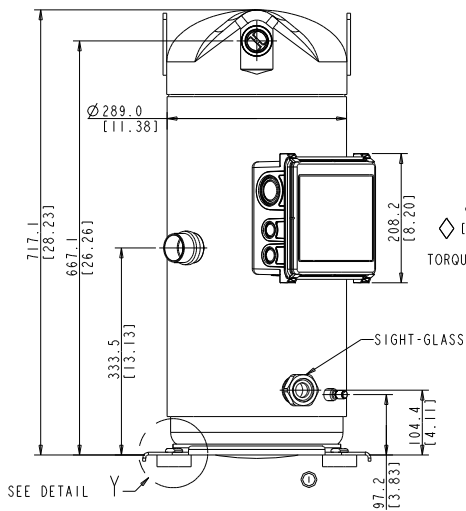


T' BOX LAYOUT STANDARD

497-0998-01  
ROTALOCK OPTION



◇ [2-1/4"-12 UN-2A] THREAD  
TORQUE RANGE: 189.8-199.9 Nm  
[1680-1770 IN-LBS]



DETAIL Y  
SCALE 1:1

**SYMBOLS/SYMBOLS/SYMBOL**

◆ TERMINAL IDENTIFICATION: MOTOR WINDING CONNECTIONS / BORNES DES ENBOULÉMENTS DU MOTEUR / ABRUCHLÄNGEN DER MOTORWINDUNGEN

◆ MOTOR WINDING CONNECTIONS / BORNES DES ENBOULÉMENTS DU MOTEUR / ABRUCHLÄNGEN DER MOTORWINDUNGEN

**WHEN CHECKING SOLID STATE MODULE:**  
DO NOT SHORT ACROSS S1 AND S2 SENSOR TERMINALS FOR MORE THAN 30 SECONDS. THIS MAY DAMAGE THE SENSOR AND CAUSE PROTECTION TRIP.

**LORS DE LA VÉRIFICATION DU MODULE ÉLECTRONIQUE:**  
NE PAS COURT-CIRCUITER LES BORNES S1 ET S2 POUR PLUS DE 30 SECONDES. CE PEUT ENDOMMAGER LE CAPTEUR ET CAUSER UN DÉCLANCHÉMENT DE LA PROTECTION.

**BEI PRÜFUNG DES MOTORSCHUTZGERÄTES:**  
DIE SENSORENBREMSE S1 UND S2 DÜRFEN NICHT FÜR MEHR ALS 30 SEKUNDEN KURZGESCHLOSSEN. DIES KÖNNTE DEN SENSOR SCHADEN UND ZU EINER FALSCHEN SCHUTZTRIGGERUNG FÜHREN.

| ECN003194  | 1 | PICTORIALLY UPDATED      | 12-09-10 | PAS                              | N.JG               | R.JR         |
|--|---|--------------------------|----------|----------------------------------|--------------------|--------------|
| ECN002819  | 0 | RELEASED                 | 09-13-10 | MPK <td>N.JG <th>R.JR</th> </td> | N.JG <th>R.JR</th> | R.JR         |
| ENG NOTICE NO. / REV. NO.  |   | REVISIONS                |          | DATE BY CHKD APPRA               |                    |              |
| <p>CONFIDENTIAL NOTICE</p> <p>THIS DRAWING AND INFORMATION CONTAINED HEREIN ARE THE EXCLUSIVE PROPERTY OF EMERSON CLIMATE TECHNOLOGIES, INC. AND SHALL BE RETURNED UPON DEMAND AND SHALL NOT BE REPRODUCED IN WHOLE OR IN PART DISCLOSED TO ANYONE ELSE OR USED, WITHOUT THE WRITTEN CONSENT OF EMERSON CLIMATE TECHNOLOGIES, INC.</p> |   |                          |          |                                  |                    |              |
| MATERIAL SPECIFICATION   |   | DRAWN BY                 |          | SUPERSEDES ENG. NO. / REV. NO.   |                    |              |
| N/A  |   | MPK                      |          | -                                |                    |              |
| DATE   |   | 09-13-10                 |          | SCALE                            |                    | DATE FORMAT: |
| 2:5  |   | MM-DD-YY                 |          | DRAWING NUMBER                   |                    |              |
| TITLE  |   | REF DWG - WELD COMP ASSM |          | SHEET 1 OF 1                     |                    | ENG          |
| 497-0998-00  |   | 4                        |          | 1/24                             |                    |              |

INTERPRET PER ASME Y14.5M-1994 AND EMERSON CLIMATE TECHNOLOGIES, INC. DESIGN STANDARDS D22002. DO NOT SCALE DRAWING.

EMERSON Climate Technologies

Copeland