

Model: ZP41K3E-TFD

Data

Type: Hermetic piston compressors
Producer: Copeland
Series: ZP

Model: ZP41K3E-TFD

Technical data

Nominal motor power [HP]:	3,4
Displacement [m ³ /h]:	6,9
Sound pressure level :	56
Weight [kg]:	35/33
Oil charge [dm ³]:	1,3

Electrical data

Power supply [V/~ /Hz]:	380-420V/3/50Hz
Locked rotor current [A]:	48
Max. operating current [A]:	8
Winding resistance [Ω]:	3,9

Connections

	<u>milimeters</u>	<u>inches</u>
Suction Rotolock valve connection:		-
Discharge Rotolock valve connection:		-
Suction connection with supplied sleeve:		3/4"
Discharge connection with supplied sleeve:		1/2"

Model: ZP41K3E-TFD**Capacity**

R410A

Cooling capacity [kW]

t_c \ t_e	-20	-15	-10	-5	0	5	10
25	4.66	5.75	7.04	8.55	10.28	12.27	14.54
30	4.31	5.37	6.60	8.04	9.70	11.60	13.77
35	3.99	4.99	6.17	7.54	9.12	10.93	12.99
40	3.67	4.62	5.74	7.03	8.53	10.25	12.20
45	-	4.24	5.29	6.51	7.92	9.54	11.39
50	-	-	4.83	5.96	7.28	8.79	10.53
55	-	-	-	5.37	6.60	8.00	9.62
60	-	-	-	-	5.86	7.15	8.65
65	-	-	-	-	-	6.23	7.61

Power input [kW]

t_c \ t_e	-20	-15	-10	-5	0	5	10
25	1.68	1.67	1.66	1.63	1.60	1.56	1.51
30	1.90	1.90	1.89	1.87	1.84	1.81	1.77
35	2.13	2.14	2.13	2.11	2.09	2.06	2.03
40	2.40	2.40	2.39	2.38	2.36	2.34	2.31
45	-	2.71	2.70	2.68	2.66	2.64	2.61
50	-	-	3.05	3.03	3.00	2.98	2.95
55	-	-	-	3.43	3.40	3.37	3.33
60	-	-	-	-	3.86	3.82	3.78
65	-	-	-	-	-	4.34	4.30

Model: ZP41K3E-TFD

Capacity

Current [A]

$t_c \setminus t_e$	-20	-15	-10	-5	0	5	10
25	3.88	3.88	3.86	3.83	3.79	3.75	3.70
30	4.14	4.15	4.13	4.11	4.07	4.04	4.00
35	4.44	4.44	4.42	4.40	4.37	4.34	4.31
40	4.79	4.78	4.76	4.74	4.71	4.67	4.64
45	-	5.20	5.17	5.14	5.10	5.06	5.03
50	-	-	5.67	5.62	5.58	5.53	5.49
55	-	-	-	6.22	6.15	6.09	6.04
60	-	-	-	-	6.85	6.77	6.70
65	-	-	-	-	-	7.59	7.50

Mass flow [kg/s]

$t_c \setminus t_e$	-20	-15	-10	-5	0	5	10
25	90.89	111.48	135.09	162.13	193.01	228.14	267.93
30	88.84	109.31	132.82	159.76	190.54	225.58	265.28
35	86.67	107.04	130.45	157.30	187.99	222.95	262.58
40	84.27	104.56	127.88	154.65	185.27	220.16	259.73
45	-	101.76	125.01	151.71	182.27	217.10	256.61
50	-	-	121.73	148.37	178.88	213.67	253.14
55	-	-	-	144.53	175.00	209.75	249.20
60	-	-	-	-	170.52	205.25	244.68
65	-	-	-	-	-	200.07	239.49

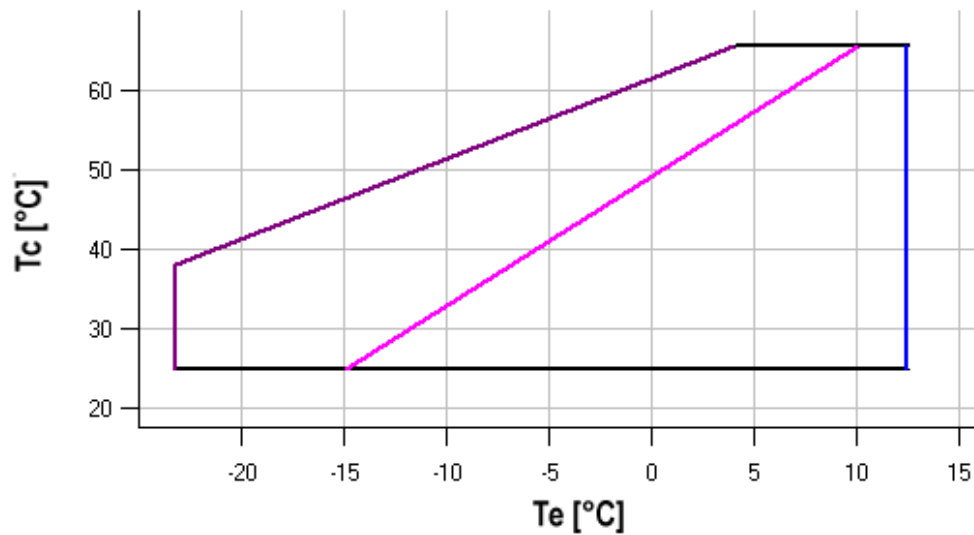
Model: ZP41K3E-TFD

Capacity

C.O.P. [W/W]

$t_c \setminus t_e$	-20	-15	-10	-5	0	5	10
25	2.78	3.44	4.25	5.23	6.43	7.88	9.63
30	2.27	2.83	3.50	4.30	5.27	6.42	7.78
35	1.87	2.34	2.90	3.57	4.36	5.30	6.40
40	1.53	1.93	2.40	2.96	3.61	4.39	5.29
45	-	1.57	1.96	2.43	2.98	3.62	4.36
50	-	-	1.58	1.97	2.43	2.96	3.57
55	-	-	-	1.57	1.94	2.38	2.89
60	-	-	-	-	1.52	1.87	2.29
65	-	-	-	-	-	1.44	1.77

Application range



- Maximum evaporating temperature
- 25°C suction gas temperature
- 10K gas overheat

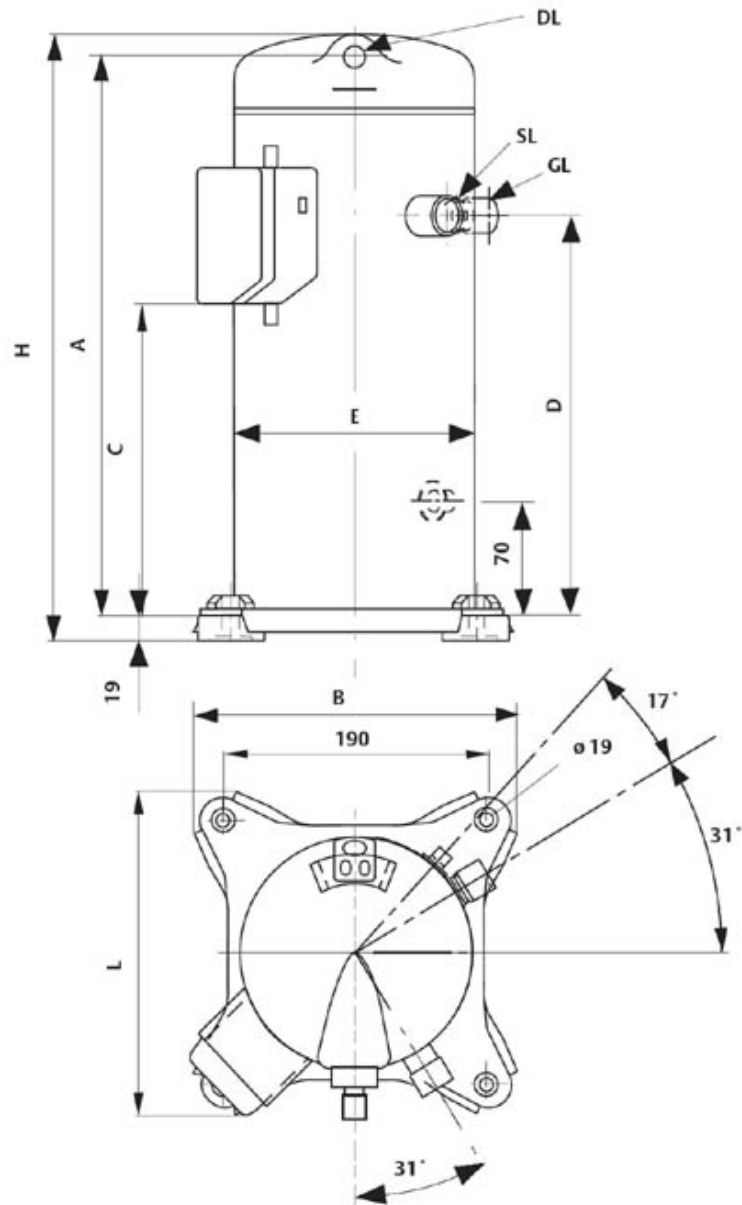
Operating conditions: 10K suction superheat, 0K subcooling

t_c - Condensing temperature [°C]

t_e - Evaporating temperature [°C]

Model: ZP41K3E-TFD

Dimensions



A	371 mm
B	240 mm
C	235 mm
D	277 mm
E	167 mm
H	419 mm
L	231 mm