

Model: ZP67KCE-TFD

Data

Type: Hermetic piston compressors

Producer: Copeland

Series: ZP

Model: ZP67KCE-TFD

Technical data

Nominal motor power [HP]:	5,5
Displacement [m ³ /h]:	11
Sound pressure level :	61
Weight [kg]:	47/45
Oil charge [dm ³]:	1,7

Electrical data

Power supply [V/~/Hz]:	380-420V/3/50Hz
Locked rotor current [A]:	74
Max. operating current [A]:	12,2
Winding resistance [Ω]:	2,27

Connections

	<u>milimeters</u>	<u>inches</u>
Suction Rotolock valve connection:		-
Discharge Rotolock valve connection:		-
Suction connection with supplied sleeve:		7/8"
Discharge connection with supplied sleeve:		1/2"

Model: ZP67KCE-TFD**Capacity**

R410A

Cooling capacity [kW]

t_c \ t_e	-20	-15	-10	-5	0	5	10
25	7.68	9.37	11.39	13.74	16.46	19.56	23.06
30	7.11	8.78	10.73	13.01	15.62	18.59	21.93
35	6.53	8.16	10.07	12.26	14.77	17.60	20.79
40	5.91	7.51	9.36	11.47	13.87	16.58	19.61
45	-	6.79	8.59	10.62	12.92	15.50	18.37
50	-	-	7.74	9.69	11.89	14.33	17.06
55	-	-	-	8.66	10.75	13.07	15.64
60	-	-	-	-	9.50	11.69	14.11
65	-	-	-	-	-	10.16	12.43

Power input [kW]

t_c \ t_e	-20	-15	-10	-5	0	5	10
25	2.63	2.64	2.65	2.66	2.68	2.70	2.74
30	2.95	2.96	2.97	2.98	2.99	3.00	3.03
35	3.31	3.33	3.33	3.34	3.34	3.35	3.37
40	3.72	3.73	3.74	3.74	3.74	3.75	3.76
45	-	4.19	4.20	4.20	4.20	4.20	4.20
50	-	-	4.71	4.71	4.71	4.71	4.70
55	-	-	-	5.29	5.28	5.28	5.27
60	-	-	-	-	5.93	5.92	5.91
65	-	-	-	-	-	6.63	6.62

Model: ZP67KCE-TFD

Capacity

Current [A]

$t_c \setminus t_e$	-20	-15	-10	-5	0	5	10
25	5.58	5.60	5.61	5.61	5.62	5.65	5.70
30	5.98	6.00	6.00	6.01	6.01	6.03	6.08
35	6.44	6.47	6.47	6.47	6.47	6.49	6.52
40	6.99	7.01	7.02	7.02	7.02	7.03	7.05
45	-	7.65	7.66	7.66	7.65	7.65	7.67
50	-	-	8.39	8.39	8.38	8.38	8.39
55	-	-	-	9.23	9.22	9.21	9.21
60	-	-	-	-	10.17	10.16	10.15
65	-	-	-	-	-	11.23	11.22

Mass flow [kg/s]

$t_c \setminus t_e$	-20	-15	-10	-5	0	5	10
25	149.86	181.43	218.19	260.54	308.88	363.59	425.06
30	146.61	178.82	216.02	258.60	306.97	361.50	422.59
35	141.93	175.01	212.88	255.94	304.57	359.16	420.11
40	135.56	169.76	208.55	252.31	301.44	356.33	417.37
45	-	162.83	202.76	247.47	297.34	352.76	414.14
50	-	-	195.28	241.17	292.01	348.21	410.15
55	-	-	-	233.16	285.22	342.43	405.18
60	-	-	-	-	276.72	335.17	398.96
65	-	-	-	-	-	326.19	391.26

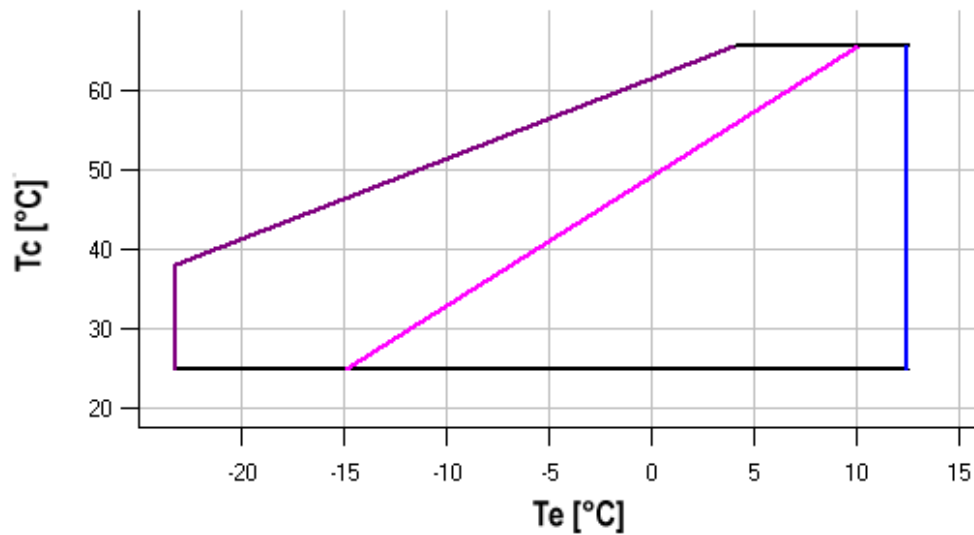
Model: ZP67KCE-TFD

Capacity

C.O.P. [W/W]

$t_c \setminus t_e$	-20	-15	-10	-5	0	5	10
25	2.92	3.55	4.29	5.16	6.14	7.23	8.41
30	2.41	2.96	3.61	4.37	5.23	6.19	7.23
35	1.97	2.45	3.02	3.68	4.42	5.25	6.17
40	1.59	2.01	2.50	3.07	3.71	4.43	5.22
45	-	1.62	2.05	2.53	3.08	3.69	4.37
50	-	-	1.64	2.06	2.52	3.05	3.63
55	-	-	-	1.64	2.03	2.48	2.97
60	-	-	-	-	1.60	1.97	2.39
65	-	-	-	-	-	1.53	1.88

Application range



- Maximum evaporating temperature
- 25°C suction gas temperature
- 10K gas overheat

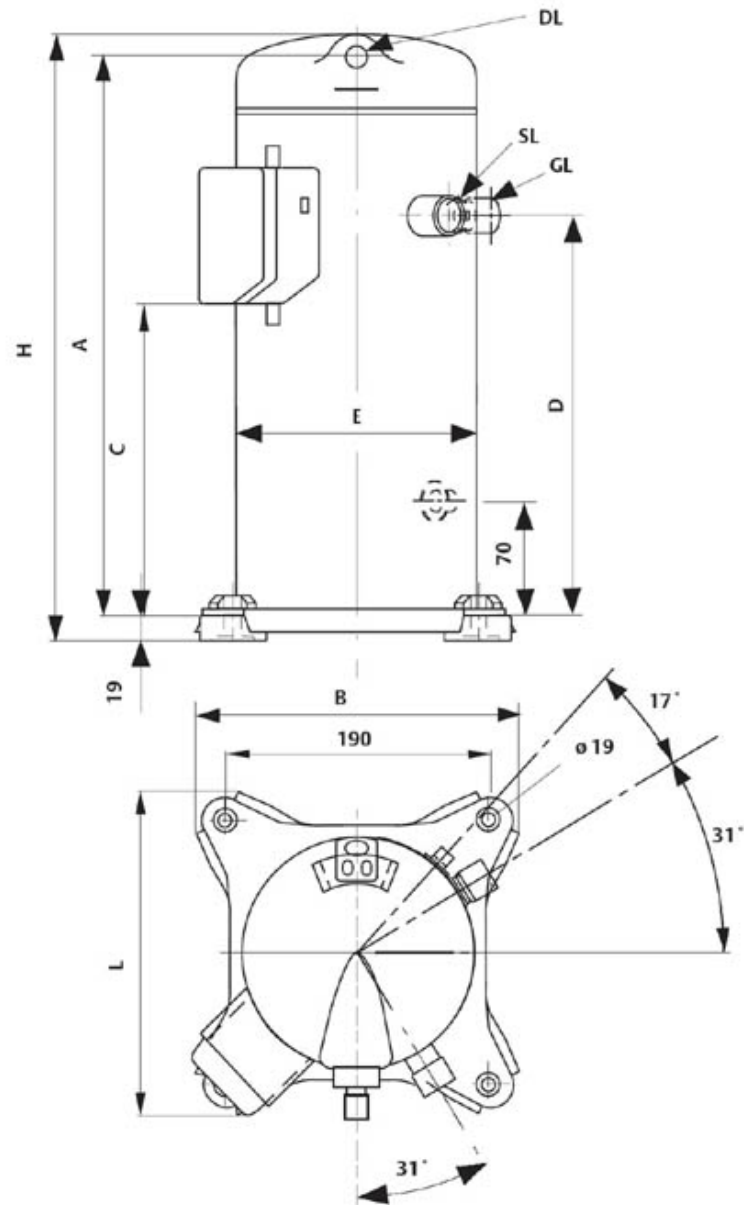
Operating conditions: 10K suction superheat, 0K subcooling

t_c - Condensing temperature [°C]

t_e - Evaporating temperature [°C]

Model: ZP67KCE-TFD

Dimensions



A	410 mm
B	240 mm
C	233 mm
D	297 mm
E	185 mm
H	457 mm
L	247 mm