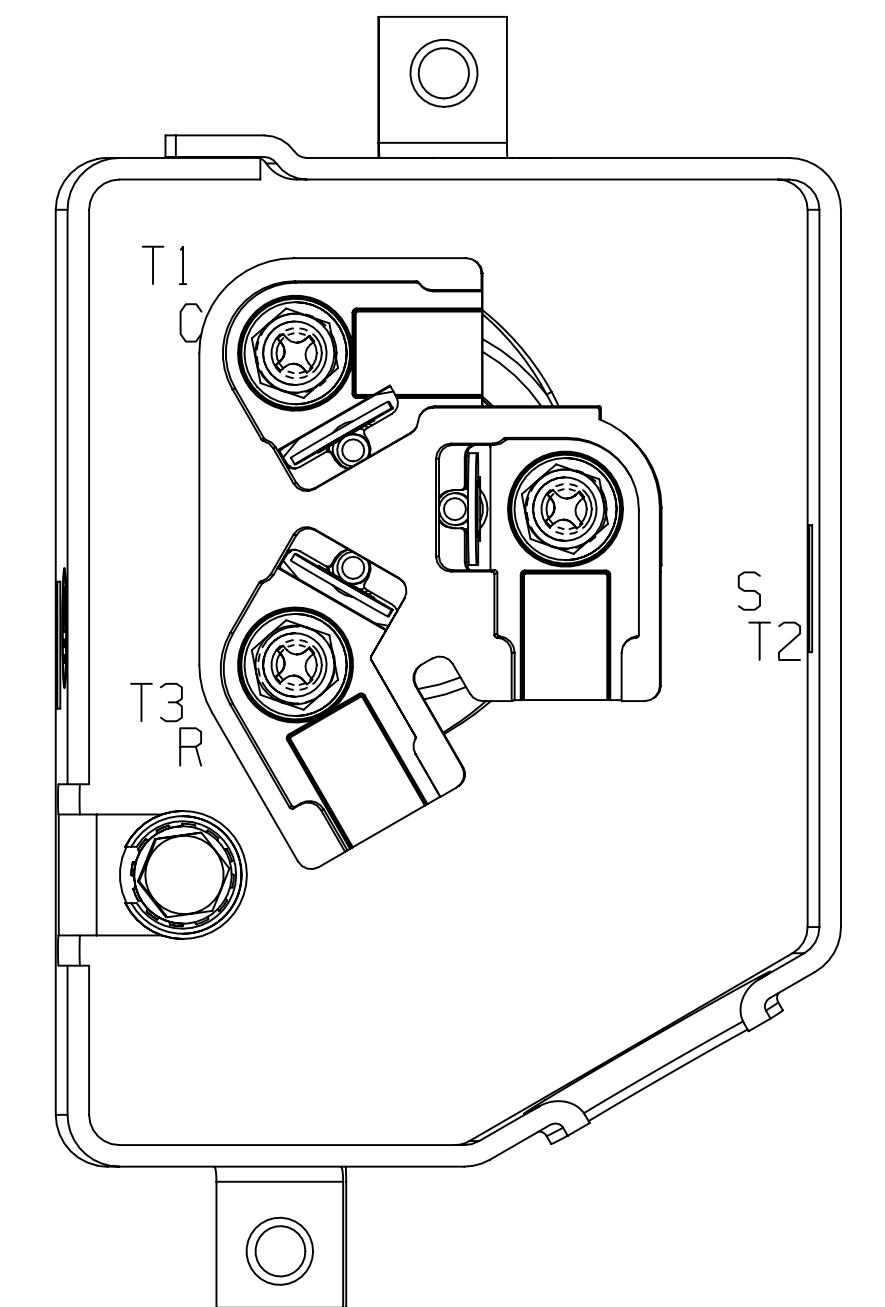
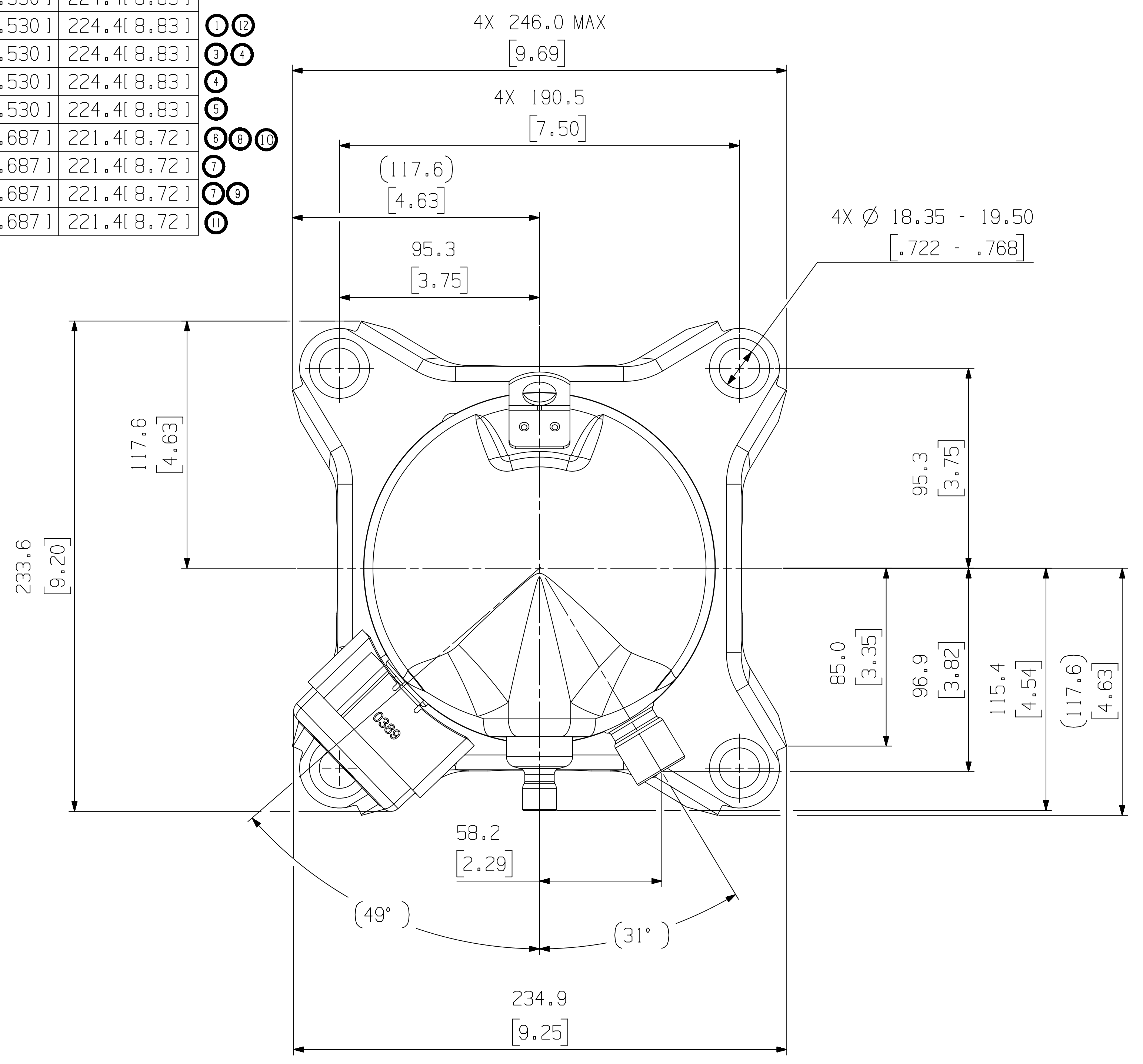
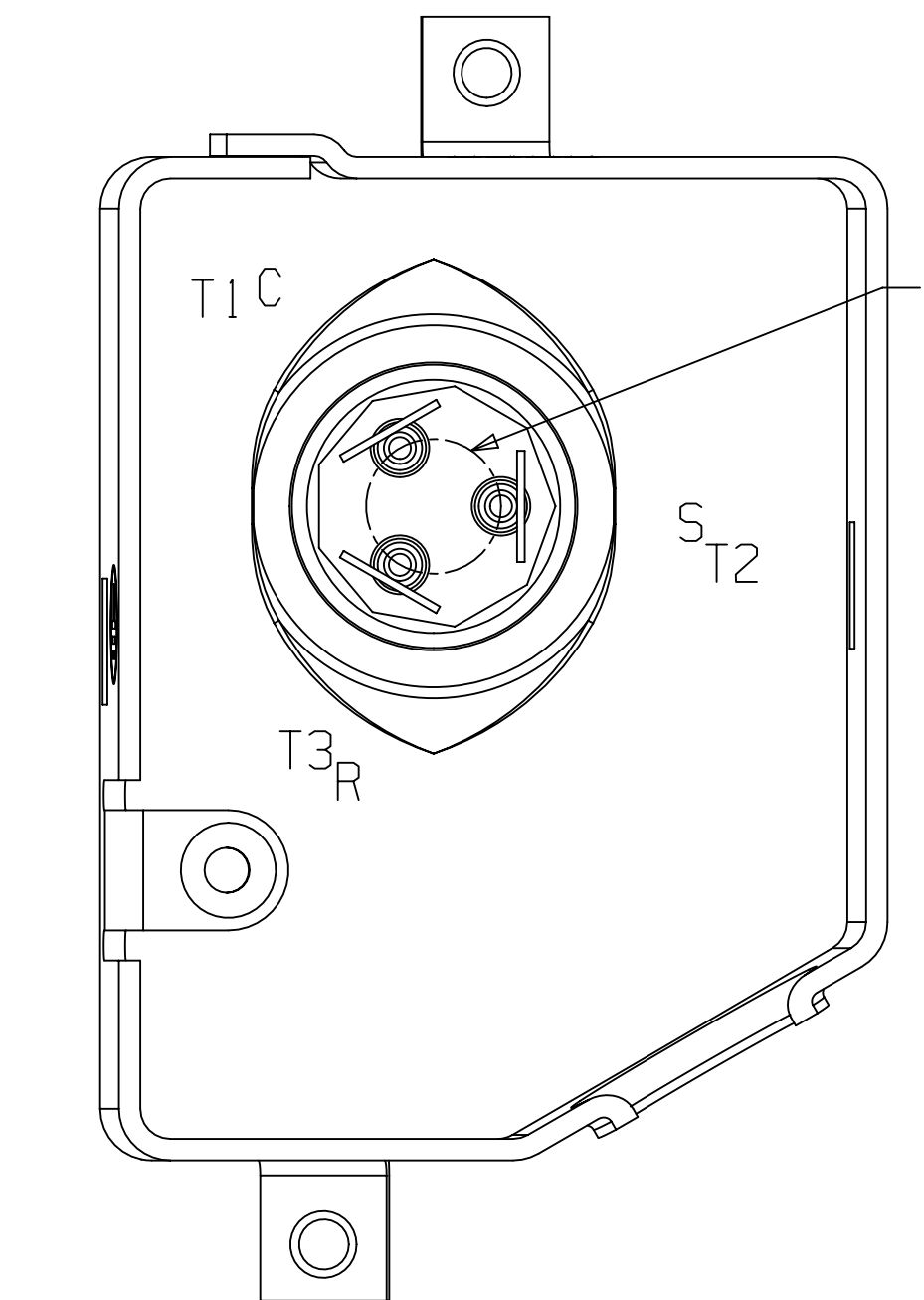


MODEL NUMBER	Ø A	B
ZJ44KHE-PFB	13.46 [0.530]	224.41 [8.83]
ZJ49/51KHE-PFB	13.46 [0.530]	224.41 [8.83]
ZJ36KHE-PFB/PFZ	13.46 [0.530]	224.41 [8.83]
ZP36KUE-PFZ	13.46 [0.530]	224.41 [8.83]
ZP42KUE-PFZ	13.46 [0.530]	224.41 [8.83]
ZP51/57/61KUE-TFM	17.45 [0.687]	221.41 [8.72]
ZJ42KHE-TFM	17.45 [0.687]	221.41 [8.72]
ZP36/42/44/54KUE-TFM	17.45 [0.687]	221.41 [8.72]
ZP49KUE-TFM	17.45 [0.687]	221.41 [8.72]

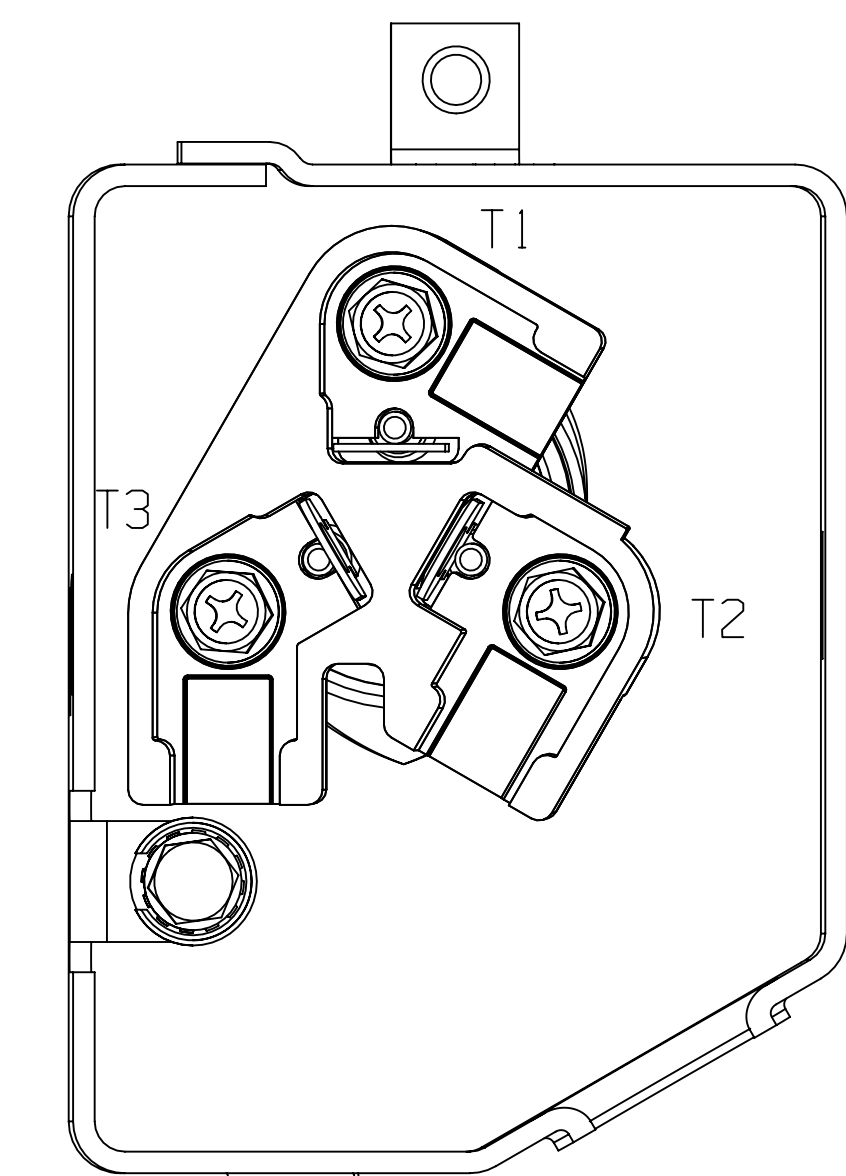
SPECIFICATIONS	
ES NO.	DESCRIPTION
ES92-155	CONVERSION-METRIC



T' BOX LAYOUT STANDARD SCALE 4:3



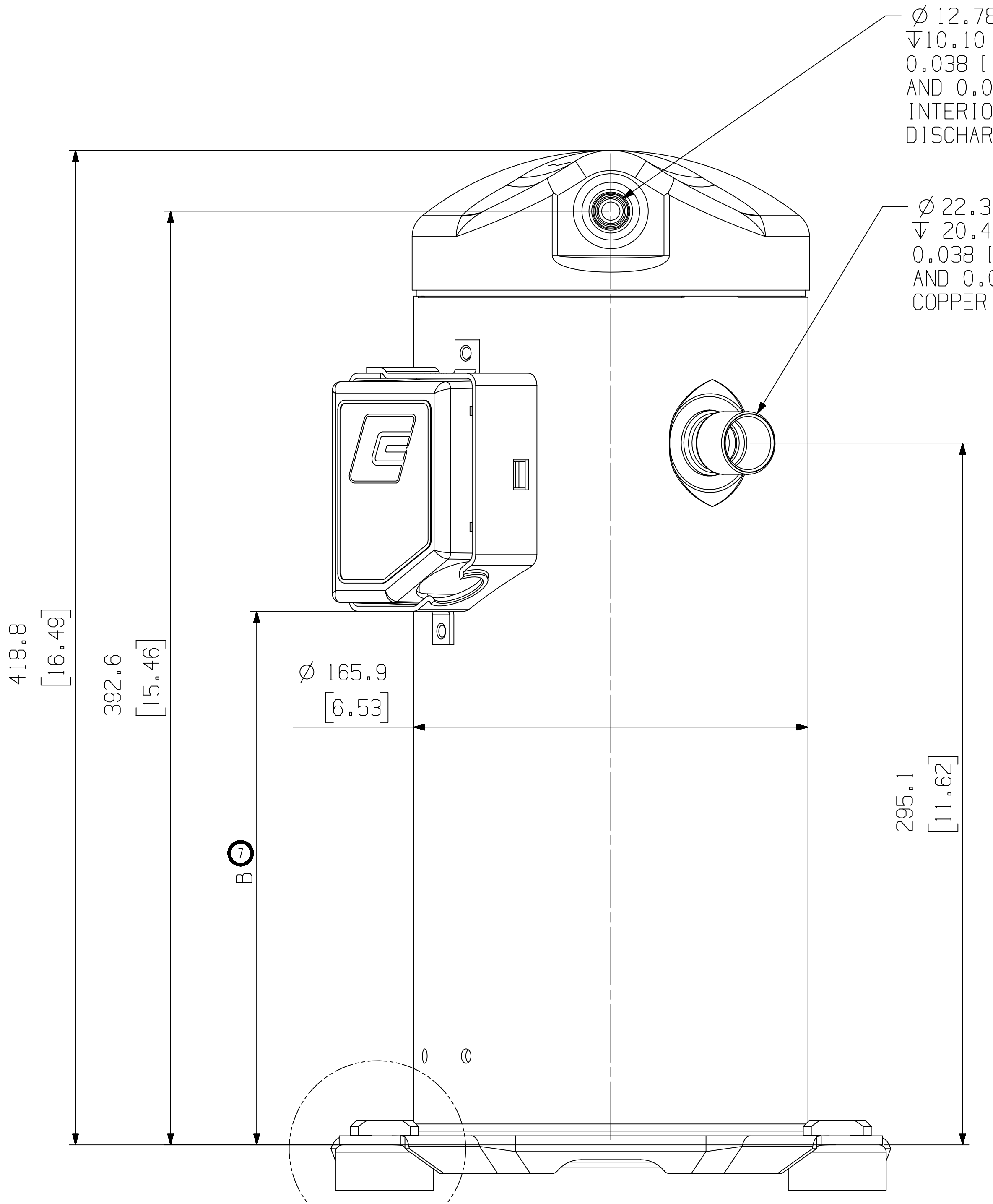
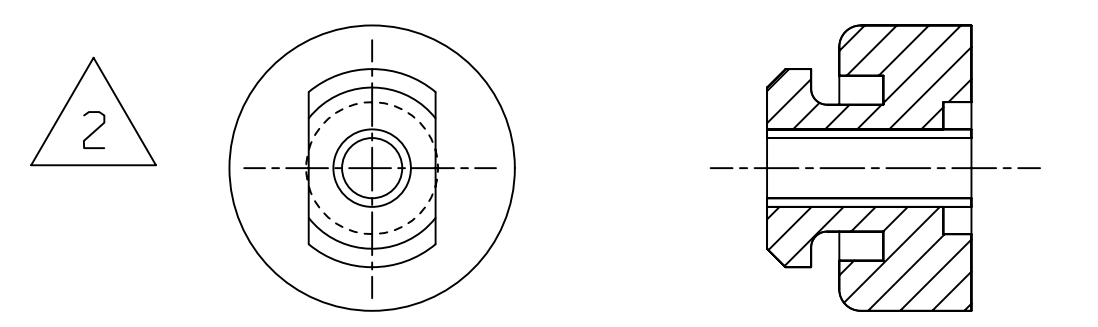
T' BOX LAYOUT WITHOUT CONNECTOR BLOCK SCALE 4:3



T' BOX LAYOUT OPTIONAL SCALE 4:3

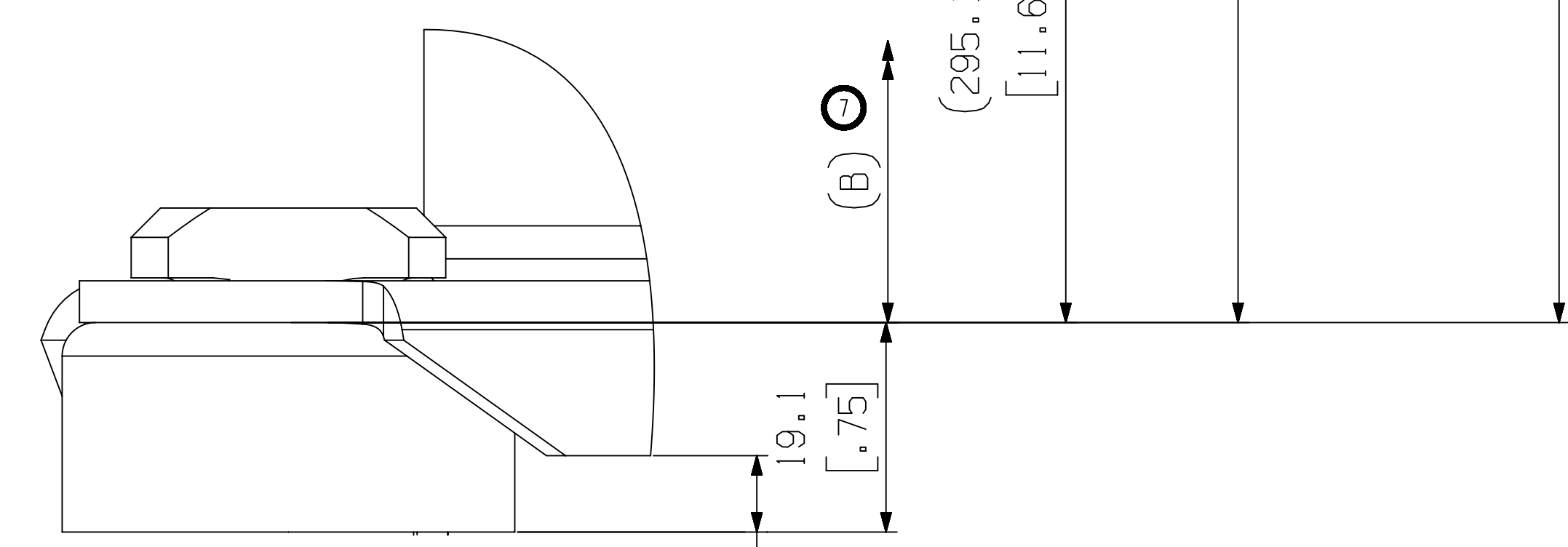
- NOTES:
- ALL TOLERANCES ±1.50 [0.060] UNLESS OTHERWISE SPECIFIED.
 - DUE TO ACCUMULATED ASSEMBLY TOLERANCES THE LISTED COMPONENTS MAY VARY FROM THE MOUNTING HOLES AS SHOWN BELOW:
 - SUCTION FITTING : ±3.0 [0.12] DISCHARGE FITTING: ±3.0 [0.12]
 - MOUNTING KIT.
 - TUBE ENDS MUST BE PLUGGED.

GROMMET DUROMETER	4 FOOT KIT
35-45	527-0116-00

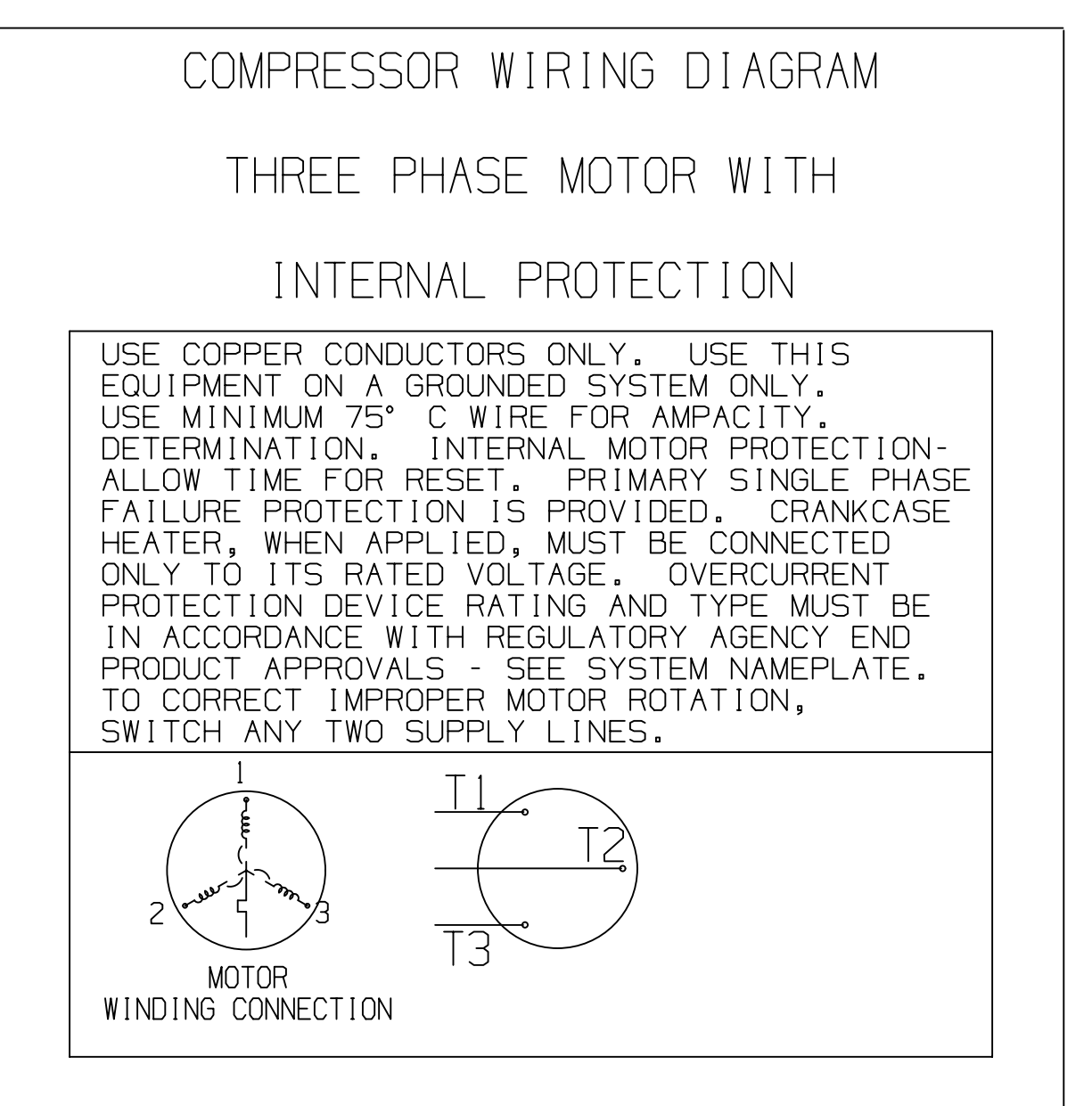
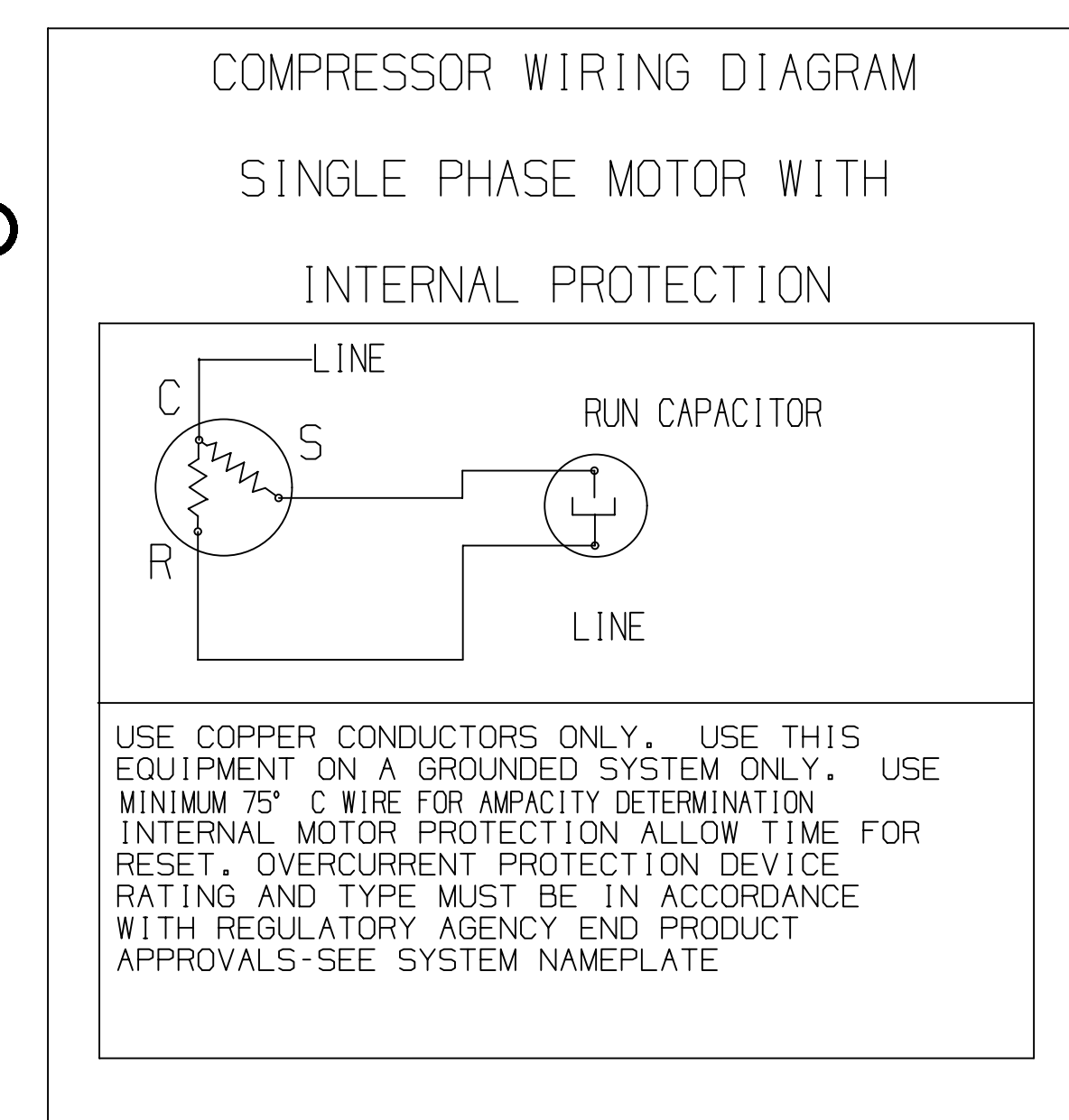


Ø 12.78-12.95 [0.503-0.510] I.D. ♦
 √ 10.10 [0.398] MIN,
 0.038 [0.0015] MIN THICK EXTERIOR
 AND 0.038 [0.0015] MIN THICK INTERIOR
 COPPER PLATED STEEL
 DISCHARGE FITTING.

Ø 22.30-22.48 [0.878-0.885] I.D. ♦
 √ 20.4 [0.803] MIN,
 0.038 [0.0015] MIN THICK EXTERIOR
 AND 0.038 [0.0015] MIN THICK INTERIOR
 COPPER PLATED STEEL SUCTION FITTING.



DETAIL Y SCALE 2:1



(418.8) [16.49]

(295.1) [11.62]

(392.6) [15.46]

(B)

(418.8) [16.49]

ECN	NO.	DESCRIPTION	DATE	BY	CHK	APPR
ECN201186	12	ADDED ZJ49KHE-PFB	12-30-16	AZ	LG	AW
ECN200840	11	ADDED ZP49KUE-TFM	09-21-16	SZ	ZH	JOY
ECN200230	10	ADDED ZP57KUE-TFM	09-02-16	AZ	ZH	JOY
ECN200151	9	ADDED ZP36/44/54KUE-TFM	07-26-16	AZ	ZH	JOY
ECN102877	8	ADDED ZP61KUE-TFM	07-18-16	AZ	ZH	JOY
ECN102943	7	ADDED ZJ42KHE-TFM & ZP42KUE-TFM	07-05-16	AZ	ZH	JOY
ECN200071	6	ADDED ZP51KUE-TFM AND COLUMN Ø A	06-17-16	SZ	ZH	JOY
ECN200028	5	ADDED ZP42KUE-PFZ	06-08-16	AZ	ZH	JOY
ECN102335	4	ADDED ZJ36KHE-PFZ, ZP36KUE-PFZ	01-25-16	CYZ	ZH	JOY
ECN101443	3	ADDED ZJ36KHE-PFB	01-11-16	AZ	ZH	JOY
ECN100591	2	ADDED T-BOX OPTIONAL VIEW	12-16-14	JC	ZH	JL
ECN008769	1	ADD ZJ51KHE-PFB	08-07-14	AZ	ZH	JL
ECN008684	0	RELEASED	07-07-14	EL	ZH	JL

EMERSON
Climate Technologies

Copeland
brand products

24 THIS DRAWING AND INFORMATION CONTAINED HEREIN ARE THE EXCLUSIVE PROPERTY OF EMERSON CLIMATE TECHNOLOGIES, INC. AND SHALL BE RETURNED UPON DEMAND AND REPRODUCED IN WHOLE OR IN PART, WITHOUT THE WRITTEN CONSENT OF EMERSON CLIMATE TECHNOLOGIES, INC.

INTERPRET PER ASME Y14.5M-1994 AND EMERSON CLIMATE TECHNOLOGIES, INC. DESIGN STANDARDS DS2002 DO NOT SCALE DRAWING

CRITICAL PRODUCT CHARACTERISTICS

UNLESS OTHERWISE SPECIFIED DIMENSIONS ARE MILLIMETER OR 1/16 INCH

1-PLACE: N/A
2-PLACE: N/A
ANGULAR: N/A

THIRD ANGLE PROJECTION

CONFIDENTIALITY NOTICE

MATERIAL SPECIFICATION: N/A

REV. NO. 24

DATE: 07-07-14

SCALE: 3:4

SUPERSEDES DWG. NO. / REV. NO.: 497-1671-00/001

DATE: 07-07-14

SCALE: 3:4

DATE FORMAT: MM-DD-YY

TITLE: REF DWG-WELD COMP ASSM

SHEET 1 OF 1

UNCONTROLLED - DO NOT MODIFY