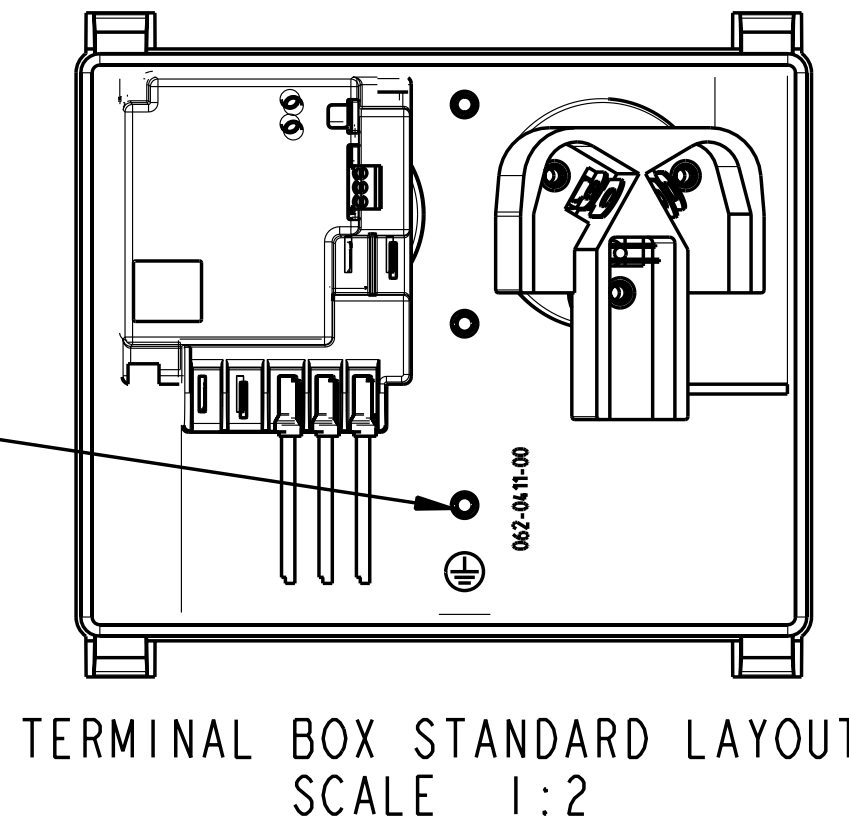
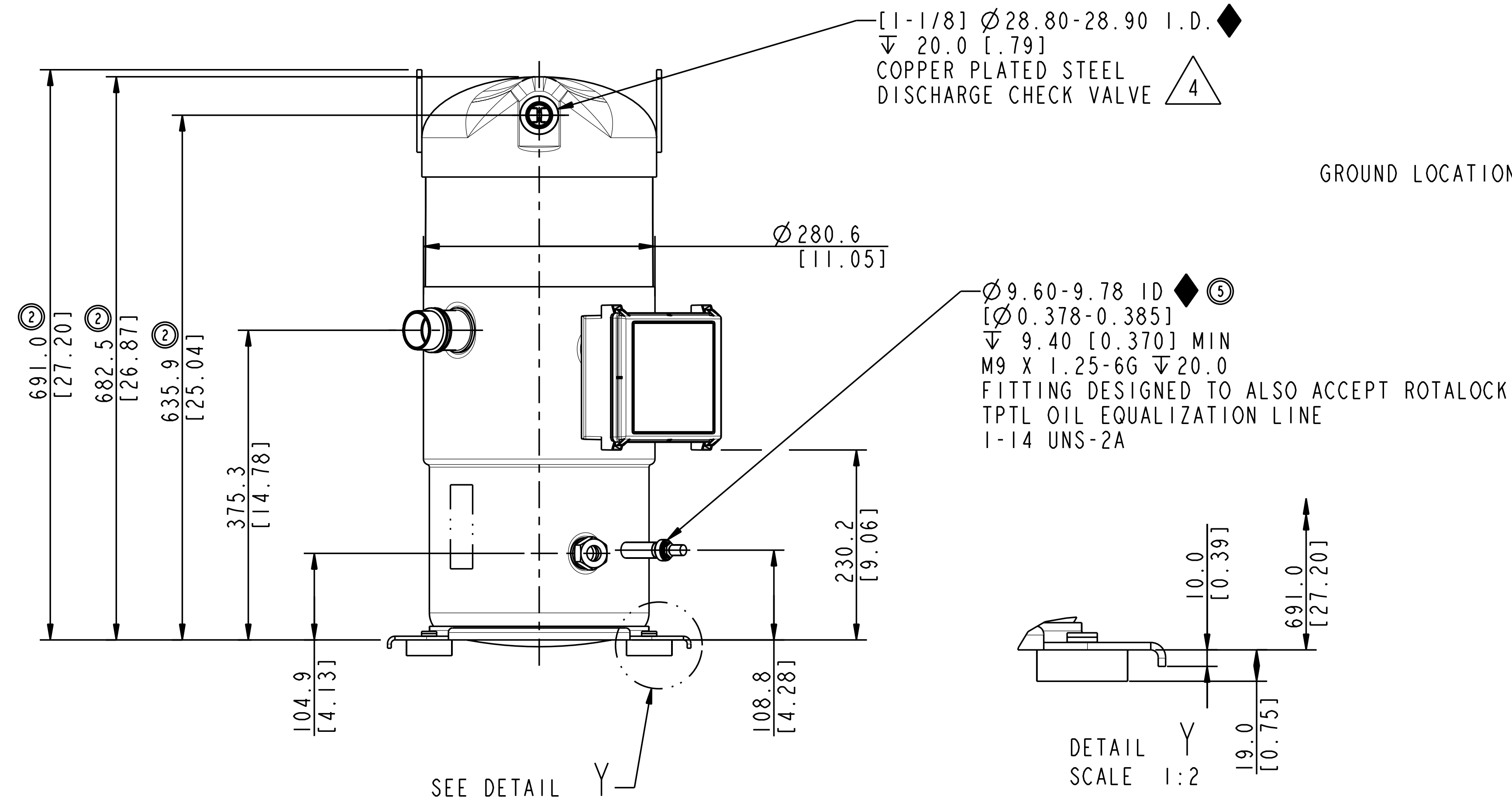
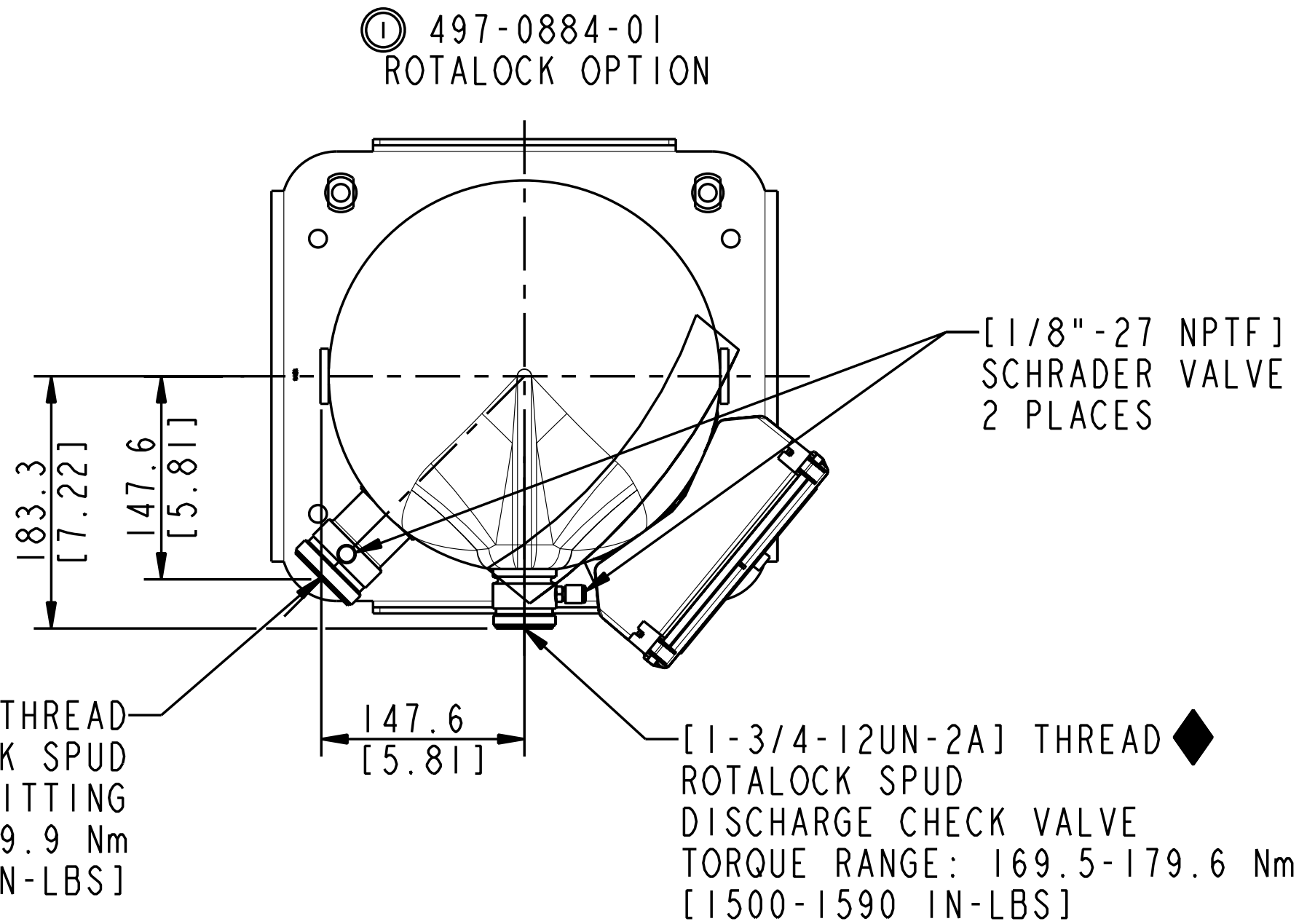
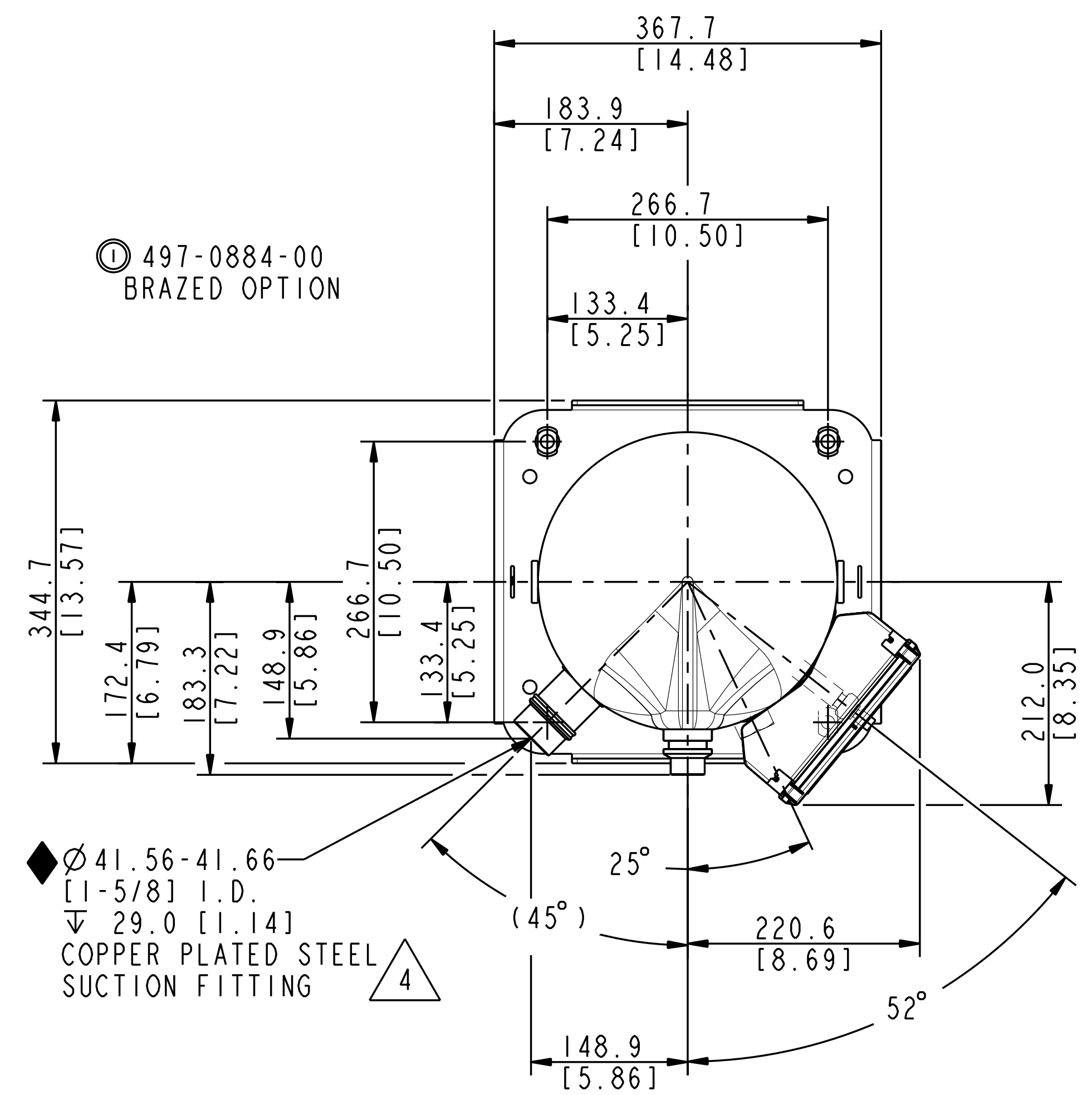


①	PART NUMBER	MODEL NUMBER	CUSTOMER CONNECTION
	497-0884-00	ZP236/296	BRAZED
②	497-0884-01	ZP236/296	ROTALOCK

SPECIFICATIONS	
ES NO.	DESCRIPTION
ES92-155	CONVERSION-METRIC
ES81-340	TORQUE SPEC



**NOTES:**

① ALL TOLERANCES ±1.5 [0.06] UNLESS OTHERWISE SPECIFIED.

◆ ALL FITTINGS: ±3.0 [0.12]

2. MOUNTING KIT: 527-0175-02

3. TUBE ENDS MUST BE PLUGGED.

④ 0.05 [0.002] MIN. THICK COPPER PLATED STEEL FITTING.

ALERT CODE (WED)	TYPE	EVENT	SYMBOLS / SYMBOLES / SYMBOLE
1	SOLID	LOSS OF FUNCTION	① PROTECTOR MODULE VOLTAGE / TENSION DU MODULE DE PROTECTION / ANSCHLUSSPANNUNG DES SCHÜTZGERÄTES
2	TRIP	MOTOR HIGH TEMPERATURE	② TO CONTROL CIRCUIT / VERS LE CIRCUIT DE COMMANDE / ZUM STEUERSTRICHWEIS
3	LOCKOUT/TRIP	OPEN / SHORT MOTOR THERMISTOR	③ THERMAL SENSORS DO NOT SHORT / NE PAS PONTER LES CAPTEURS THERMIQUES
4	LOCKOUT	SHORT CYCLING	④ TEMPERATURESENSORS NICHT HERBEREICHEN
5	LOCKOUT/TRIP	SCROLL HIGH TEMPERATURE	⑤ PHASE SENSING / DETECTION PHASES / PHASEN HERBEREICHUNG
6	N/A	FUTURE USE	
7	LOCKOUT/TRIP	WISSING PHASE	
8	LOCKOUT	REVERSE PHASE	
9	N/A	FUTURE USE	
10	TRIP	MODULE LOW VOLTAGE	

**WIRING DIAGRAM:**

① MOTOR WINDINGS CONNECTIONS / BORNES DES ENBOULIERS DU MOTEUR / ANSCHLUSS DER MOTORWICKLUNGEN

② DIP SWITCHES

③ TEMP SENSORS

④ FOR USE WITH BRIBAN SET (PHASE SENSING) MODULE

**WIRING TABLE:**

WIRING	TYPE	EVENT
1	NORMAL	NORMAL OPERATION
2	WARNING	LOSS OF COMMUNICATION
3	WARNING	FUTURE USE
4	WARNING	SHORT CYCLING
5	WARNING	OPEN / SHORT MOTOR THERMISTOR
6	WARNING	FUTURE USE

**WIRING TABLE (continued):**

WIRING	TYPE	EVENT
7	WARNING	SCROLL HIGH TEMPERATURE
8	WARNING	WISSING PHASE
9	WARNING	REVERSE PHASE
10	WARNING	MODULE LOW VOLTAGE

**WIRING TABLE (continued):**

WIRING	TYPE	EVENT
11	WARNING	TEMPERATURESENSORS NICHT HERBEREICHEN
12	WARNING	PHASE SENSING / DETECTION PHASES / PHASEN HERBEREICHUNG
13	WARNING	SHORT CYCLING
14	WARNING	OPEN / SHORT MOTOR THERMISTOR
15	WARNING	FUTURE USE

**WIRING TABLE (continued):**

WIRING	TYPE	EVENT
16	WARNING	SCROLL HIGH TEMPERATURE
17	WARNING	WISSING PHASE
18	WARNING	REVERSE PHASE
19	WARNING	MODULE LOW VOLTAGE
20	WARNING	FUTURE USE

**WIRING TABLE (continued):**

WIRING	TYPE	EVENT
21	WARNING	TEMPERATURESENSORS NICHT HERBEREICHEN
22	WARNING	PHASE SENSING / DETECTION PHASES / PHASEN HERBEREICHUNG
23	WARNING	SHORT CYCLING
24	WARNING	OPEN / SHORT MOTOR THERMISTOR
25	WARNING	FUTURE USE

**WIRING TABLE (continued):**

WIRING	TYPE	EVENT
26	WARNING	SCROLL HIGH TEMPERATURE
27	WARNING	WISSING PHASE
28	WARNING	REVERSE PHASE
29	WARNING	MODULE LOW VOLTAGE
30	WARNING	FUTURE USE

**WIRING TABLE (continued):**

WIRING	TYPE	EVENT
31	WARNING	TEMPERATURESENSORS NICHT HERBEREICHEN
32	WARNING	PHASE SENSING / DETECTION PHASES / PHASEN HERBEREICHUNG
33	WARNING	SHORT CYCLING
34	WARNING	OPEN / SHORT MOTOR THERMISTOR
35	WARNING	FUTURE USE

**WIRING TABLE (continued):**

WIRING	TYPE	EVENT
36	WARNING	SCROLL HIGH TEMPERATURE
37	WARNING	WISSING PHASE
38	WARNING	REVERSE PHASE
39	WARNING	MODULE LOW VOLTAGE
40	WARNING	FUTURE USE

**WIRING TABLE (continued):**

WIRING	TYPE	EVENT
41	WARNING	TEMPERATURESENSORS NICHT HERBEREICHEN
42	WARNING	PHASE SENSING / DETECTION PHASES / PHASEN HERBEREICHUNG
43	WARNING	SHORT CYCLING
44	WARNING	OPEN / SHORT MOTOR THERMISTOR
45	WARNING	FUTURE USE

**WIRING TABLE (continued):**

WIRING	TYPE	EVENT
46	WARNING	SCROLL HIGH TEMPERATURE
47	WARNING	WISSING PHASE
48	WARNING	REVERSE PHASE
49	WARNING	MODULE LOW VOLTAGE
50	WARNING	FUTURE USE

**WIRING TABLE (continued):**

WIRING	TYPE	EVENT
51	WARNING	TEMPERATURESENSORS NICHT HERBEREICHEN
52	WARNING	PHASE SENSING / DETECTION PHASES / PHASEN HERBEREICHUNG
53	WARNING	SHORT CYCLING
54	WARNING	OPEN / SHORT MOTOR THERMISTOR
55	WARNING	FUTURE USE

**WIRING TABLE (continued):**

WIRING	TYPE	EVENT
56	WARNING	SCROLL HIGH TEMPERATURE
57	WARNING	WISSING PHASE
58	WARNING	REVERSE PHASE
59	WARNING	MODULE LOW VOLTAGE
60	WARNING	FUTURE USE

**WIRING TABLE (continued):**

WIRING	TYPE	EVENT
61	WARNING	TEMPERATURESENSORS NICHT HERBEREICHEN
62	WARNING	PHASE SENSING / DETECTION PHASES / PHASEN HERBEREICHUNG
63	WARNING	SHORT CYCLING
64	WARNING	OPEN / SHORT MOTOR THERMISTOR
65	WARNING	FUTURE USE

**WIRING TABLE (continued):**

WIRING	TYPE	EVENT
66	WARNING	SCROLL HIGH TEMPERATURE
67	WARNING	WISSING PHASE
68	WARNING	REVERSE PHASE
69	WARNING	MODULE LOW VOLTAGE
70	WARNING	FUTURE USE

**WIRING TABLE (continued):**

WIRING	TYPE	EVENT
71	WARNING	TEMPERATURESENSORS NICHT HERBEREICHEN
72	WARNING	PHASE SENSING / DETECTION PHASES / PHASEN HERBEREICHUNG
73	WARNING	SHORT CYCLING
74	WARNING	OPEN / SHORT MOTOR THERMISTOR
75	WARNING	FUTURE USE

**WIRING TABLE (continued):**

WIRING	TYPE	EVENT
76	WARNING	SCROLL HIGH TEMPERATURE
77	WARNING	WISSING PHASE
78	WARNING	REVERSE PHASE
79	WARNING	MODULE LOW VOLTAGE
80	WARNING	FUTURE USE

**WIRING TABLE (continued):**

WIRING	TYPE	EVENT
81	WARNING	TEMPERATURESENSORS NICHT HERBEREICHEN
82	WARNING	PHASE SENSING / DETECTION PHASES / PHASEN HERBEREICHUNG
83	WARNING	SHORT CYCLING
84	WARNING	OPEN / SHORT MOTOR THERMISTOR
85	WARNING	FUTURE USE

**WIRING TABLE (continued):**

WIRING	TYPE	EVENT
86	WARNING	SCROLL HIGH TEMPERATURE
87	WARNING	WISSING PHASE
88	WARNING	REVERSE PHASE
89	WARNING	MODULE LOW VOLTAGE
90	WARNING	FUTURE USE

**WIRING TABLE (continued):**

WIRING	TYPE	EVENT
91	WARNING	TEMPERATURESENSORS NICHT HERBEREICHEN
92	WARNING	PHASE SENSING / DETECTION PHASES / PHASEN HERBEREICHUNG
93	WARNING	SHORT CYCLING
94	WARNING	OPEN / SHORT MOTOR THERMISTOR
95	WARNING	FUTURE USE

**WIRING TABLE (continued):**

WIRING	TYPE	EVENT
96	WARNING	SCROLL HIGH TEMPERATURE
97	WARNING	WISSING PHASE
98	WARNING	REVERSE PHASE
99	WARNING	MODULE LOW VOLTAGE
100	WARNING	FUTURE USE

**WIRING TABLE (continued):**

WIRING	TYPE	EVENT
101	WARNING	TEMPERATURESENSORS NICHT HERBEREICHEN
102	WARNING	PHASE SENSING / DETECTION PHASES / PHASEN HERBEREICHUNG
103	WARNING	SHORT CYCLING
104	WARNING	OPEN / SHORT MOTOR THERMISTOR
105	WARNING	FUTURE USE

**WIRING TABLE (continued):**

WIRING	TYPE	EVENT
106	WARNING	SCROLL HIGH TEMPERATURE
107	WARNING	WISSING PHASE
108	WARNING	REVERSE PHASE
109	WARNING	MODULE LOW VOLTAGE
110	WARNING	FUTURE USE

**WIRING TABLE (continued):**

WIRING	TYPE	EVENT
111	WARNING	TEMPERATURESENSORS NICHT HERBEREICHEN
112	WARNING	PHASE SENSING / DETECTION PHASES / PHASEN HERBEREICHUNG
113	WARNING	SHORT CYCLING
114	WARNING	OPEN / SHORT MOTOR THERMISTOR
115	WARNING	FUTURE USE

**WIRING TABLE (continued):**

WIRING	TYPE	EVENT
116	WARNING	SCROLL HIGH TEMPERATURE
117	WARNING	WISSING PHASE
118	WARNING	REVERSE PHASE
119	WARNING	MODULE LOW VOLTAGE
120	WARNING	FUTURE USE

**WIRING TABLE (continued):**

WIRING	TYPE	EVENT
121	WARNING	TEMPERATURESENSORS NICHT HERBEREICHEN
122	WARNING	PHASE SENSING / DETECTION PHASES / PHASEN HERBEREICHUNG
123	WARNING	SHORT CYCLING
124	WARNING	OPEN / SHORT MOTOR THERMISTOR
125	WARNING	FUTURE USE

**WIRING TABLE (continued):**

WIRING	TYPE	EVENT
126	WARNING	SCROLL HIGH TEMPERATURE
127	WARNING	WISSING PHASE
128	WARNING	REVERSE PHASE
129	WARNING	MODULE LOW VOLTAGE
130	WARNING	FUTURE USE

**WIRING TABLE (continued):**

WIRING	TYPE	EVENT
131	WARNING	TEMPERATURESENSORS NICHT HERBEREICHEN
132	WARNING	PHASE SENSING / DETECTION PHASES / PHASEN HERBEREICHUNG
133	WARNING	SHORT CYCLING
134	WARNING	OPEN / SHORT MOTOR THERMISTOR
135	WARNING	FUTURE USE

**WIRING TABLE (continued):**

WIRING	TYPE	EVENT
136	WARNING	SCROLL HIGH TEMPERATURE
137	WARNING	WISSING PHASE
138	WARNING	REVERSE PHASE
139	WARNING	MODULE LOW VOLTAGE
140	WARNING	FUTURE USE

**WIRING TABLE (continued):**

WIRING	TYPE	EVENT
141	WARNING	TEMPERATURESENSORS NICHT HERBEREICHEN
142	WARNING	PHASE SENSING / DETECTION PHASES / PHASEN HERBEREICHUNG
143	WARNING	SHORT CYCLING
144	WARNING	OPEN / SHORT MOTOR THERMISTOR
145	WARNING	FUTURE USE

**WIRING TABLE (continued):**

WIRING	TYPE	EVENT
146	WARNING	SCROLL HIGH TEMPERATURE
147	WARNING	WISSING PHASE
148	WARNING	REVERSE PHASE
149	WARNING	MODULE LOW VOLTAGE
150	WARNING	FUTURE USE

**WIRING TABLE (continued):**

WIRING	TYPE	EVENT
151	WARNING	TEMPERATURESENSORS NICHT HERBEREICHEN
152	WARNING	PHASE SENSING / DETECTION PHASES / PHASEN HERBEREICHUNG
153	WARNING	SHORT CYCLING
154	WARNING	OPEN / SHORT MOTOR THERMISTOR
155	WARNING	FUTURE USE

**WIRING TABLE (continued):**

WIRING	TYPE	EVENT
156	WARNING	SCROLL HIGH TEMPERATURE
157	WARNING	WISSING PHASE
158	WARNING	REVERSE PHASE
159	WARNING	MODULE LOW VOLTAGE
160	WARNING	FUTURE USE

**WIRING TABLE (continued):**

WIRING	TYPE	EVENT
161	WARNING	TEMPERATURESENSORS NICHT HERBEREICHEN
162	WARNING	PHASE SENSING / DETECTION PHASES / PHASEN HERBEREICHUNG
163	WARNING	SHORT CYCLING
164	WARNING	OPEN / SHORT MOTOR THERMISTOR
165	WARNING	FUTURE USE

**WIRING TABLE (continued):**

WIRING	TYPE	EVENT
166	WARNING	SCROLL HIGH TEMPERATURE
167	WARNING	WISSING PHASE
168	WARNING	REVERSE PHASE
169	WARNING	MODULE LOW VOLTAGE
170	WARNING	FUTURE USE

**WIRING TABLE (continued):**

WIRING	TYPE	EVENT
171	WARNING	TEMPERATURESENSORS NICHT HERBEREICHEN
172	WARNING	PHASE SENSING / DETECTION PHASES / PHASEN HERBEREICHUNG
173	WARNING	SHORT CYCLING
174	WARNING	OPEN / SHORT MOTOR THERMISTOR
175	WARNING	FUTURE USE

**WIRING TABLE (continued):**

WIRING	TYPE	EVENT
176	WARNING	SCROLL HIGH TEMPERATURE
177	WARNING	WISSING PHASE
178	WARNING	REVERSE PHASE
179	WARNING	MODULE LOW VOLTAGE
180	WARNING	FUTURE USE

**WIRING TABLE (continued):**

WIRING	TYPE	EVENT
181	WARNING	TEMPERATURESENSORS NICHT HERBEREICHEN
182	WARNING	PHASE SENSING / DETECTION PHASES / PHASEN HERBEREICHUNG
183	WARNING	SHORT CYCLING
184	WARNING	OPEN / SHORT MOTOR THERMISTOR
185	WARNING	FUTURE USE

**WIRING TABLE (continued):**

WIRING	TYPE	EVENT
186	WARNING	SCROLL HIGH TEMPERATURE
187	WARNING	WISSING PHASE
188	WARNING	REVERSE PHASE
189	WARNING	MODULE LOW VOLTAGE
190	WARNING	FUTURE USE

**WIRING TABLE (continued):**

WIRING	TYPE	EVENT
191	WARNING	TEMPERATURESENSORS NICHT HERBEREICHEN
192	WARNING	PHASE SENSING / DETECTION PHASES / PHASEN HERBEREICHUNG
193	WARNING	SHORT CYCLING
194	WARNING	OPEN / SHORT MOTOR THERMISTOR
195	WARNING	FUTURE USE

**WIRING TABLE (continued):**

WIRING	TYPE	EVENT
196	WARNING	SCROLL HIGH TEMPERATURE
197	WARNING	WISSING PHASE
198	WARNING	REVERSE PHASE
199	WARNING	MODULE LOW VOLTAGE
200	WARNING	FUTURE USE

**WIRING TABLE (continued):**

WIRING	TYPE	EVENT
201	WARNING	TEMPERATURESENSORS NICHT HERBEREICHEN
202	WARNING	PHASE SENSING / DETECTION PHASES / PHASEN HERBEREICHUNG
203	WARNING	SHORT CYCLING
204	WARNING	OPEN / SHORT MOTOR THERMISTOR
205	WARNING	FUTURE USE

**WIRING TABLE (continued):**

WIRING	TYPE	EVENT
206	WARNING	SCROLL HIGH TEMPERATURE
207	WARNING	WISSING PHASE
208	WARNING	REVERSE PHASE
209	WARNING	MODULE LOW VOLTAGE
210	WARNING	FUTURE USE

**WIRING TABLE (continued):**

WIRING	TYPE	EVENT
211	WARNING	TEMPERATURESENSORS NICHT HERBEREICHEN
212	WARNING	PHASE SENSING / DETECTION PHASES / PHASEN HERBEREICHUNG
213	WARNING	SHORT CYCLING
214	WARNING	OPEN / SHORT MOTOR THERMISTOR
215	WARNING	FUTURE USE

**WIRING TABLE (continued):**

WIRING	TYPE	EVENT
216	WARNING	SCROLL HIGH TEMPERATURE
217	WARNING	WISSING PHASE
218	WARNING	REVERSE PHASE
219	WARNING	MODULE LOW VOLTAGE
220	WARNING	FUTURE USE

**WIRING TABLE (continued**