



מקט דיין: 7551

Specifications

AC Axial Fan

Model : YWF6E-500

Type : S-B5L

Coding : E04190064

Version: V1.0

Date : 2022.09.06

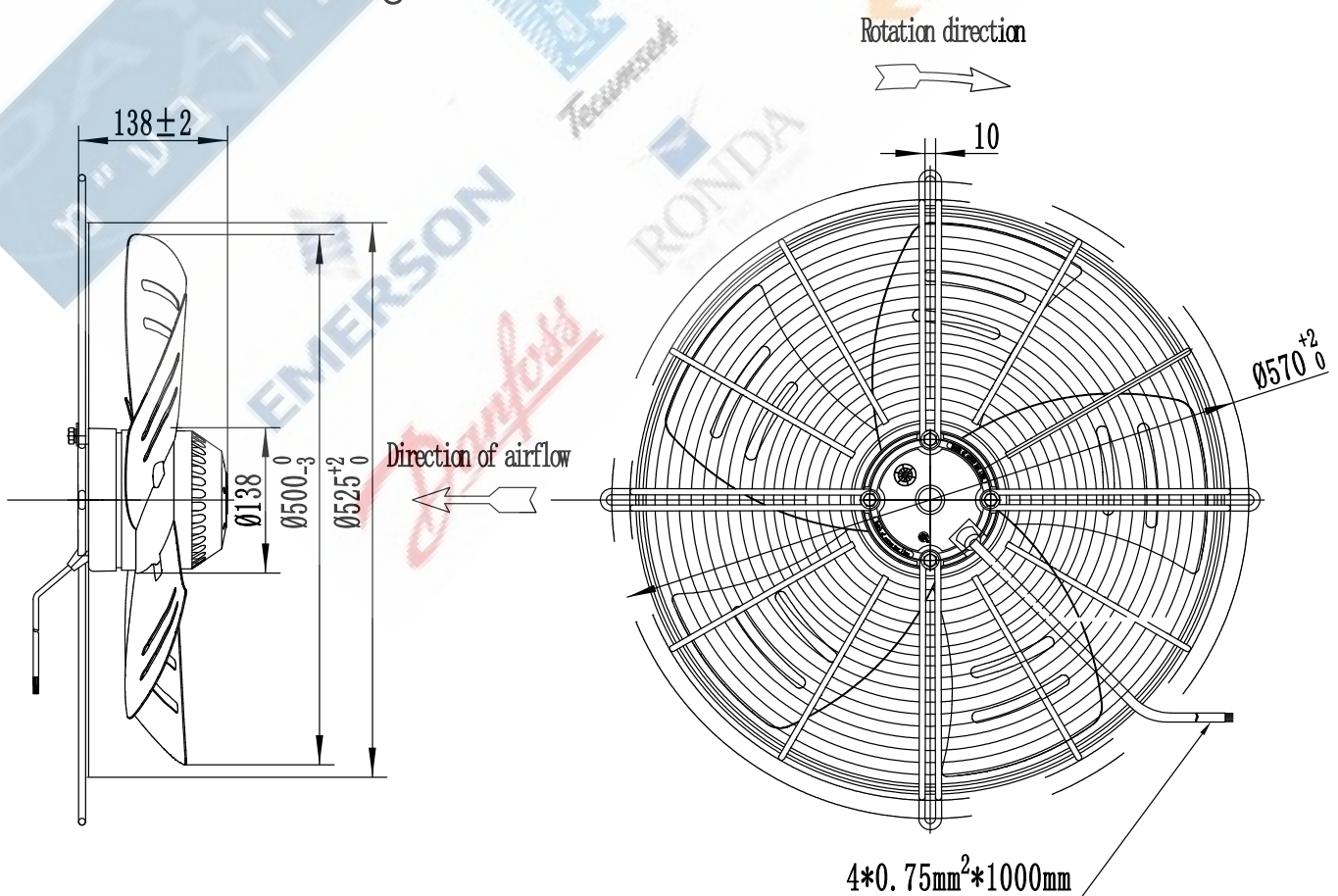
Version	Status	Version update instructions	Date	DRN BY	CHK BY
V1.0	Effective	Initial release	2022-09-06	ZH. Shao	XQ. Chen



Standards

- GB12350 《Safety Requirments of small Power motors》
- EN60335-1 《Safety Requirments of Household of Similar Electrical Appliances》
- The level of balance is in accordance with ISO 1940, G4.0
- Vibration testing and velocity is performed according to JB/T8689.
- This product is certified by China CCC and EU CE
- ISO 9001 quality system certification
- Standard of noise test:ISO 13347 《Determination of fan sound power levels under standardized laboratory conditions》
- The fan performance data is accurate and reliable, conforming to GB/T1236-2017 and 《Industrial fans-performance testing using standardize dairways》 in ISO5801-2007 standards.

Product Drawings





Technical Parameters

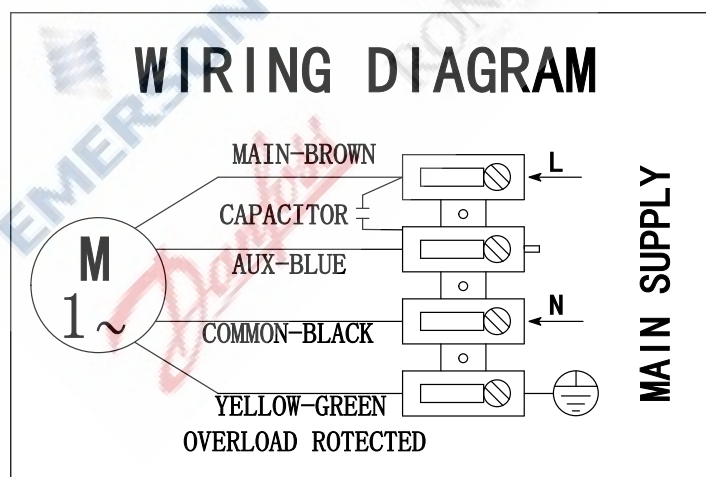
Power supply	Phase	1
Frequency	Hz	50
Wiring		-
Capacitance	μF	8
Input Voltage	V	230
Input Current	A	1.04
Input Power	W	205
Rated Speed	r/min	915
Fan Noise	dB(A)	58
Fan Steering		Counterclockwise(From the motor)
Fan Life	h	40000
Fan Weight	kg	-
Protection Level		IP54
Insulation Class		F
Balance Level		G4.0
Ambient Temperature	$^{\circ}C$	-40~+60
Environment Humidity		$\leq 90\%RH$
Impeller Material		Metal
Spray Color		-
Operating Status		S1



Label and Product wiring diagram

External Rotor Axial Fan					CE
YWF6E-500	S-B5L	E04190064			EAC
230V	50Hz	1.04A	205W	8 μ F/450V	
915r/min	5120m ³ /h	75Pa	CL.F	Date:2022.XX	

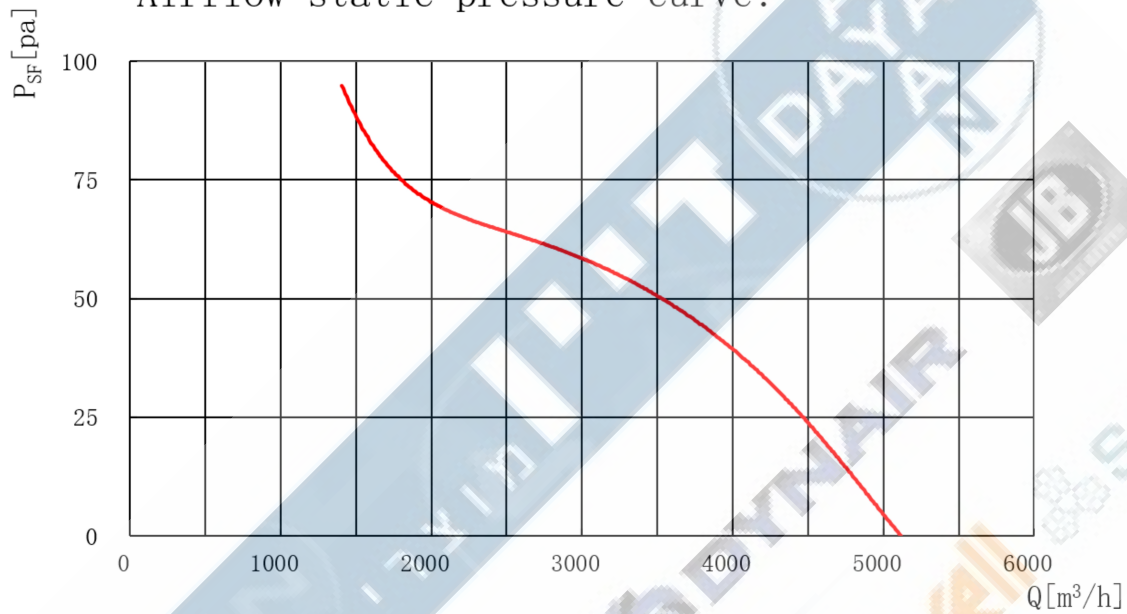
Product wiring diagram





Product Performance

Airflow-static pressure curve:



St. P.	Air Flow	Speed	Voltage	Freq.	Current	Power
Pa	m3/h	RPM	V	Hz	Amp	W
0	5119	938	229	50	1.07	208
20	4601	929	226	50	1.09	215
35	4196	922	230	50	1.13	227
43	3804	921	233	50	1.17	237
53	3401	918	233	50	1.18	242
57	3001	915	233	50	1.20	247
65	2599	910	233	50	1.21	252
65	2202	910	233	50	1.21	251
76	1801	900	232	50	1.24	259
95	1408	887	233	50	1.30	278