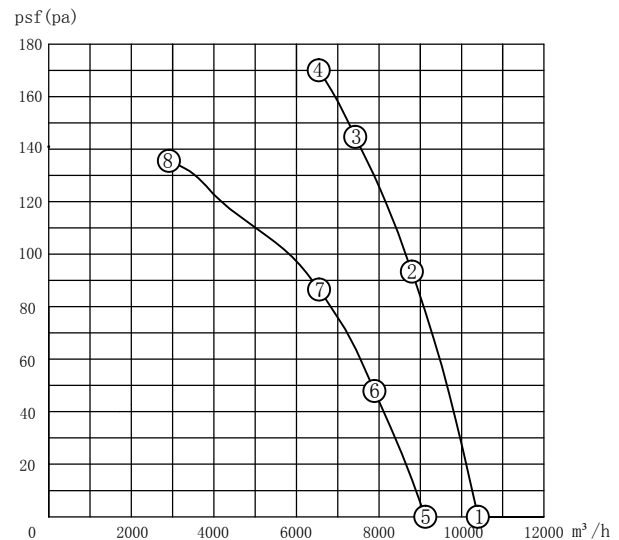
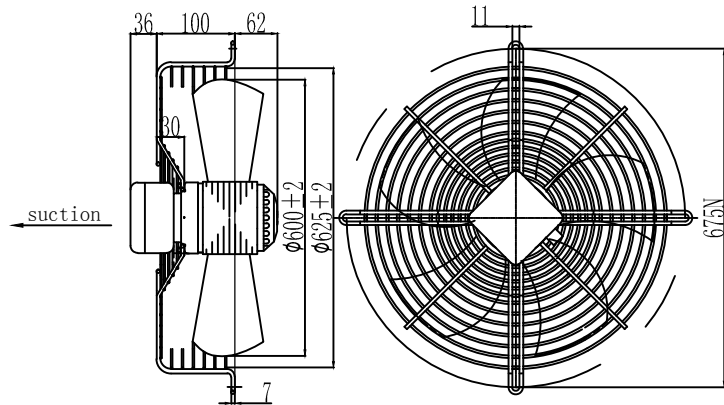


Product model	YSWF102L60P4-675N-600 S
product type	External rotor axial flow fan
customer	以色列DAYAN
Product number	
certification	CCC、CE



PS: Fan working performance tested with Maer wall plate, and under standard atmospheric pressure at 20 °C.

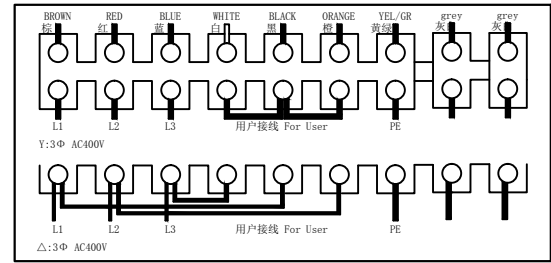
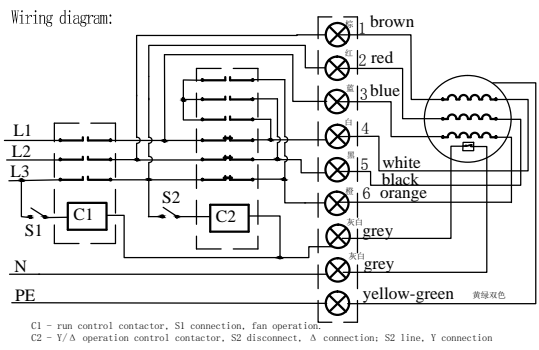
Performance parameters at key point:

△	psf	I	P1	n	Q	Note
	(pa)	(A)	(W)	(r/min)	(m³/h)	
①	0	1.31	602	1407	10402	
②	94	1.47	744	1381	8781	
③	145	1.56	825	1365	7405	MAX EFF.
④	168	1.61	866	1356	6615	IMAX
Y						
⑤	0	0.78	478	1229	9124	
⑥	47	0.90	552	1170	7903	
⑦	86	0.98	603	1125	6581	MAX EFF.
⑧	135	1.14	706	1002	2913	IMAX

Condition of use:

- 1) voltage and frequency: $3 \sim 400 V \pm 5\%$, 50 Hz.
- 2) Lead cable: Terminal block, the recommended standard of lead wire is not less than 0.75 mm².
- 3) Installation position: vertical or upward.
- 4) ambient temperature: $-10 \sim 70^\circ C$.

The external wiring diagram:



Technical specification:

1. All parts of fan should be properly assembled, no oil or dirt on the surface, no obvious distortion, mechanical damage and other defects.
2. Fan rotation is flexible, no delay, no operation sound, no scratch and other undesirable phenomena.
3. The safety requirement of fan is performed according to GB12350-2009, the electrical strength is 1800V.S, and the insulation resistance is not less than 100M at room temperature.
4. Motor insulation class, F CLASS.
5. Motor protection level, IP54, fan protection level, IP2X.
6. The fan balance level is: $1380 \pm 10\%$ r/min high than G6.3, vibration value is less than 5.4mm/s.
7. External TMP.

Test data at free :

connection	UAC (V) ±5%	F (Hz)	P1 (W) ±10%	I (A) ±10%	n (r/min) ±10%	Noise dB(A)
△	3~400	50	850	1.8	1380	75
Y	3~400	50	700	1.15	1200	74

Nameplate:

DYN-4D S600-T-F 400V/50Hz CL.F
CE

△ : 850W 1.8A 1380r/min
Y : 700W 1.15A 1200r/min IP54 2018/07

	The signature	(date) (month) (year)	Product Specification
state	deliver before		
	after the confirmation		
drawing			
audit			
approval			