



Specifications

7792 : מקט

AC Axial Fan

Model : YWF2E-200

Type : S-E5Z

Coding : E04010094

Version: V1.0

Date : 2022.03.02

EMERSON

Danfoss

RONDA

ILVA

SANHUA

JB

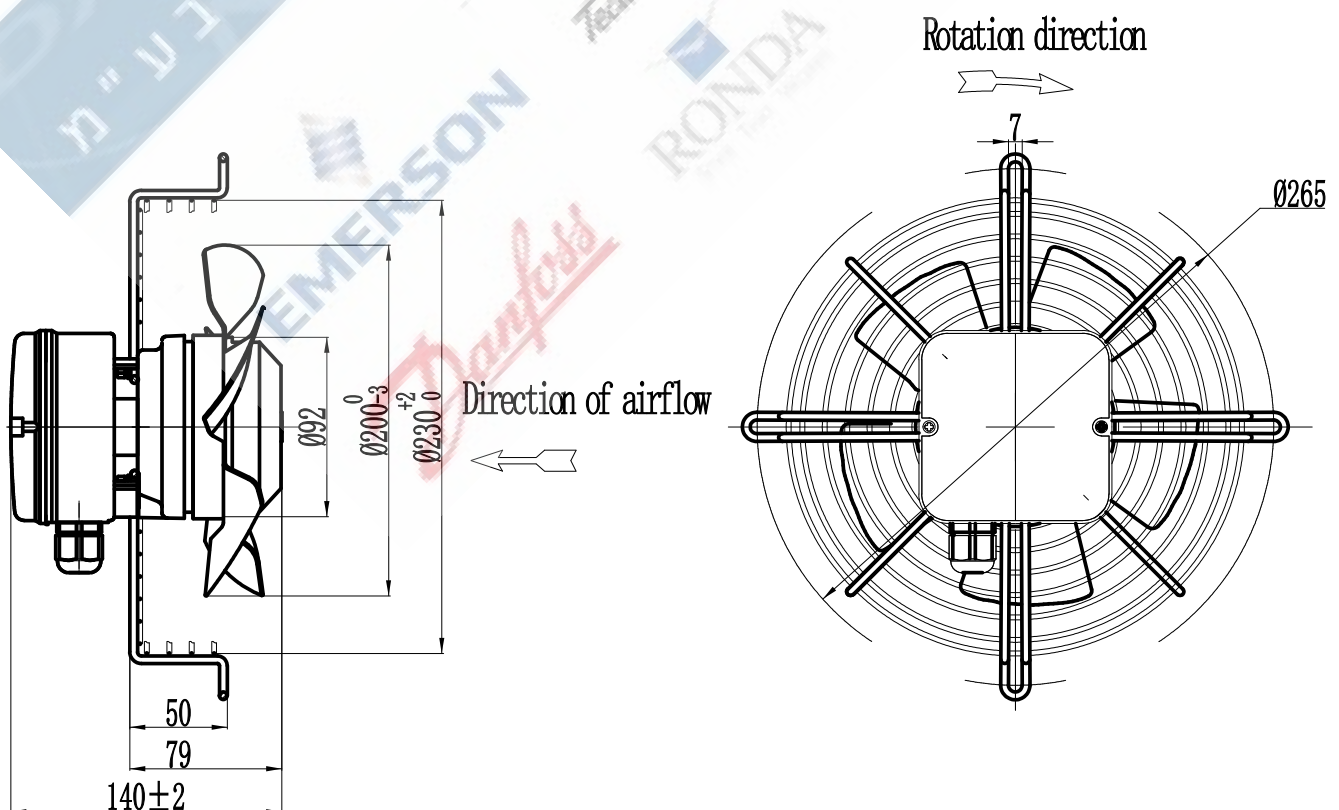
TECUMSEH



Standards

- GB12350 《Safety Requirements of small Power motors》
- EN60335-1 《Safety Requirements of Household of Similar Electrical Appliances》
- The level of balance is in accordance with ISO 1940, G4.0
- Vibration testing and velocity is performed according to JB/T8689.
- This product is certified by China CCC and EU CE
- ISO 9001 quality system certification
- Standard of noise test: ISO 13347 《Determination of fan sound power levels under standardized laboratory conditions》
- The fan performance data is accurate and reliable, conforming to GB/T1236-2017 and 《Industrial fans-performance testing using standardize dairways》 in ISO5801-2007 standards.

Product Drawings





Technical Parameters

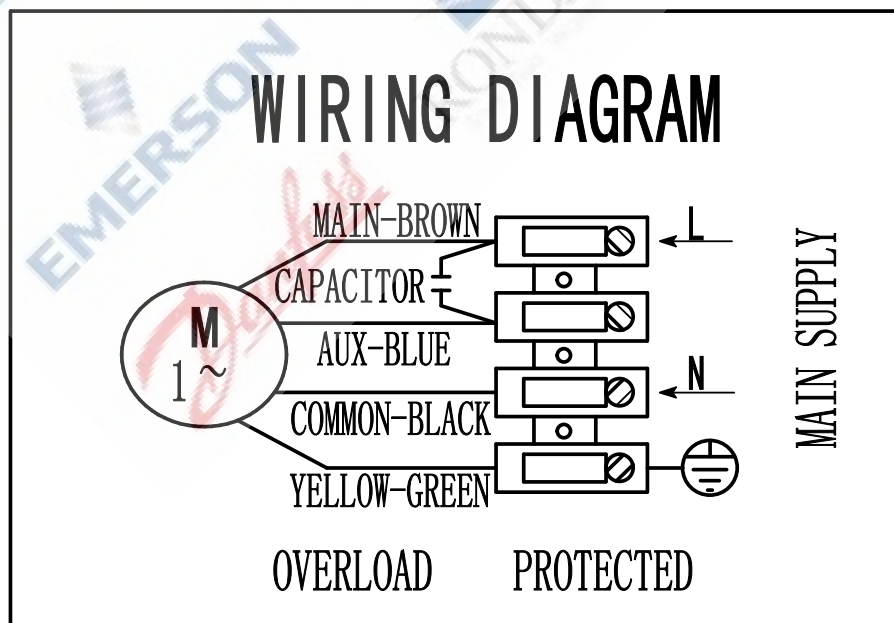
Power supply	Phase	1
Frequency	HZ	50
Wiring	-	-
Capacitance	μ F	2
Input Voltage	V	220
Input Current	A	0.29
Input Power	W	65
Rated Speed	r/min	2615
Fan Noise	dB(A)	65
Fan Steering		Counterclockwise (From the motor)
Fan Life	h	40000
Fan Weight	kg	2.0
Protection Level		IP54
Insulation Class		F
Balance Level		G4.0
Ambient Temperature	$^{\circ}$ C	-40~+60
Environment Humidity		\leq 90%RH
Impeller Material		Metal
Spray Color		-
Operating Status		S1



Label

External Rotor Axial Fan					CE
YWF2E-200	S-E5Z	E04010094			EAC
220V	50Hz	0.29A	65W	2 μ F/450V	
2615r/min	710m ³ /h	80Pa	CL.F	Date:2022.XX	

Product wiring diagram





Product Performance

Airflow-static pressure curve:



St. P.	Air Flow	Speed	Voltage	Freq.	Current	Power
Pa	m ³ /h	RPM	V	Hz	Amp	W
1	711	2680	227	50	0.28	60
24	654	2666	231	50	0.28	63
44	603	2635	231	50	0.29	65
54	550	2622	227	50	0.28	63
71	501	2613	230	50	0.29	65
80	452	2612	229	50	0.29	64
88	403	2621	233	50	0.29	66
92	352	2626	231	50	0.29	65
115	304	2598	230	50	0.29	65
144	245	2571	227	50	0.29	65