



# Specifications

7794 :טקמ

AC Axial Fan

Model : YWF2E-250

Type : S-E5Z

Coding : E04020055

Version: V1.0

Date : 2022.03.02

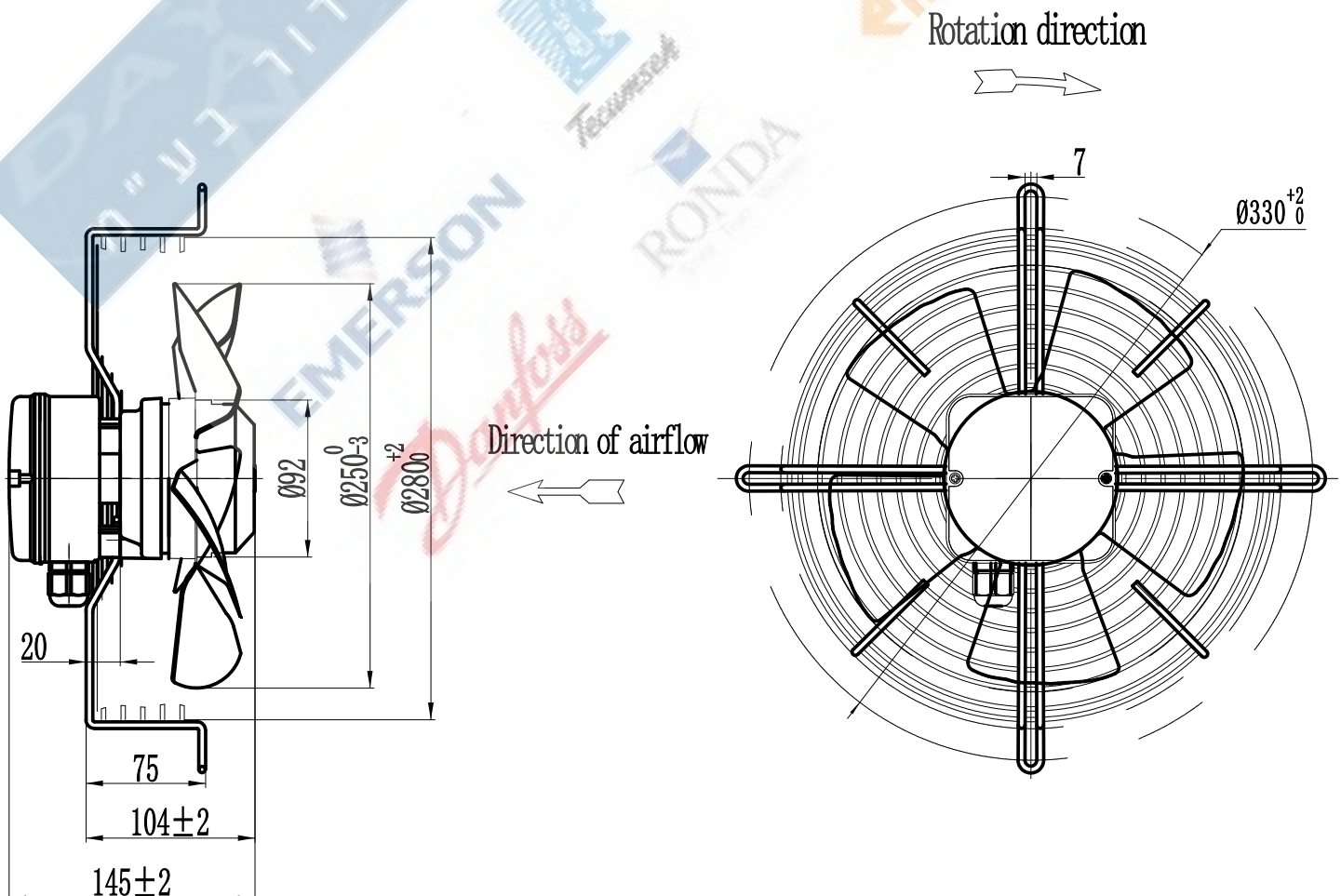
Version	Status	Version update instructions	Date	DRN BY	CHK BY
V1.0	Effective	Initial release	2021-03-02	JX. Chen	XQ. Chen



## Standards

- GB12350 《Safety Requirements of small Power motors》
- EN60335-1 《Safety Requirements of Household of Similar Electrical Appliances》
- The level of balance is in accordance with ISO 1940, G4.0
- Vibration testing and velocity is performed according to JB/T8689.
- This product is certified by China CCC and EU CE
- ISO 9001 quality system certification
- Standard of noise test: ISO 13347 《Determination of fan sound power levels under standardized laboratory conditions》
- The fan performance data is accurate and reliable, conforming to GB/T1236-2017 and 《Industrial fans-performance testing using standardize dairways》 in ISO5801-2007 standards.

## Product Drawings





## Technical Parameters

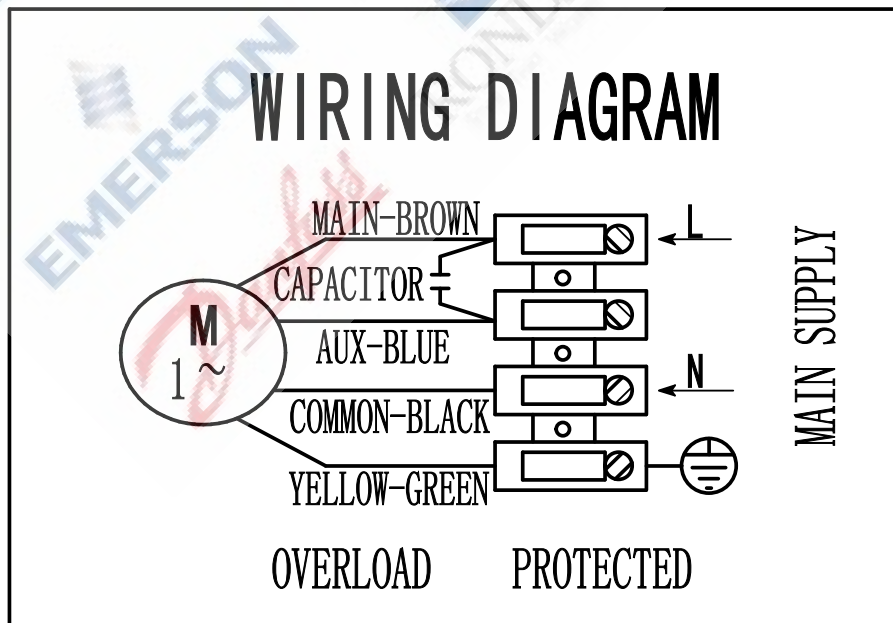
Power supply	Phase	1
Frequency	HZ	50
Wiring	-	-
Capacitance	$\mu F$	4.0
Input Voltage	V	220
Input Current	A	0.59
Input Power	W	135
Rated Speed	r/min	2435
Fan Noise	dB(A)	75
Fan Steering		Counterclockwise(From the motor)
Fan Life	h	40000
Fan Weight	kg	-
Protection Level		IP54
Insulation Class		F
Balance Level		G4.0
Ambient Temperature	$^{\circ}C$	-40~+60
Environment Humidity		$\leq 90\%RH$
Impeller Material		Metal
Spray Color		-
Operating Status		S1



# Label

External Rotor Axial Fan					CE
YWF2E-250	S-E5Z	E04020055			EAC
220V	50Hz	0.59A	135W	4 $\mu$ F/450V	
2435r/min	1565m <sup>3</sup> /h	120Pa	CL. F	Date:2022. XX	

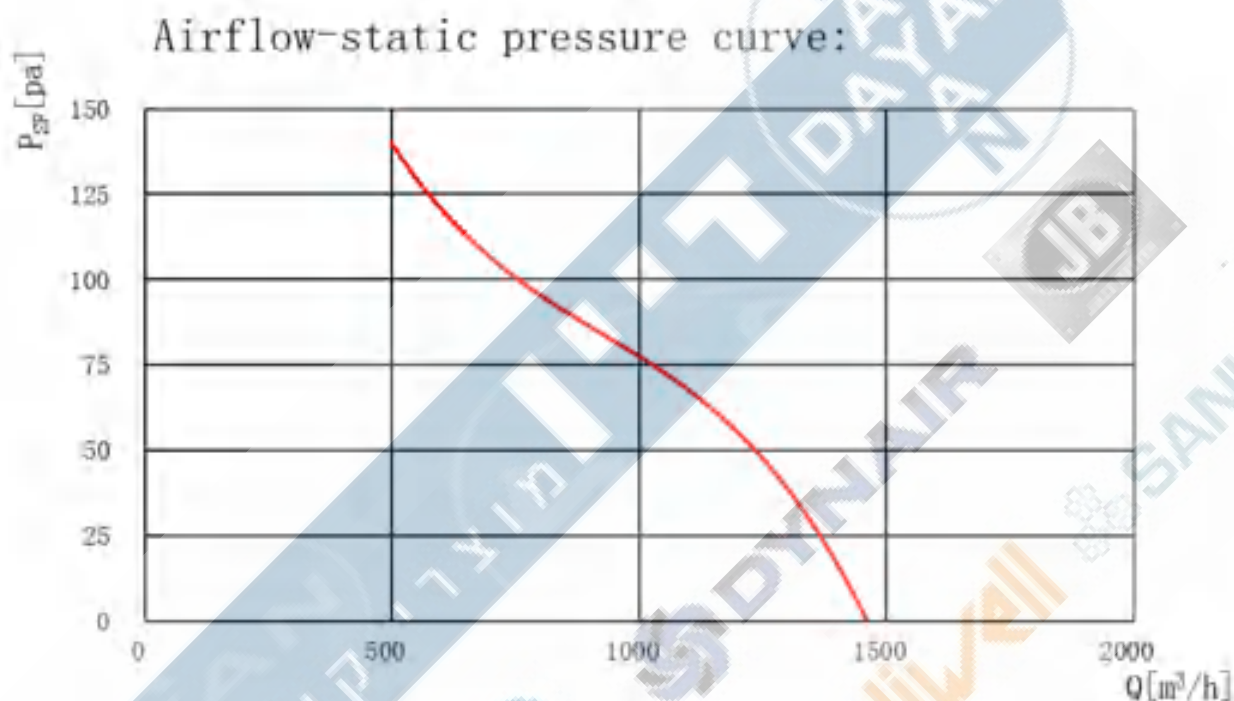
# Product wiring diagram







## Product Performance



St. P.	Air Flow	Speed	Voltage	Freq.	Current	Power
Pa	m <sup>3</sup> /h	RPM	V	Hz	Amp	W
1	1465	2582	235	50	0.52	120
36	1302	2532	234	50	0.54	125
53	1201	2510	233	50	0.55	127
67	1099	2483	234	50	0.56	131
80	1000	2450	233	50	0.57	131
90	900	2440	234	50	0.58	135
98	799	2430	233	50	0.58	134
100	700	2441	233	50	0.57	133
118	600	2411	232	50	0.59	136
143	499	2333	232	50	0.62	143