



Specifications

מקט: 7801

AC Axial Fan

Model : YWF4E-200

Type : S-E5Z

Coding : E04010092

Version: V1.0

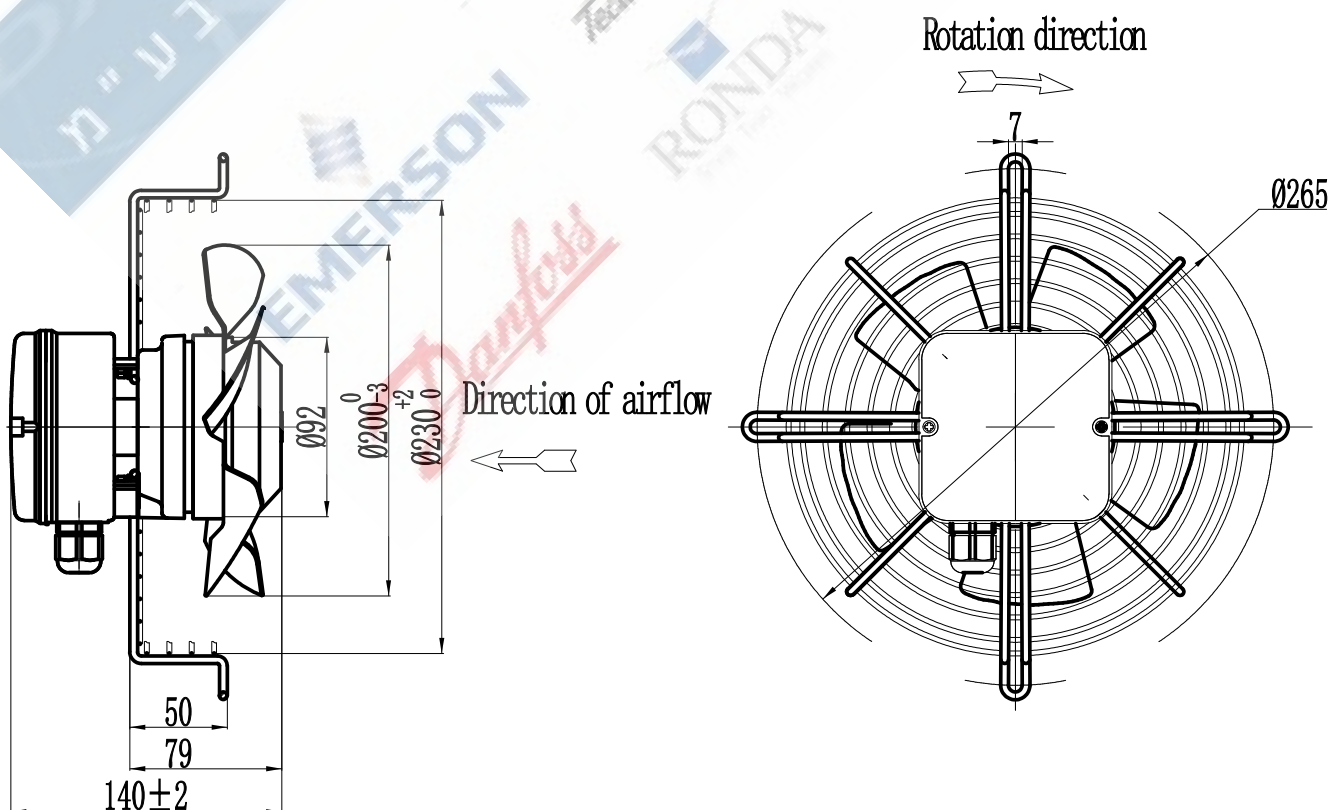
Date : 2022.03.02

Version	Status	Version update instructions	Date	DRN BY	CHK BY
V1.0	Effective	Initial release	2022-03-02	JX. Chen	XQ. Chen

Standards

- GB12350 《Safety Requirements of small Power motors》
- EN60335-1 《Safety Requirements of Household of Similar Electrical Appliances》
- The level of balance is in accordance with ISO 1940, G4.0
- Vibration testing and velocity is performed according to JB/T8689.
- This product is certified by China CCC and EU CE
- ISO 9001 quality system certification
- Standard of noise test: ISO 13347 《Determination of fan sound power levels under standardized laboratory conditions》
- The fan performance data is accurate and reliable, conforming to GB/T1236-2017 and 《Industrial fans-performance testing using standardize dairways》 in ISO5801-2007 standards.

Product Drawings



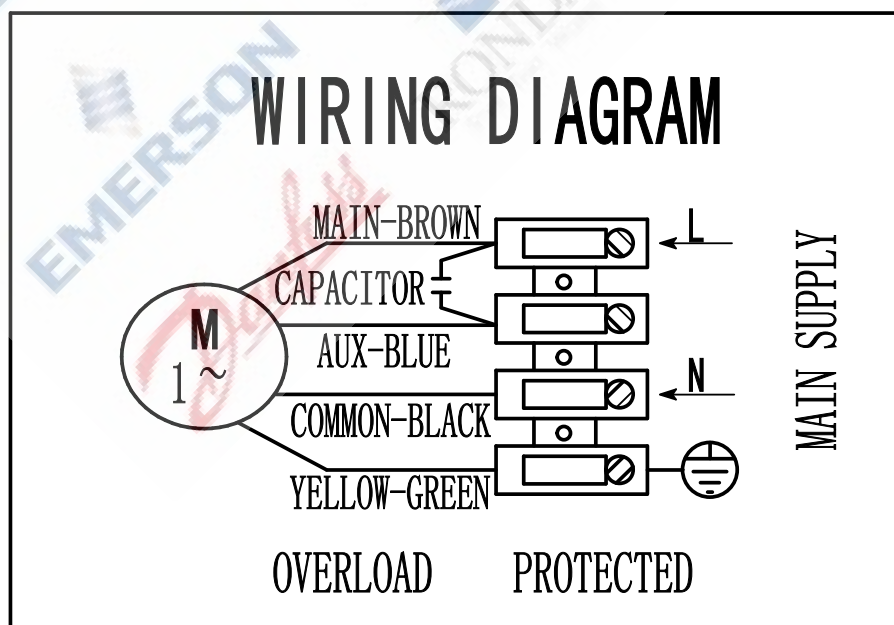
Technical Parameters

Power supply	Phase	1
Frequency	HZ	50
Wiring	-	-
Capacitance	μF	2.5
Input Voltage	V	220
Input Current	A	0.11
Input Power	W	22
Rated Speed	r/min	1400
Fan Noise	dB(A)	50
Fan Steering		Counterclockwise(From the motor)
Fan Life	h	40000
Fan Weight	kg	2.0
Protection Level		IP54
Insulation Class		F
Balance Level		G4.0
Ambient Temperature	$^{\circ}C$	-40~+60
Environment Humidity		$\leq 90\%RH$
Impeller Material		Metal
Spray Color		-
Operating Status		S1

Label

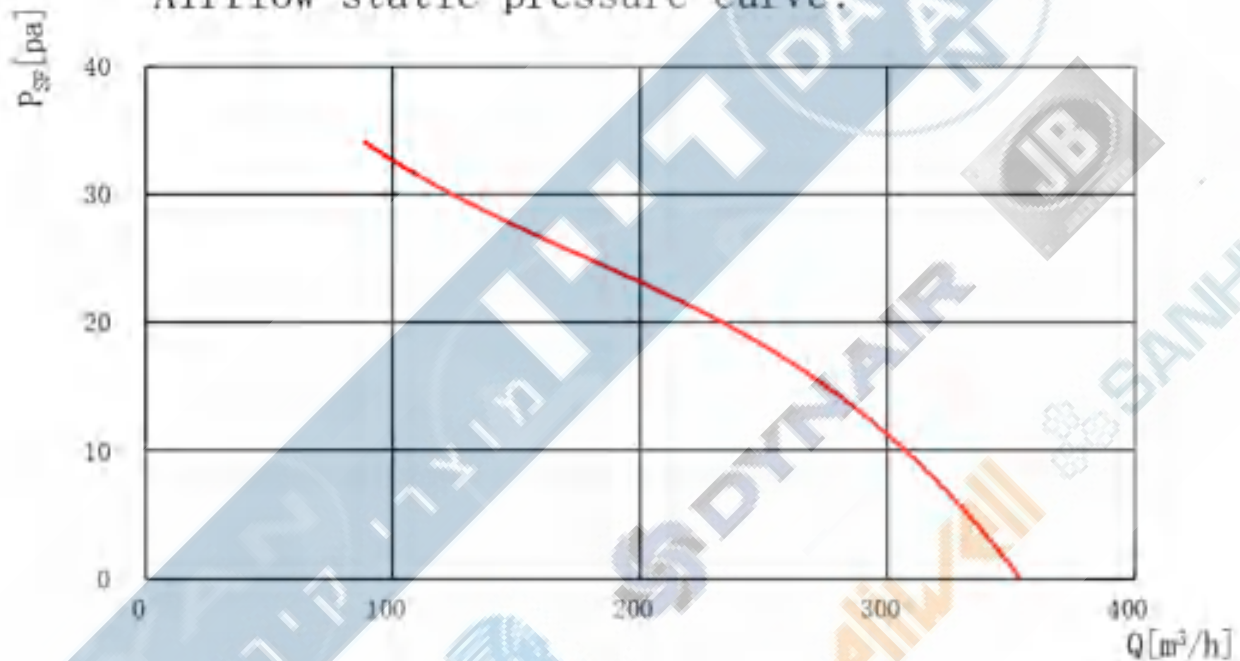
External Rotor Axial Fan					CE
YWF4E-200	S-E5Z	E04010092			EAC
220V	50Hz	0.11A	22W	2.5 μ F/450V	
1400r/min	385m ³ /h	30Pa	CL.F	Date:2022.XX	

Product wiring diagram



Product Performance

Airflow-static pressure curve:



St. P.	Air Flow	Speed	Voltage	Freq.	Current	Power
Pa	m ³ /h	RPM	V	Hz	Amp	W
0	360	1447	232	50	0.11	23
4	330	1441	232	50	0.12	23
8	300	1443	231	50	0.11	23
13	270	1441	233	50	0.12	23
26	240	1440	233	50	0.12	24
24	211	1442	230	50	0.11	23
24	181	1445	233	50	0.12	23
27	151	1442	232	50	0.12	23
27	120	1442	233	50	0.12	23
37	89	1435	234	50	0.12	24