



Specifications

מקט : 7802

AC Axial Fan

Model : YWF4E-250

Type : S-E5Z

Coding : E04020100

Version: V1.0

Date : 2022.03.03

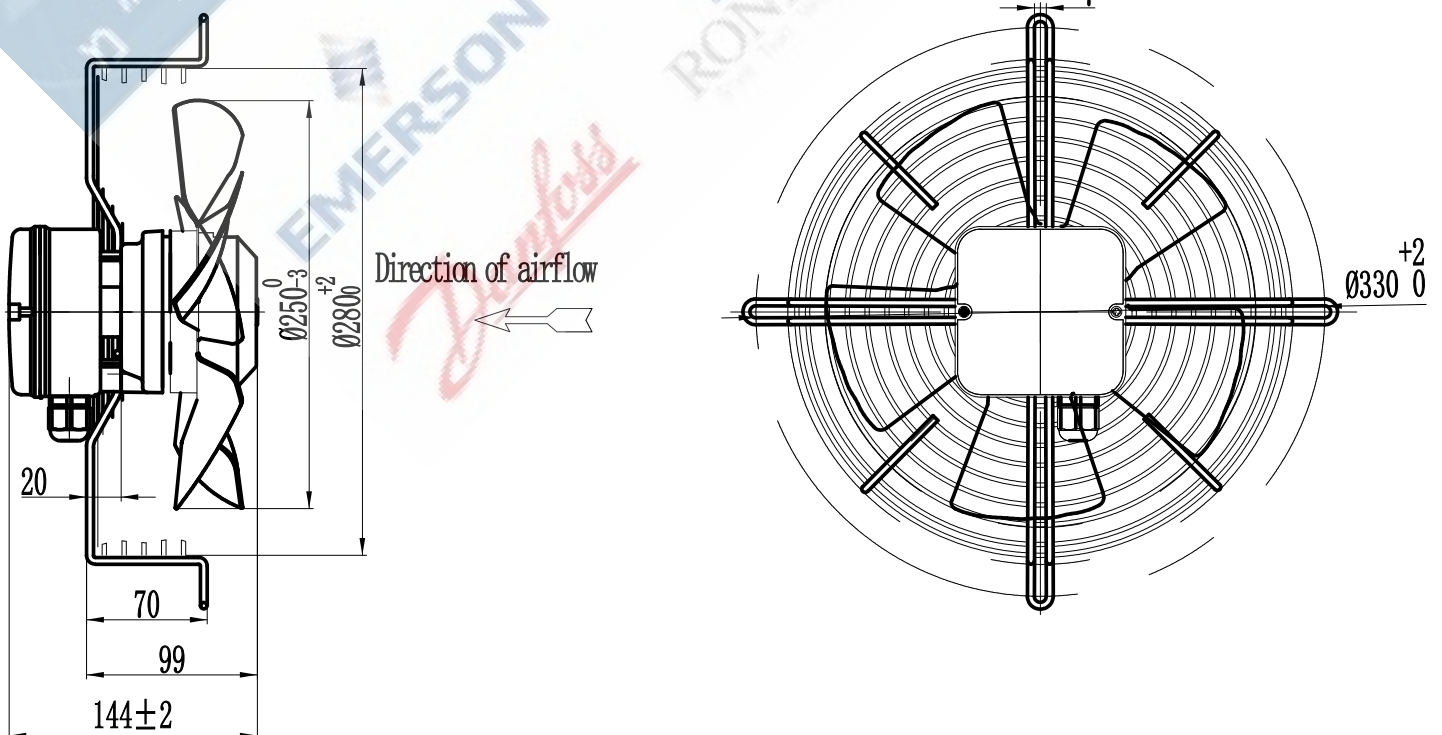
Version	Status	Version update instructions	Date	DRN BY	CHK BY
V1.0	Effective	Initial release	2022-03-03	JX. Chen	XQ. Chen



Standards

- GB12350 《Safety Requirements of small Power motors》
- EN60335-1 《Safety Requirements of Household of Similar Electrical Appliances》
- The level of balance is in accordance with ISO 1940, G4.0
- Vibration testing and velocity is performed according to JB/T8689.
- This product is certified by China CCC and EU CE
- ISO 9001 quality system certification
- Standard of noise test: ISO 13347 《Determination of fan sound power levels under standardized laboratory conditions》
- The fan performance data is accurate and reliable, conforming to GB/T1236-2017 and 《Industrial fans-performance testing using standardize dairways》 in ISO5801-2007 standards.

Product Drawings





Technical Parameters

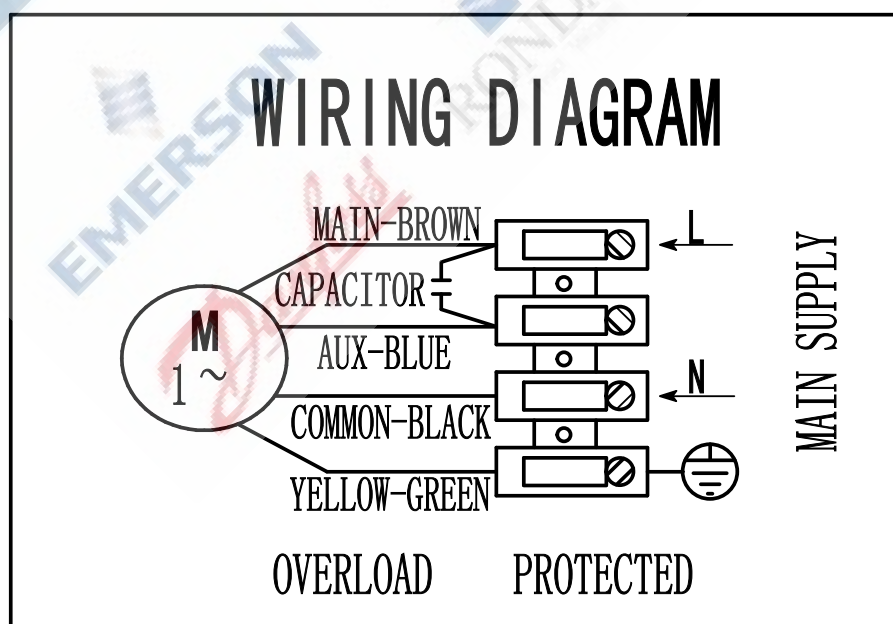
Power supply	Phase	1
Frequency	HZ	50
Wiring	-	-
Capacitance	μ F	1.5
Input Voltage	V	220
Input Current	A	0.23
Input Power	W	50
Rated Speed	r/min	1430
Fan Noise	dB(A)	55
Fan Steering		Counterclockwise(From the motor)
Fan Life	h	40000
Fan Weight	kg	-
Protection Level		IP54
Insulation Class		F
Balance Level		G4.0
Ambient Temperature	$^{\circ}$ C	-40~+60
Environment Humidity		\leq 90%RH
Impeller Material		Metal
Spray Color		-
Operating Status		S1



Label

External Rotor Axial Fan					CE
YWF4E-250	S-E5Z	E04020100			EAC
220V	50Hz	0.23A	50W	1.5 μ F/450V	
1430r/min	700m ³ /h	60Pa	CL. F	Date:2022.XX	

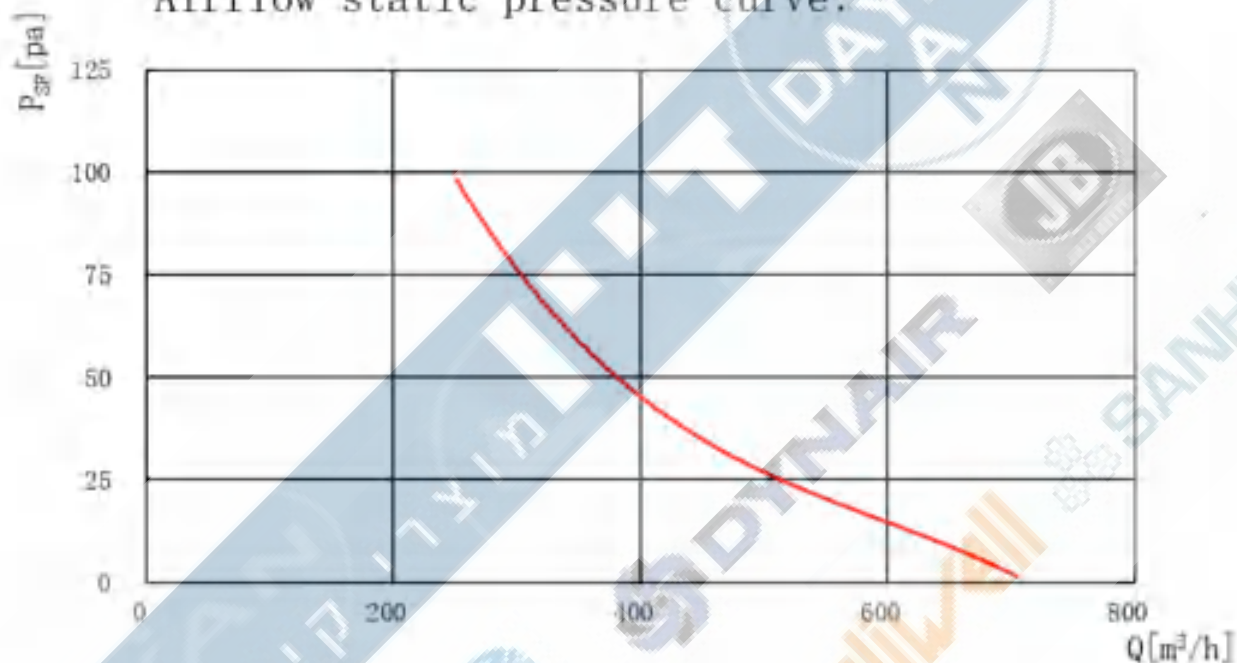
Product wiring diagram





Product Performance

Airflow-static pressure curve:



St. P.	Air Flow	Speed	Voltage	Freq.	Current	Power
Pa	m ³ /h	RPM	V	Hz	Amp	W
0	705	1446	230	50	0.24	45
10	651	1444	231	50	0.24	45
17	600	1443	231	50	0.24	47
20	549	1442	231	50	0.24	47
26	499	1440	231	50	0.24	47
34	450	1435	232	50	0.24	48
38	401	1433	232	50	0.24	49
67	350	1428	231	50	0.24	49
77	299	1411	231	50	0.25	50
96	251	1395	232	50	0.25	52