



Specifications

מקט דיין: 78188

AC Axial Fan

Model : YWF6E-400

Type : S-E5L

Coding : E04110380

Version: V1.0

Date : 2021.11.11

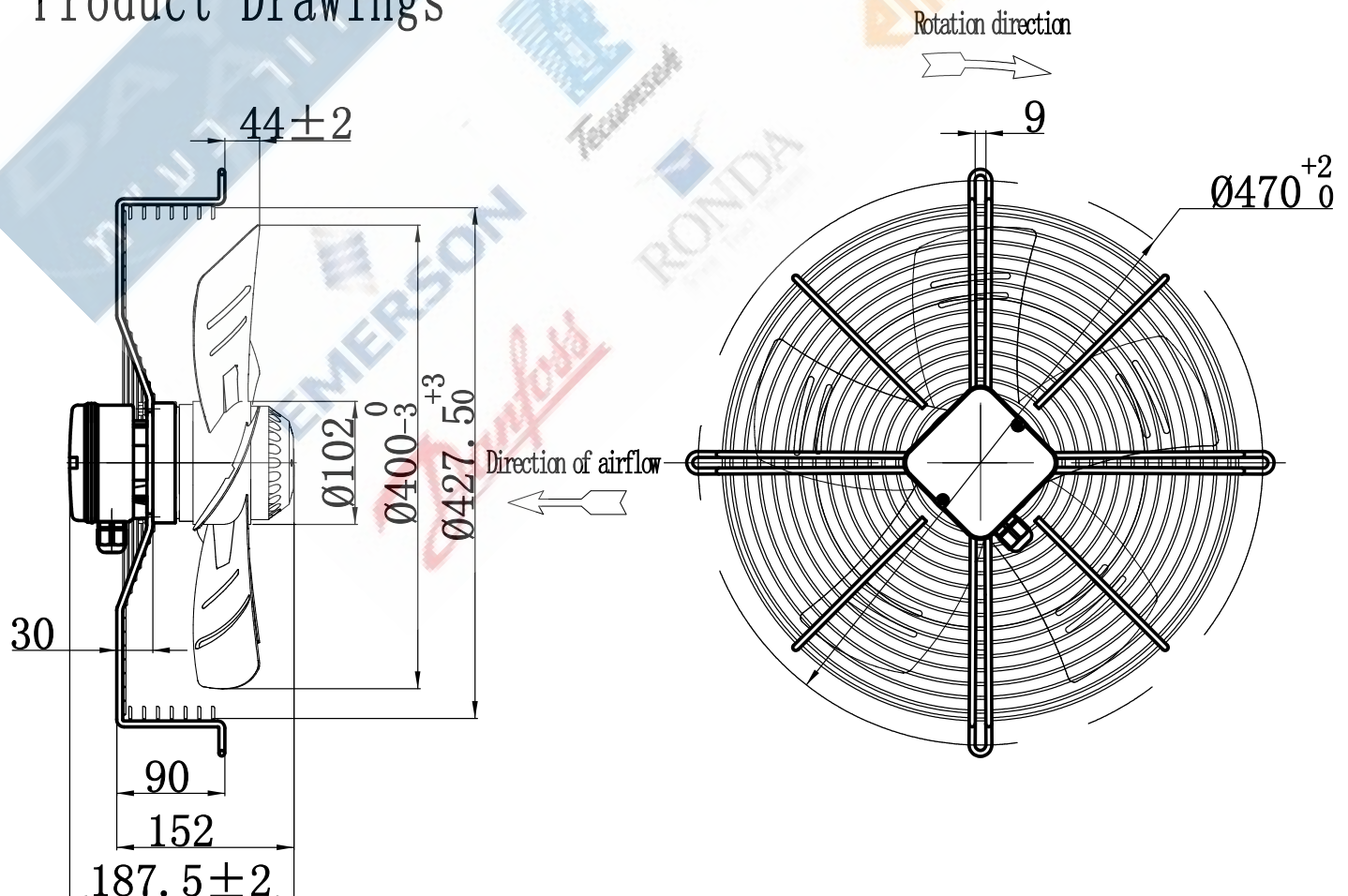
Version	Status	Version update instructions	Date	DRN BY	CHK BY
V1.0	Effective	Initial release	2021-11-11	JX. Chen	XQ. Chen



Standards

- GB12350 《Safety Requirements of small Power motors》
- EN60335-1 《Safety Requirements of Household of Similar Electrical Appliances》
- The level of balance is in accordance with ISO 1940, G4.0
- Vibration testing and velocity is performed according to JB/T8689.
- This product is certified by China CCC and EU CE
- ISO 9001 quality system certification
- Standard of noise test: ISO 13347 《Determination of fan sound power levels under standardized laboratory conditions》
- The fan performance data is accurate and reliable, conforming to GB/T1236-2017 and 《Industrial fans-performance testing using standardize dairways》 in ISO5801-2007 standards.

Product Drawings





Technical Parameters

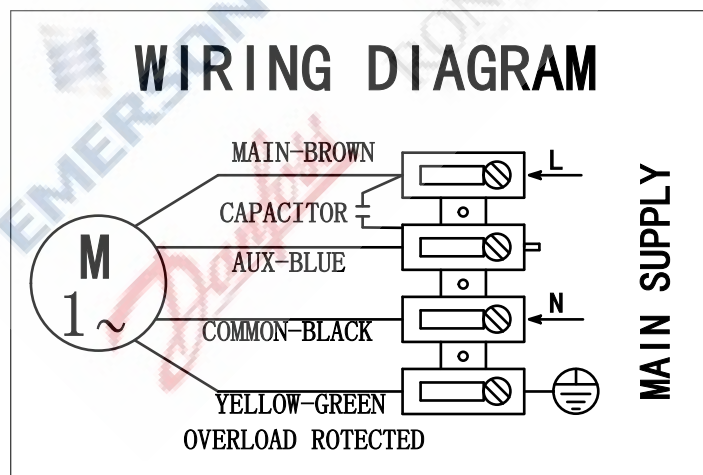
Power supply	Phase	1
Frequency	HZ	50
Wiring		-
Capacitance	μF	4
Input Voltage	V	230
Input Current	A	0.76
Input Power	W	130
Rated Speed	r/min	935
Fan Noise	dB(A)	58
Fan Steering		Counterclockwise(From the motor)
Fan Life	h	40000
Fan Weight	kg	5.2
Protection Level		IP54
Insulation Class		F
Balance Level		G4.0
Ambient Temperature	$^{\circ}C$	-40~+60
Environment Humidity		$\leq 90\%RH$
Impeller Material		Metal
Spray Color		-
Operating Status		S1



Label and Product wiring diagram

External Rotor Axial Fan					CE
YWF6E-400	S-E5L	E04110380			EAC
230V	50Hz	0.76A	130W	4 μ F/450V	
935r/min	2850m ³ /h	55Pa	CL. F	Date:2021. XX	

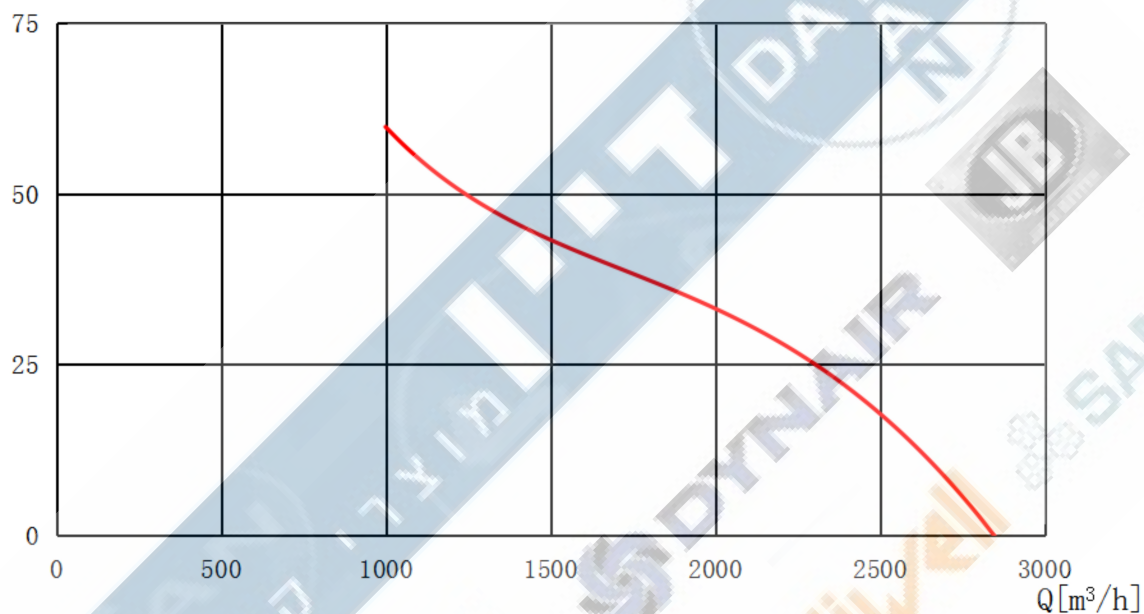
Product wiring diagram





Product Performance

Airflow-static pressure curve:



St. P.	Air Flow	Speed	Voltage	Freq.	Current	Power
Pa	m3/h	RPM	V	Hz	Amp	W
0	2850	946	232	50	0.84	152
12	2600	941	232	50	0.84	154
22	2401	933	231	50	0.83	154
31	2203	932	232	50	0.83	158
30	2002	930	232	50	0.83	159
37	1803	929	232	50	0.83	160
42	1604	924	231	50	0.83	164
46	1403	923	231	50	0.83	160
50	1202	920	231	50	0.83	161
60	999	915	233	50	0.84	166