



Specifications

מקט: 7820

AC Axial Fan

Model : YWF4D-400

Type : S-E5L

Coding : E04110177

Version: V1.0

Date : 2021.10.19

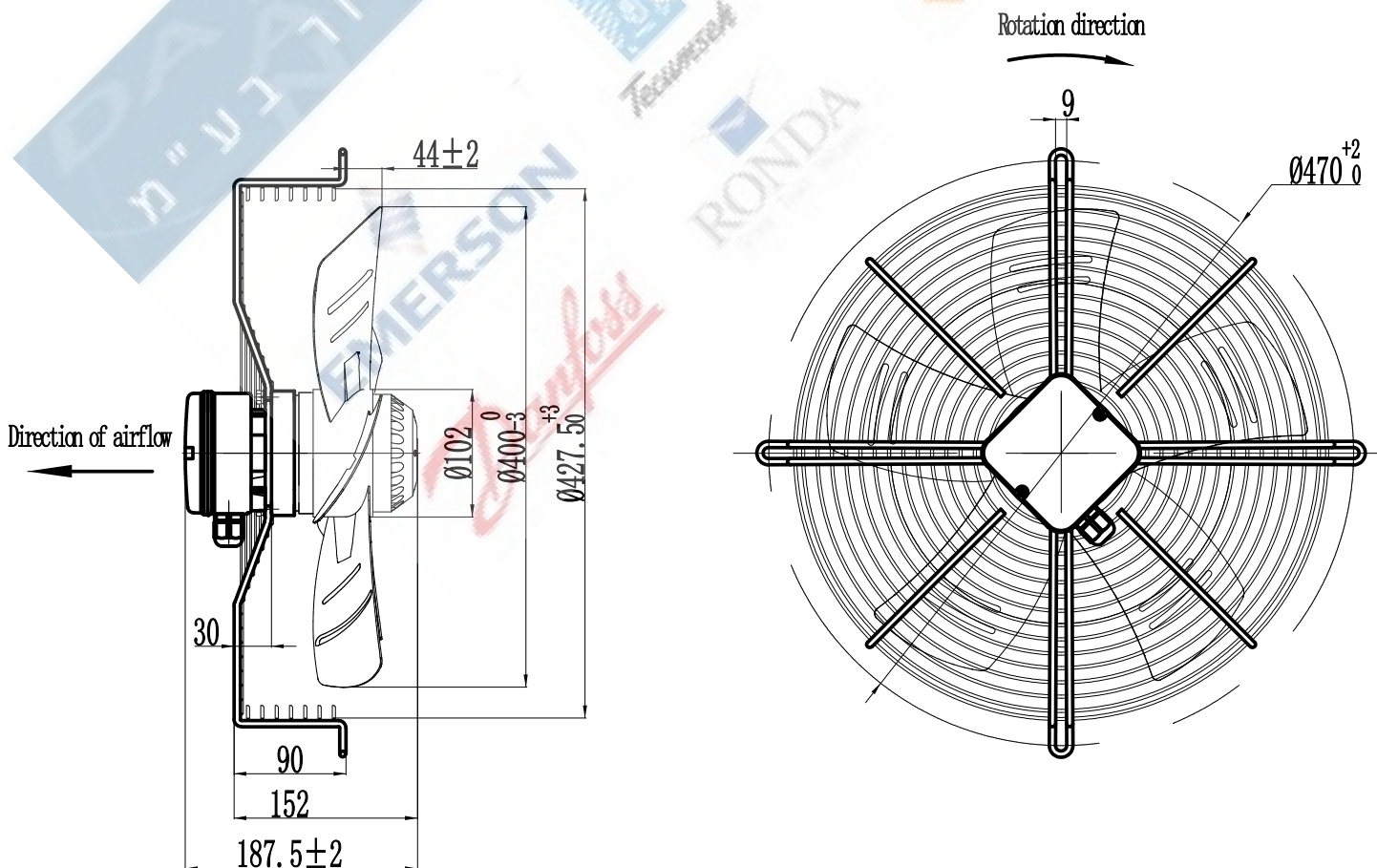
Version	Status	Version update instructions	Date	DRN BY	CHK BY
V1.0	Effective	Initial release	2021-10-19	JX. Chen	XQ. Chen



Standards

- GB12350 《Safety Requirements of small Power motors》
- EN60335-1 《Safety Requirements of Household of Similar Electrical Appliances》
- The level of balance is in accordance with ISO 1940, G4.0
- Vibration testing and velocity is performed according to JB/T8689.
- This product is certified by China CCC and EU CE
- ISO 9001 quality system certification
- Standard of noise test: ISO 13347 《Determination of fan sound power levels under standardized laboratory conditions》
- The fan performance data is accurate and reliable, conforming to GB/T1236-2017 and 《Industrial fans—performance testing using standardized airways》 in ISO5801-2007 standards.

Product Drawings





Technical Parameters

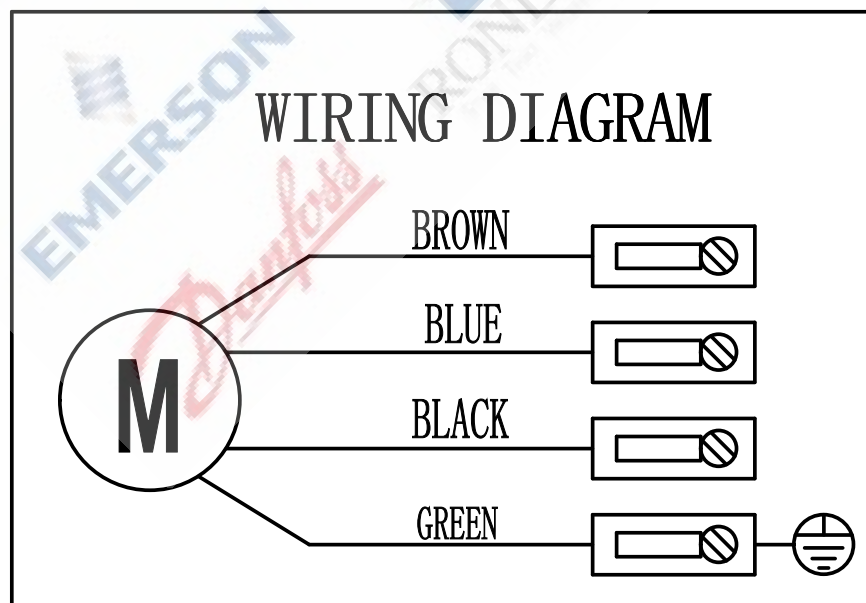
Power supply	Phase	3
Frequency	HZ	50
Wiring		Y
Capacitance	μF	-
Input Voltage	V	380
Input Current	A	0.52
Input Power	W	230
Rated Speed	r/min	1350
Fan Noise	dB(A)	68
Fan Steering		Counterclockwise (From the motor)
Fan Life	h	40000
Fan Weight	kg	5.2
Protection Level		IP54
Insulation Class		F
Balance Level		G4.0
Ambient Temperature	$^{\circ}C$	-40~+60
Environment Humidity		$\leq 90\%RH$
Impeller Material		Metal
Spray Color		-
Operating Status		S1



Label

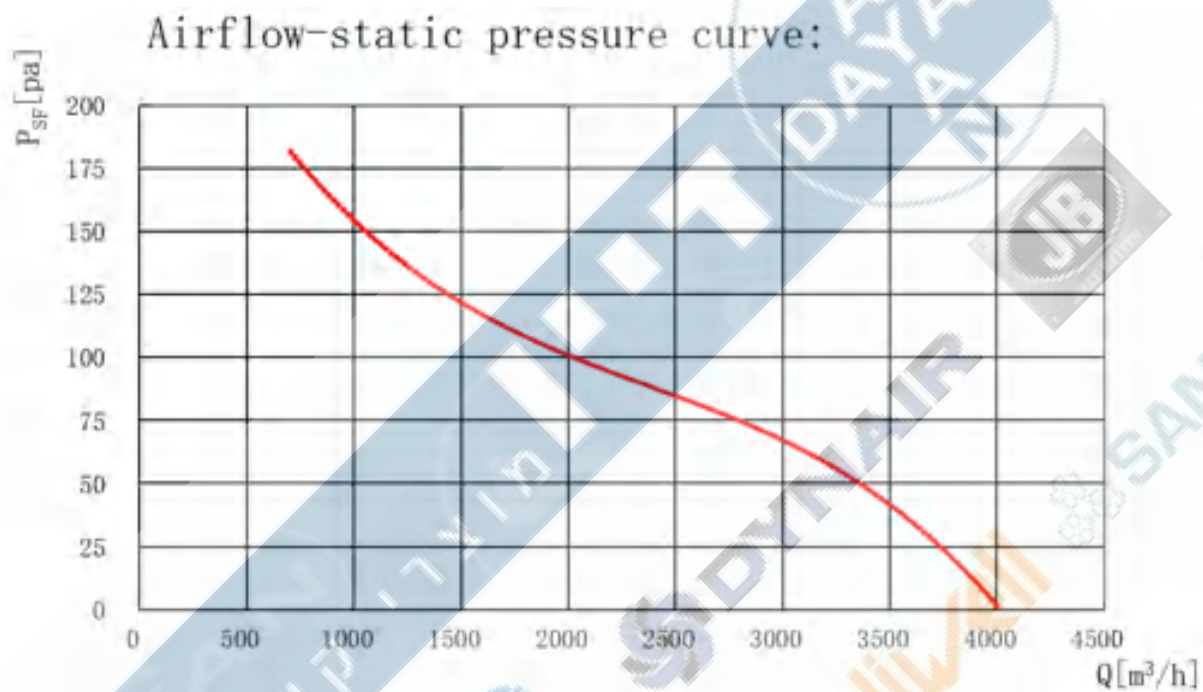
External Rotor Axial Fan					CE
YWF4D-400	S-E5L	E04110177			EAC
380V	3PH	50Hz	0.52A	230W	
1350r/min	4015m ³ /h	100Pa	CL.F	Date:2021.XX	

Product wiring diagram





Product Performance



St. P.	Air Flow	Speed	Voltage	Freq.	Current	Power
Pa	m ³ /h	RPM	V	Hz	Amp	W
0	4007	1427	399	50	0.53	180
43	3499	1412	402	50	0.54	208
63	3103	1407	402	50	0.54	214
81	2699	1403	399	50	0.54	216
87	2305	1405	399	50	0.54	214
101	1900	1399	400	50	0.54	221
125	1500	1383	400	50	0.55	246
149	1102	1372	400	50	0.56	260
180	700	1353	400	50	0.58	285