



Specifications

7822 :טקמ

AC Axial Fan

Model : YWF4E-400

Type : B-E5L

Coding : E04110422

Version: V1.0

Date : 2021.11.02

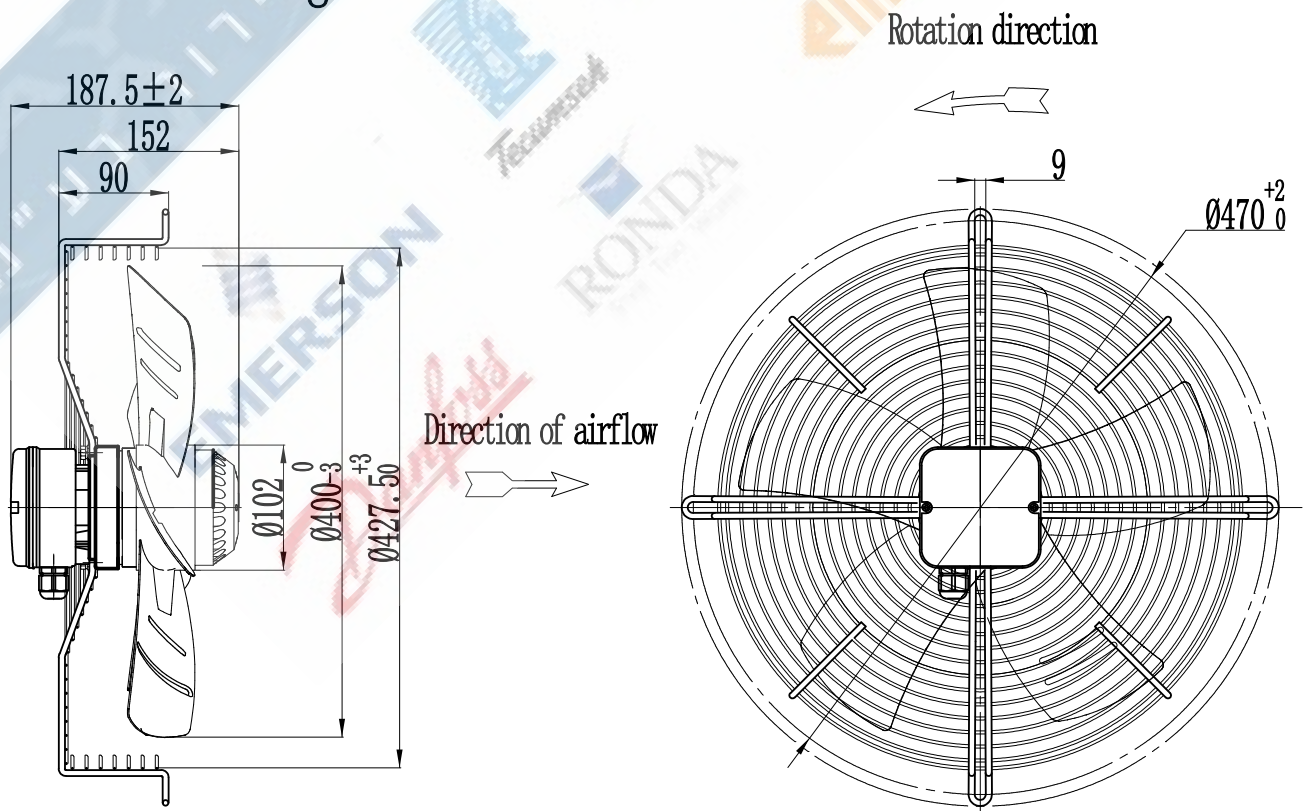
Version	Status	Version update instructions	Date	DRN BY	CHK BY
V1.0	Effective	Initial release	2021-11-02	JX. Chen	XQ. Chen



Standards

- GB12350 《Safety Requirements of small Power motors》
- EN60335-1 《Safety Requirements of Household of Similar Electrical Appliances》
- The level of balance is in accordance with ISO 1940, G4.0
- Vibration testing and velocity is performed according to JB/T8689.
- This product is certified by China CCC and EU CE
- ISO 9001 quality system certification
- Standard of noise test: ISO 13347 《Determination of fan sound power levels under standardized laboratory conditions》
- The fan performance data is accurate and reliable, conforming to GB/T1236-2017 and 《Industrial fans-performance testing using standardize dairways》 in ISO5801-2007 standards.

Product Drawings





Technical Parameters

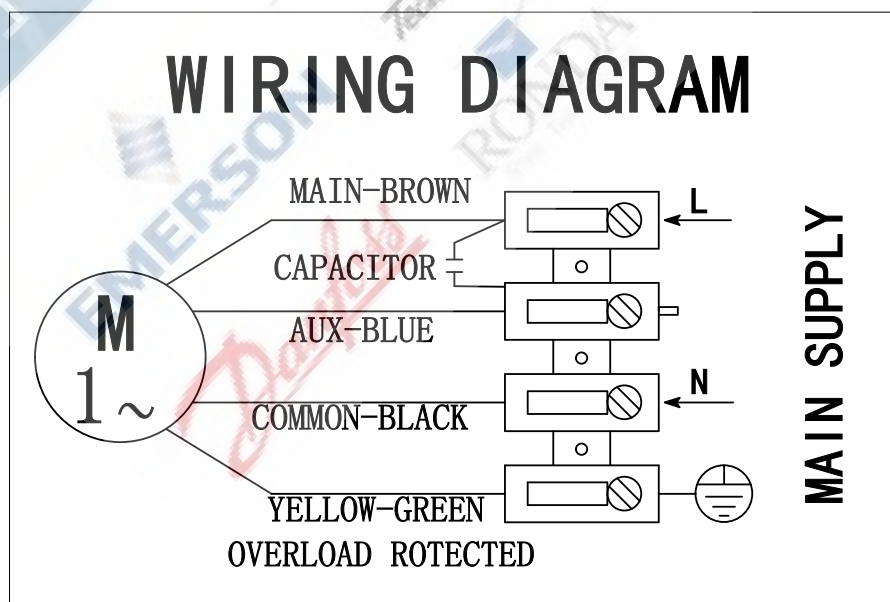
Power supply	Phase	1
Frequency	HZ	50
Wiring		-
Capacitance	μF	6
Input Voltage	V	230
Input Current	A	1.0
Input Power	W	240
Rated Speed	r/min	1370
Fan Noise	dB(A)	68
Fan Steering		Clockwise(From the motor)
Fan Life	h	40000
Fan Weight	kg	5.2
Protection Level		IP54
Insulation Class		F
Balance Level		G4.0
Ambient Temperature	$^{\circ}C$	-40~+60
Environment Humidity		$\leq 90\%RH$
Impeller Material		Metal
Spray Color		-
Operating Status		S1



Label

External Rotor Axial Fan					CE
YWF4E-400	B-E5L	E04110422			EAC
230V	50Hz	1.0A	240W	6 μ F/450V	
1370r/min	3806m ³ /h	100Pa	CL.F	Date:2021.XX	

Product wiring diagram





Product Performance

Airflow-static pressure curve:



St. P.	Air Flow	Speed	Voltage	Freq.	Current	Power
Pa	m ³ /h	RPM	V	Hz	Amp	W
0	3806	1420	232	50	0.88	192
29	3501	1407	232	50	0.93	206
43	3251	1396	231	50	0.97	217
59	3001	1386	231	50	1.01	227
72	2751	1377	231	50	1.04	234
81	2501	1371	231	50	1.06	238
81	2251	1363	231	50	1.10	249
85	2000	1360	231	50	1.08	245
91	1752	1366	230	50	1.07	241
102	1502	1355	232	50	1.10	249