

Specifications

EC Centrifugal Fan

Model : HJ6EC400

Type : 188/55-3P224

Coding :

Version: V1.0

Date : 2023.04.01

Version	Status	Version update instructions	Date	DRN BY	CHK BY
V1.0	Effective	Initial release	2023-04-01	XQ. Chen	L. Hua

Introduction

Emphasizing on energy saving, environmental protection, and high efficiency, our company absorbed advanced technology in home and abroad to research and develop a new generation of EC series Fan motors that was based on our years-long experience manufacturing traditional AC series Fan Motors. The new product has improved working efficiency greatly and is ideal for air-conditioning, purification, and refrigeration industries.


Standards

- JB-T10563 Technical specification for general purposes centrifugal fans
- GB/T 14711 General safety requirements for Medium and small rotary motor
- GB755/IEC60034-1 rotary motor quota and performance
- The level of balance is in accordance with ISO 1940, G4.0
- Vibration testing and velocity is performed according to JB/T8689.
- This product is certified by China CCC and EU CE
- ISO 9001 quality system certification

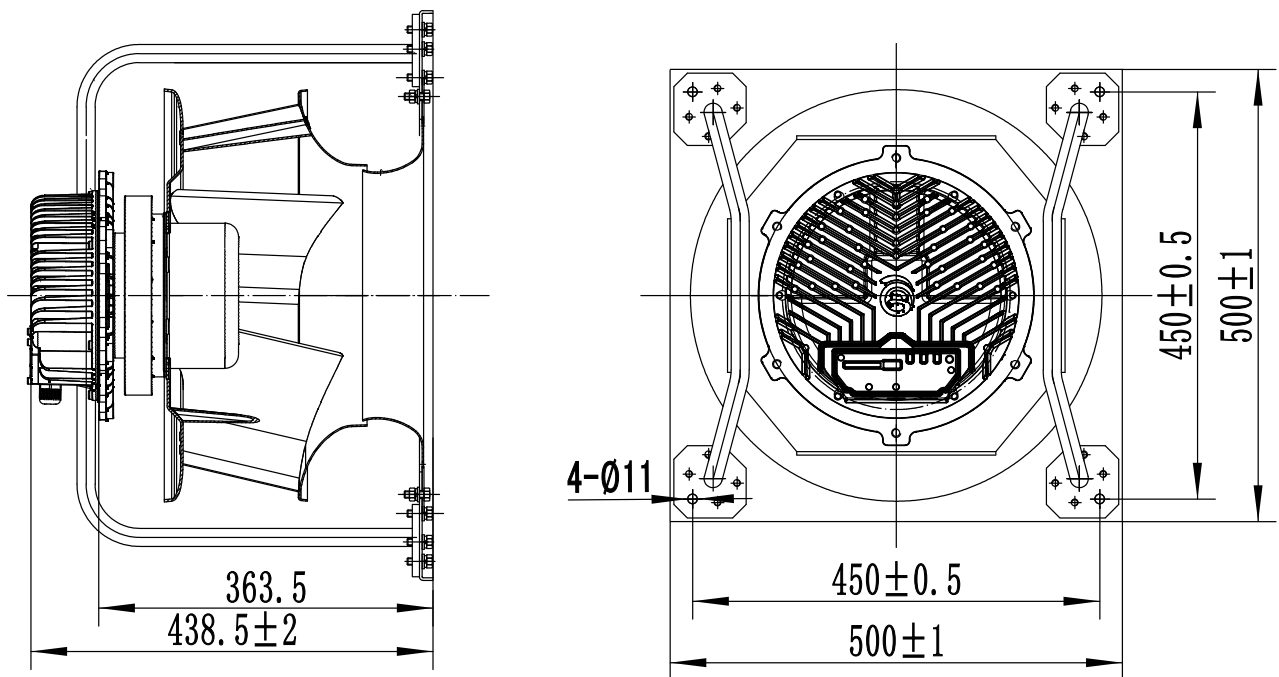
Technical Parameters

Power supply	Phase	3
Frequency	Hz	50/60
Input Voltage	VAC	380~480
Input Current	A	4.00
Input Power	W	3500
Rated Speed	r/min	2680
Fan Noise	dB(A)	93
Fan Steering		Clockwise(From the motor)
Fan Life	h	40000
Fan Weight	kg	-
Protection Level		IP54
Insulation Class		F
Balance Level		G4.0
Ambient Temperature	℃	-40~+60
Environment Humidity		≤90%RH
Impeller material		Metal
Spray color		-
Operating Status		S1

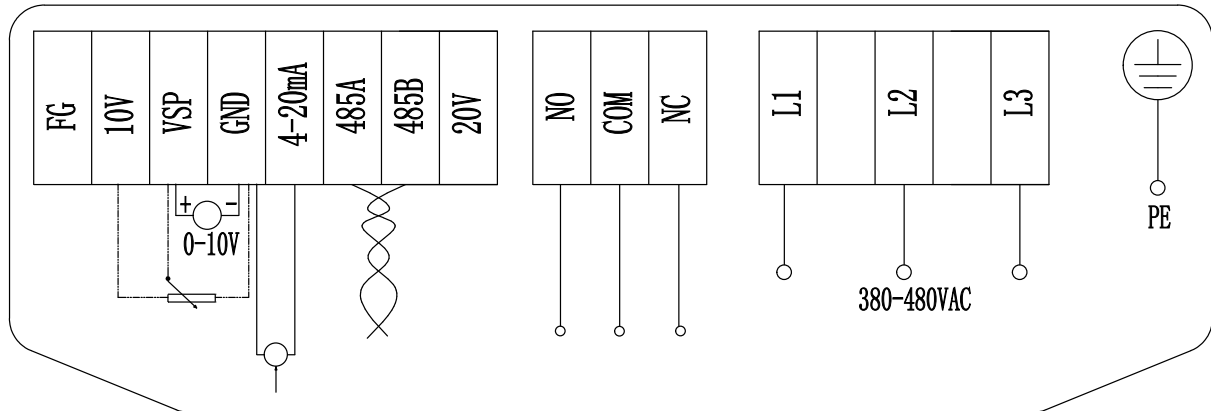
Label

VENTILATOR bayoung		MADE IN CHINA	
HJ6EC400	188/055-3P224	XXXXXXXXXX	
3~380-480VAC	50/60Hz	(4.00A 3500W)@400V	2680RPM
6501m ³ /h	IP54	93dB(A)	CL.F N=73.7
EAC		CE	
			
		L1	NC
		L2	COM
		L3	NO
		PE	RSA
		RSB	4-20mA
		VSP	+10V
		FG	+20V
			GND

Product Drawings



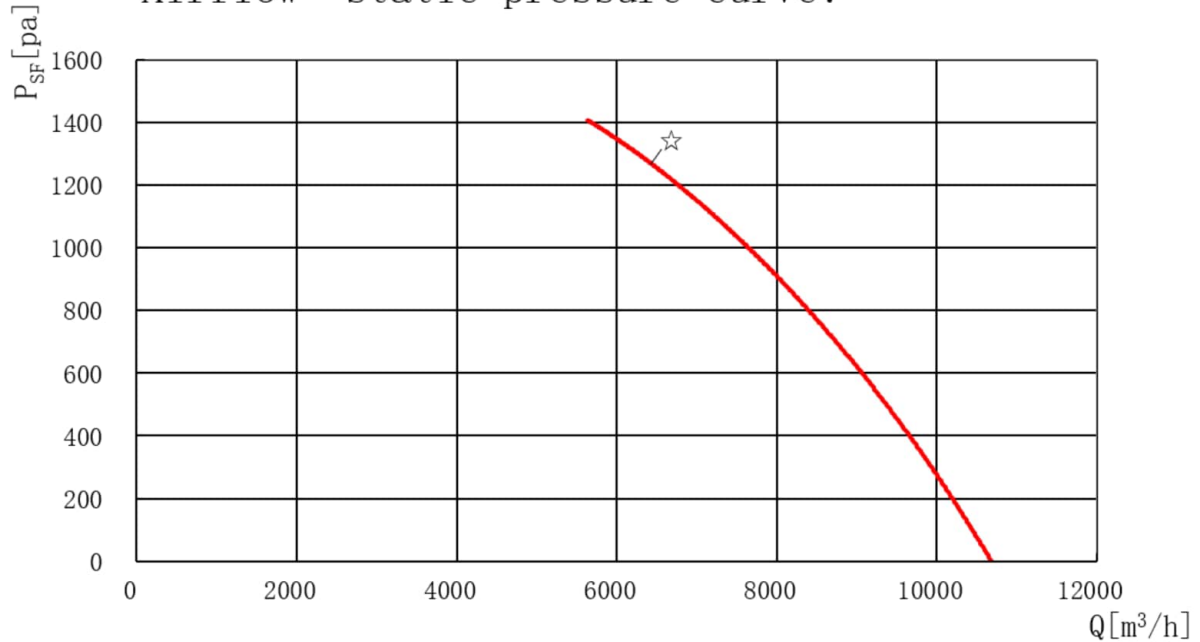
Terminal description



Port	description
L1	
L2	three phase AC input(power)
L3	
PE	Ground wire
FG	Speed feedback signal output
10V	External output 10V
VSP	Speed control signal 0-10V input, Input 10V with maximum speed
GND	Reference Ground
20V	External output 20VDC
4-20mA	External sensor (e. g. pressure sensor) with 4-20mA output
RSA	MODBUS RTU RS485
RSB	MODBUS RTU RS485
NO	Floating status message contact:close with error
COM	Floating status message contact:common connection contact rating 250VAC/2A
NC	Floating status message contact:break with error

Product Performance

Airflow—static pressure curve:



☆: $\eta=68.85\%$ $N=73.69$ (With VSD)

St. P.	Air Flow	Speed	Voltage	Freq.	Power
Pa	m3/h	RPM	V	Hz	W
0	10695	2680	400	50	2077
118	10373	2680	400	50	2281
234	10080	2680	400	50	2486
353	9849	2680	400	50	2668
469	9493	2680	400	50	2803
586	9056	2680	400	50	2957
703	8714	2680	400	50	3128
820	8321	2680	400	50	3257
937	7943	2680	400	50	3385
1054	7428	2680	400	50	3463
1171	6883	2680	400	50	3490
1288	6335	2680	400	50	3459
1407	5636	2680	400	50	3411