

Specifications

EC Centrifugal Fan

Model : HJ6EC450

Type : 188/85-3P250

Coding :

Version: V1.0

Date : 2023.03.11

Version	Status	Version update instructions	Date	DRN BY	CHK BY
V1.0	Effective	Initial release	2023-03-11	XQ. Chen	L. Hua

Introduction

Emphasizing on energy saving, environmental protection, and high efficiency, our company absorbed advanced technology in home and abroad to research and develop a new generation of EC series Fan motors that was based on our years-long experience manufacturing traditional AC series Fan Motors. The new product has improved working efficiency greatly and is ideal for air-conditioning, purification, and refrigeration industries.




Standards

- JB-T10563 Technical specification for general purposes centrifugal fans
- GB/T 14711 General safety requirements for Medium and small rotary motor
- GB755/IEC60034-1 rotary motor quota and performance
- The level of balance is in accordance with ISO 1940, G4.0
- Vibration testing and velocity is performed according to JB/T8689.
- This product is certified by China CCC and EU CE
- ISO 9001 quality system certification

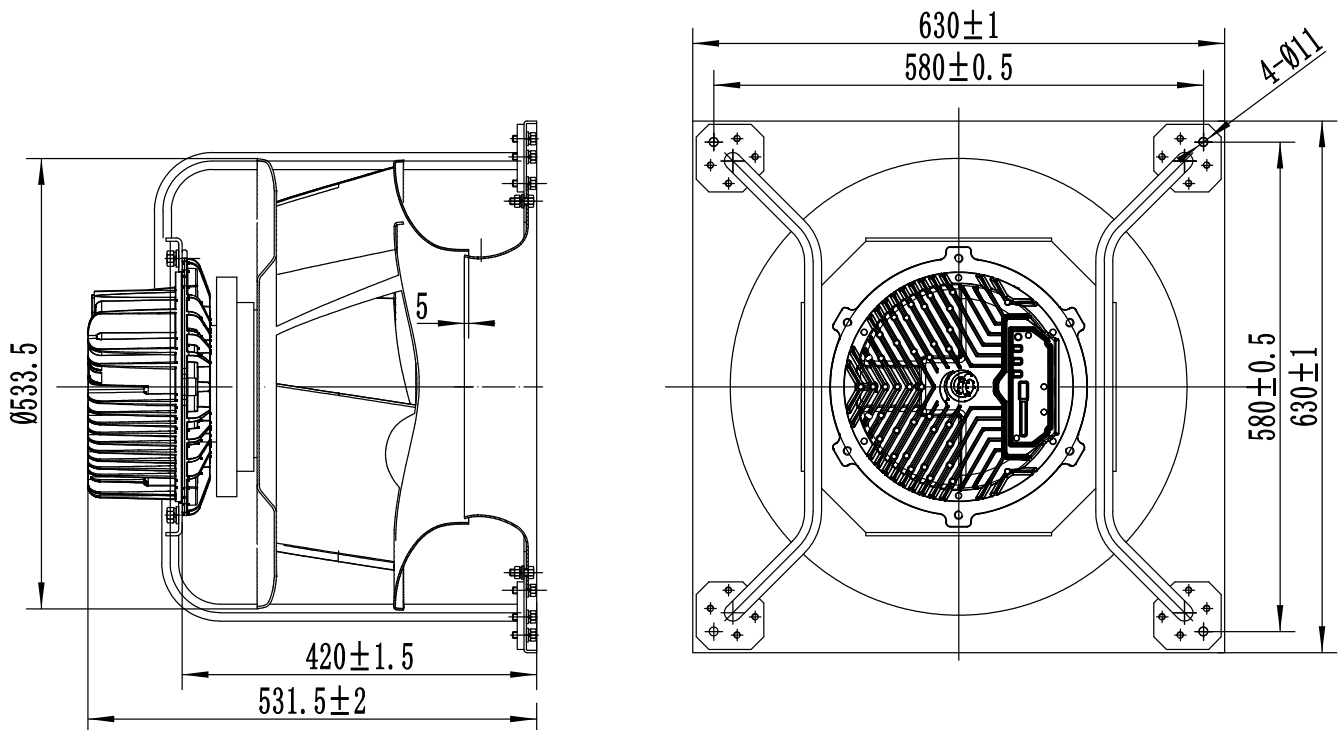
Technical Parameters

Power supply	Phase	3
Frequency	Hz	50/60
Input Voltage	VAC	380~480
Input Current	A	5.50
Input Power	W	3520
Rated Speed	r/min	2210
Fan Noise	dB(A)	97
Fan Steering		Clockwise(From the motor)
Fan Life	h	40000
Fan Weight	kg	-
Protection Level		IP54
Insulation Class		F
Balance Level		G4.0
Ambient Temperature	℃	-25~+60
Environment Humidity		≤90%RH
Impeller material		Metal
Spray color		-
Operating Status		S1

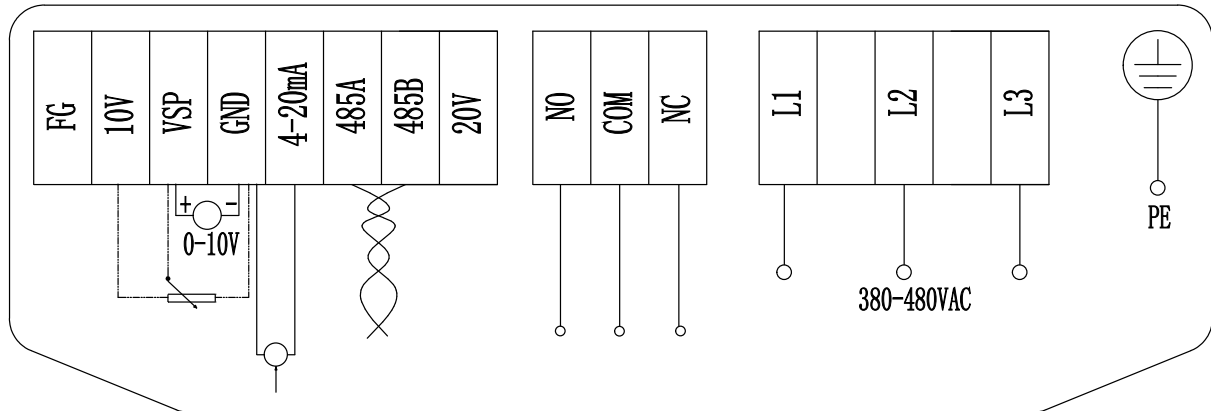
Label

VENTILATOR boyoung		MADE IN CHINA																	
HJ6EC450	188/85-3P250	XXXXXXXXXX																	
3~380-480VAC	50/60Hz	(5.50A 3520W)@400V	2210RPM																
12210m³/h	IP54	97dB(A)	CL.F																
  		<table border="0"> <tr> <td>L1</td> <td>NC</td> <td>RSB</td> <td>VSP</td> </tr> <tr> <td>L2</td> <td>COM</td> <td>4-20mA</td> <td>+10V</td> </tr> <tr> <td>L3</td> <td>NO</td> <td>+20V</td> <td>FG</td> </tr> <tr> <td>PE</td> <td>RSA</td> <td>GND</td> <td></td> </tr> </table>		L1	NC	RSB	VSP	L2	COM	4-20mA	+10V	L3	NO	+20V	FG	PE	RSA	GND	
L1	NC	RSB	VSP																
L2	COM	4-20mA	+10V																
L3	NO	+20V	FG																
PE	RSA	GND																	

Product Drawings



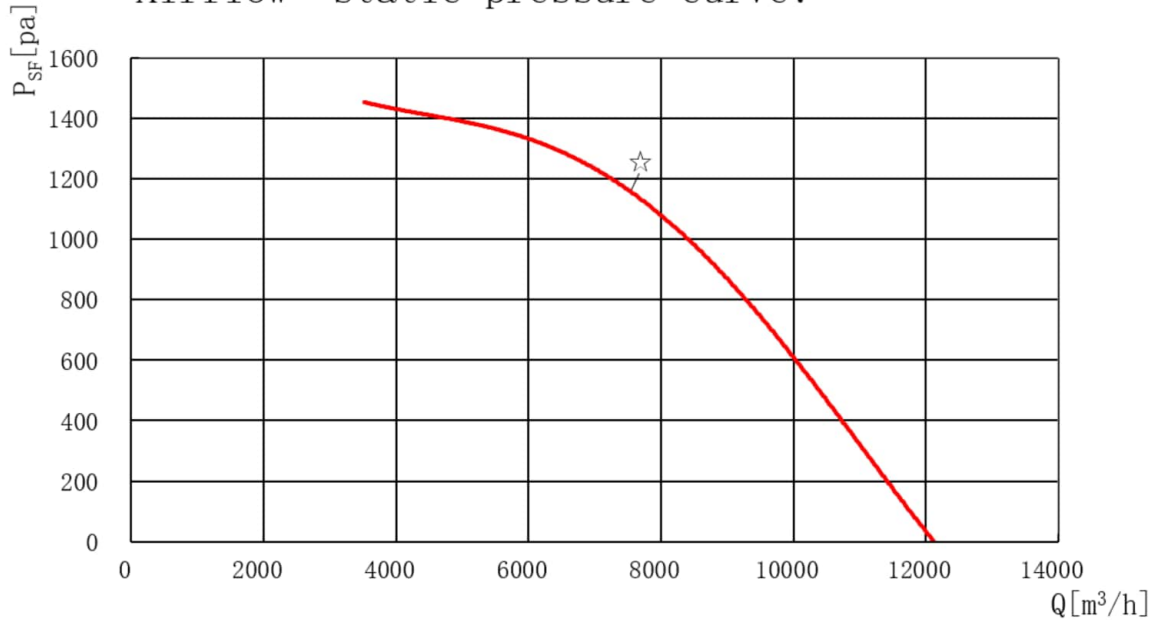
Terminal description



Port	description
L1	three phase AC input (power)
L2	
L3	
PE	Ground wire
FG	Speed feedback signal output
10V	External output 10V
VSP	Speed control signal 0-10V input, Input 10V with maximum speed
GND	Reference Ground
20V	External output 20VDC
4-20mA	External sensor (e.g. pressure sensor) with 4-20mA output
RSA	MODBUS RTU RS485
RSB	MODBUS RTU RS485
NO	Floating status message contact: close with error
COM	Floating status message contact: common connection contact rating 250VAC/2A
NC	Floating status message contact: break with error

Product Performance

Airflow—static pressure curve:



☆: $\eta = 67.04\%$ $N = 75.17$ (With VSD)

St. P.	Air Flow	Speed	Voltage	Freq.	Power
Pa	m ³ /h	RPM	V	Hz	W
0	12214	2210	400	50	2109
97	11748	2210	400	50	2292
195	11329	2210	400	50	2434
292	10917	2210	400	50	2563
389	10801	2210	400	50	2725
486	10501	2210	400	50	2893
584	10202	2210	400	50	3040
681	9855	2210	400	50	3195
777	9429	2210	400	50	3331
875	8989	2210	400	50	3424
973	8411	2210	400	50	3481
1167	7279	2210	400	50	3520
1361	5927	2210	400	50	3377
1450	3517	2210	400	50	2496