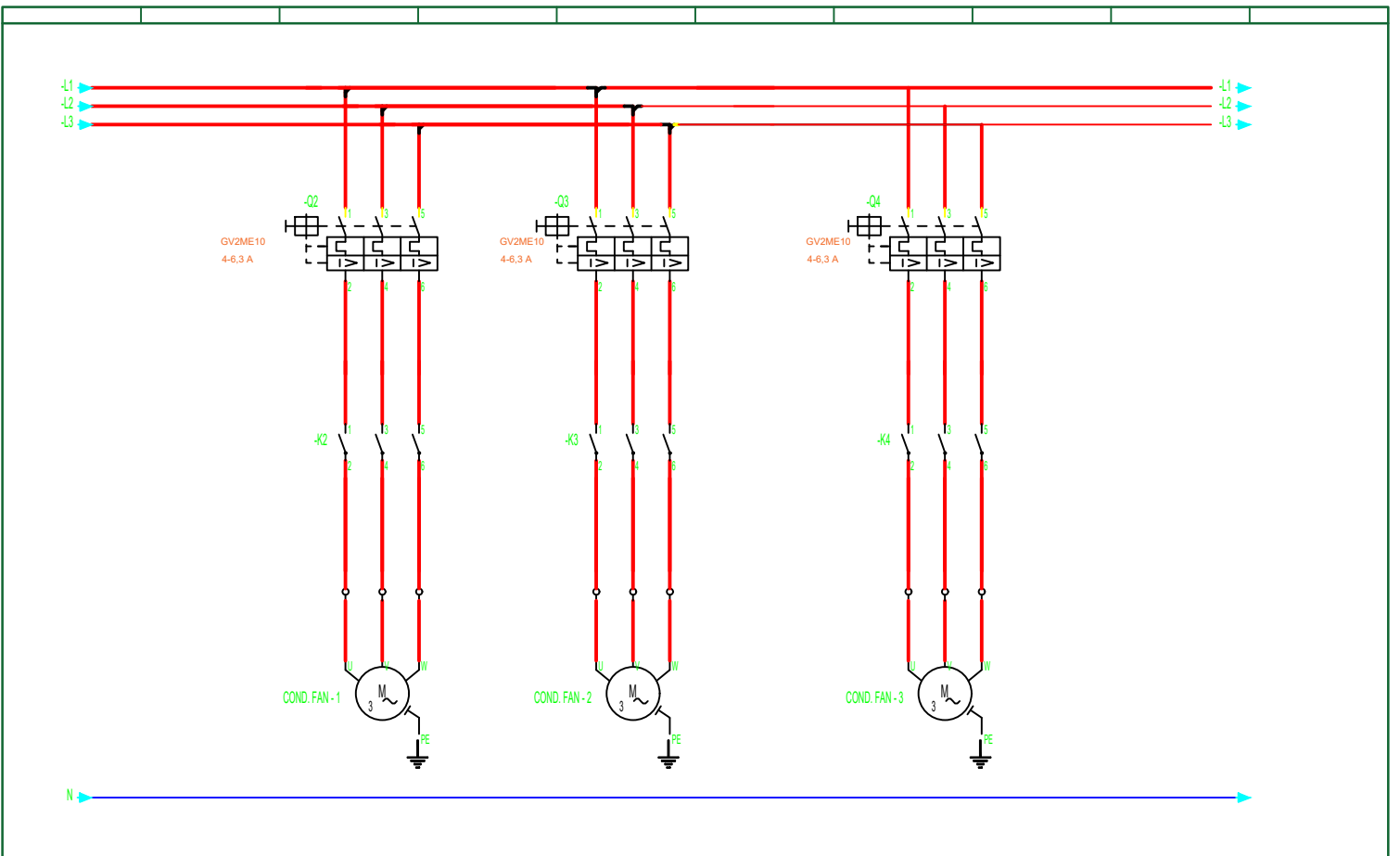
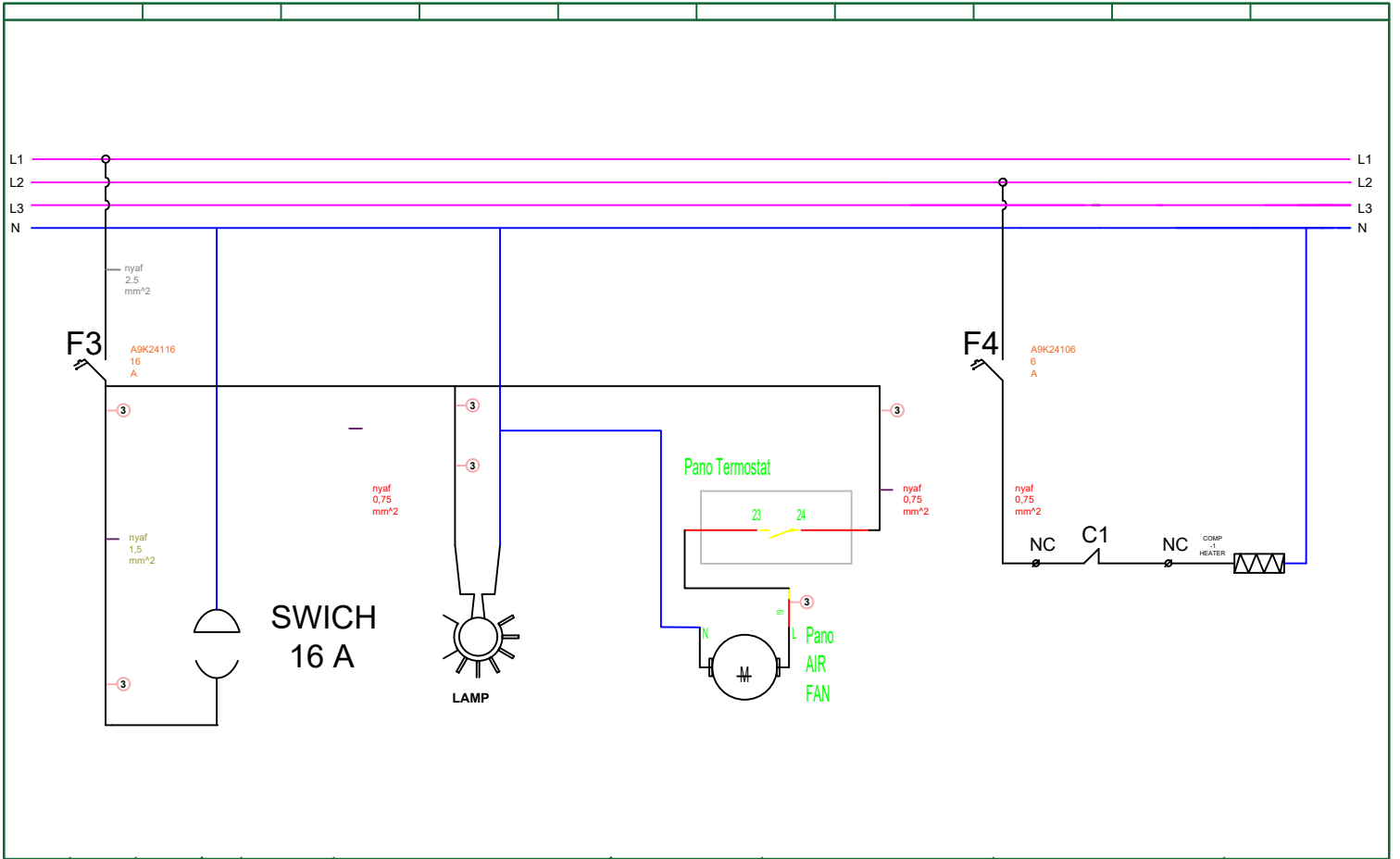


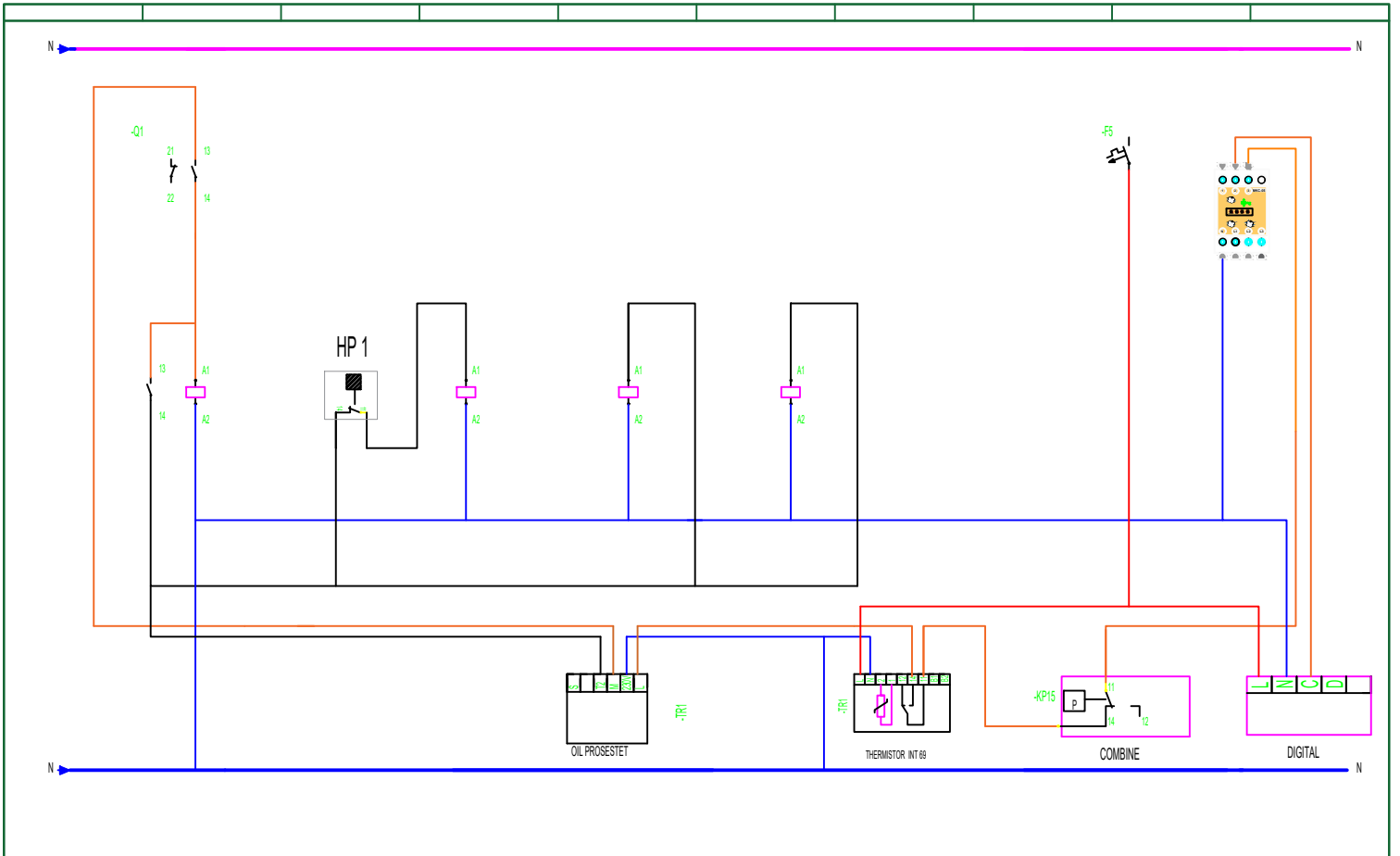
Date				Drawing				ELECTRIC MAIN LINE				Control			
Date	Name			Date	Name			Date	Name			Date	Name		



Date				Drawing				FAN MAIN LINE				Control			
Date	Name			Date	Name			Date	Name			Date	Name		



Date	Drawing	Control	SWICH - LAMP - AIR FAN - HEATER
Date	Name		



Date	Drawing	Control	ELECTRIC COMMAND LINE
Date	Name		

