



Datasheets

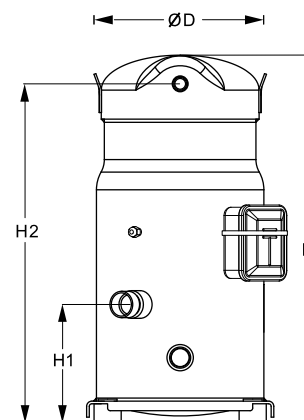
# Performer<sup>®</sup> scroll compressors **SM / SY / SZ / SH**



**General Characteristics**

Model number (on compressor nameplate)		<b>SZ110S4VC</b>
Code number for Singlepack*		SZ110-4VI
Code number for Industrial pack**		SZ110-4VM
Drawing number		8552037b
Suction and discharge connections		Brazed
Suction connection		1-3/8" ODF
Discharge connection		7/8" ODF
Oil sight glass		Threaded
Oil equalisation connection		3/8" flare SAE
Oil drain connection		None
LP gauge port		Schrader
IPR valve		None
Swept volume		144,2 cm <sup>3</sup> /rev
Displacement @ Nominal speed		25.1 m <sup>3</sup> /h @ 2900 rpm - 30.3 m <sup>3</sup> /h @ 3500 rpm
Net weight		73 kg
Oil charge		3,25 litre, POE - 160SZ
Maximum system test pressure Low Side / High side		25 bar(g) / 32 bar(g)
Maximum differential test pressure		24 bar
Maximum number of starts per hour		12
Refrigerant charge limit		10 kg
Approved refrigerants		R407C, R134a, R404A, R507A

**Dimensions**

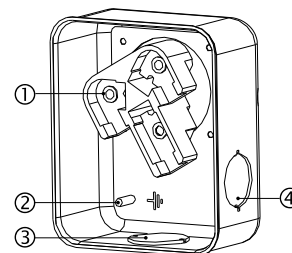


D=254 mm  
H=558 mm  
H1=178,4 mm  
H2=514,5 mm

**Electrical Characteristics**

Nominal voltage	380-400V/3/50Hz - 460V/3/60Hz
Voltage range	340-440 V @ 50Hz - 414-506 V @ 60Hz
Winding resistance (between phases) +/- 7% at 25°C	1.05 Ω
Rated Load Amps (RLA)	15.7 A
Maximum Continuous Current (MCC)	22 A
Locked Rotor Amps (LRA)	130 A
Motor protection	Internal overload protector

**Terminal box**



IP54 (with cable gland)  
1: Power connection, 3 x 4.8 mm (3/16")  
2: Earth M4-12  
3: Knock-out Ø 29 mm (1.14")  
4: Knock-out Ø 25.5 mm (1.00")

**Recommended Installation torques**

Oil sight glass	50 Nm
Power connections / Earth connection	3 Nm / 2 Nm
Mounting bolts	21 Nm

**Parts shipped with compressor**

Mounting kit with grommets, bolts, nuts, sleeves and washers
Initial oil charge
Installation instructions

**Approvals** : CE certified, UL certified (file SA6873), -

\*Singlepack: Compressor in cardboard box

\*\*Industrial pack: 8 Unboxed compressors on pallet (order per multiples of 8)

**Rotolock accessories, suction side**
**Code no.**

Solder sleeve, P10 (1-3/4" Rotolock, 1-3/8" ODF)	8153003
Rotolock valve, V10 (1-3/4" Rotolock, 1-3/8" ODF)	8168022
Gasket, 1-3/4"	8156132

**Rotolock accessories, discharge side**
**Code no.**

Rotolock valve, V05 (1-1/4" Rotolock, 7/8" ODF)	8168030
Gasket, 1-3/4"	8156132

**Rotolock accessories, sets**
**Code no.**

Solder sleeve adapter set (1-3/4" Rotolock, 1-3/8" ODF), (1-1/4" Rotolock, 7/8" ODF)	12020405
Valve set, V10 (1-3/4"~1-3/8"), V05 (1-1/4"~7/8")	7703392
Gasket set, 1-1/4", 1-3/4", 2-1/4", OSG gaskets black & white	8156013

**Oil / lubricants**
**Code no.**

POE lubricant, 160SZ, 1 litre can	7754023
POE lubricant, 160SZ, 2 litre can	7754024

**Crankcase heaters**
**Code no.**

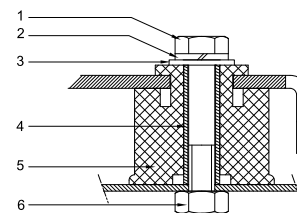
Surface sump heater + bottom insulation, 48 W, 24 V, CE mark, UL	12020361
Surface sump heater + bottom insulation, 48 W, 230 V, CE mark, UL	12020380
Surface sump heater + bottom insulation, 48 W, 400 V, CE mark, UL	12020381
Surface sump heater + bottom insulation, 48 W, 460 V, CE mark	12020382
Belt type crankcase heater, 65 W, 460 V, CE mark, UL	12020466
Belt type crankcase heater, 65 W, 230 V, CE mark, UL	7773107
Belt type crankcase heater, 65 W, 400 V, CE mark, UL	7773117
Belt type crankcase heater, 65 W, 400 V, CE mark, UL	12020039

**Miscellaneous accessories**
**Code no.**

Electronic soft start kit, MCI 15 C	7705006
Soft start kit with statoric resistors, prewired box, SCR03	7705001
Acoustic hood for scroll compressor S110-S120	7755010
Discharge thermostat kit	7750009

**Spare parts**
**Code no.**

Mounting kit for 1 scroll compressor including 4 grommets, 4 sleeves, 4 bolts, 4 washers	8156138
Oil sight glass with gaskets (black & white)	8156019
Gasket for oil sight glass (white teflon)	8156129
Service kit for terminal box 96 x 115 mm, including 1 cover, 1 clamp, 1 T block connector 52 x 57 mm	8156135
T block connector 52 x 57 mm	8173230

**Mounting kit**


- 1: Bolt (4x)
- 2: Lock washer (4x)
- 3: Flat washer (4x)
- 4: Sleeve (4x)
- 5: Grommet (4x)
- 6: Nut (4x)

**Performance data at 50 Hz, EN 12900 rating conditions**
**R407C**

Cond. temp. in °C (tc)	Evaporating temperature in °C (to)							
	-20	-15	-10	-5	0	5	10	15

**Cooling capacity in W**

30	9 302	11 883	14 976	18 633	22 911	27 863	33 544	40 010	-
35	8 669	11 172	14 159	17 684	21 802	26 567	32 035	38 259	-
40	8 018	10 424	13 288	16 663	20 604	25 165	30 400	36 364	-
45	-	9 643	12 365	15 573	19 318	23 656	28 641	34 327	-
50	-	-	11 391	14 412	17 945	22 042	26 758	32 146	-
55	-	-	-	13 184	16 485	20 323	24 751	29 823	-
60	-	-	-	-	14 939	18 498	22 620	27 356	-
65	-	-	-	-	13 305	16 568	20 363	24 742	-

**Power input in W**

30	4 411	4 455	4 491	4 514	4 520	4 508	4 472	4 409	-
35	4 928	4 972	5 007	5 029	5 035	5 021	4 983	4 919	-
40	5 519	5 562	5 596	5 617	5 622	5 606	5 567	5 501	-
45	-	6 234	6 267	6 287	6 290	6 273	6 233	6 165	-
50	-	-	7 029	7 048	7 050	7 031	6 989	6 918	-
55	-	-	-	7 908	7 909	7 888	7 844	7 771	-
60	-	-	-	-	8 876	8 854	8 808	8 733	-
65	-	-	-	-	9 962	9 938	9 889	9 812	-

**Current consumption in A**

30	10.42	10.48	10.53	10.56	10.55	10.51	10.42	10.27	-
35	10.93	11.00	11.05	11.08	11.07	11.03	10.94	10.80	-
40	11.56	11.63	11.68	11.71	11.70	11.66	11.58	11.44	-
45	-	12.38	12.43	12.46	12.46	12.42	12.34	12.21	-
50	-	-	13.33	13.36	13.36	13.33	13.25	13.12	-
55	-	-	-	14.41	14.42	14.39	14.31	14.19	-
60	-	-	-	-	15.65	15.63	15.56	15.44	-
65	-	-	-	-	17.08	17.06	16.99	16.88	-

**Mass flow in kg/h**

30	194	243	301	368	444	532	631	744	-
35	190	240	298	365	443	531	631	743	-
40	185	236	294	362	440	528	628	741	-
45	-	231	290	358	436	524	624	737	-
50	-	-	284	352	430	518	618	730	-
55	-	-	-	345	422	510	609	721	-
60	-	-	-	-	412	500	598	709	-
65	-	-	-	-	401	487	585	695	-

**Coefficient of performance (C.O.P.)**

30	2.11	2.67	3.33	4.13	5.07	6.18	7.50	9.08	-
35	1.76	2.25	2.83	3.52	4.33	5.29	6.43	7.78	-
40	1.45	1.87	2.37	2.97	3.67	4.49	5.46	6.61	-
45	-	1.55	1.97	2.48	3.07	3.77	4.60	5.57	-
50	-	-	1.62	2.04	2.55	3.13	3.83	4.65	-
55	-	-	-	1.67	2.08	2.58	3.16	3.84	-
60	-	-	-	-	1.68	2.09	2.57	3.13	-
65	-	-	-	-	1.34	1.67	2.06	2.52	-

**Nominal performance at to = 5 °C, tc = 50 °C**

Cooling capacity	22 042	W
Power input	7 031	W
Current consumption	13.33	A
Mass flow	518	kg/h
C.O.P.	3.13	

**Pressure switch settings**

Maximum HP switch setting	29.5	bar(g)
Minimum LP switch setting	0.5	bar(g)
LP pump down setting	1	bar(g)

**Sound power data**

Sound power level	77	dB(A)
With acoustic hood	69	dB(A)

to: Evaporating temperature at dew point

tc: Condensing temperature at dew point

Rating conditions : Superheat = 10 K , Subcooling = 0 K

All performance data +/- 5%

Danfoss can accept no responsibility for possible errors in catalogues, brochures and other printed material. Danfoss reserves the right to alter its products without notice. This also applies to products already on order provided that such alternations can be made without subsequential changes being necessary in specifications already agreed. All trademarks in this material are property of the respective companies. Danfoss, the Danfoss logotype and Performer are trademarks of Danfoss A/S. All rights reserved.

Performance data at 50 Hz, ARI rating conditions

R407C

Cond. temp. in °C (tc)	Evaporating temperature in °C (to)							
	-20	-15	-10	-5	0	5	10	15

Cooling capacity in W

30	9 976	12 730	16 025	19 918	24 465	29 724	35 750	42 602	-
35	9 343	12 025	15 221	18 988	23 383	28 463	34 285	40 906	-
40	8 690	11 282	14 361	17 985	22 210	27 094	32 693	39 064	-
45	-	10 502	13 447	16 909	20 947	25 616	30 973	37 077	-
50	-	-	12 478	15 761	19 592	24 029	29 128	34 945	-
55	-	-	-	14 541	18 149	22 335	27 156	32 670	-
60	-	-	-	-	16 615	20 533	25 059	30 252	-
65	-	-	-	-	14 994	18 624	22 838	27 690	-

Power input in W

30	4 411	4 455	4 491	4 514	4 520	4 508	4 472	4 409	-
35	4 928	4 972	5 007	5 029	5 035	5 021	4 983	4 919	-
40	5 519	5 562	5 596	5 617	5 622	5 606	5 567	5 501	-
45	-	6 234	6 267	6 287	6 290	6 273	6 233	6 165	-
50	-	-	7 029	7 048	7 050	7 031	6 989	6 918	-
55	-	-	-	7 908	7 909	7 888	7 844	7 771	-
60	-	-	-	-	8 876	8 854	8 808	8 733	-
65	-	-	-	-	9 962	9 938	9 889	9 812	-

Current consumption in A

30	10.42	10.48	10.53	10.56	10.55	10.51	10.42	10.27	-
35	10.93	11.00	11.05	11.08	11.07	11.03	10.94	10.80	-
40	11.56	11.63	11.68	11.71	11.70	11.66	11.58	11.44	-
45	-	12.38	12.43	12.46	12.46	12.42	12.34	12.21	-
50	-	-	13.33	13.36	13.36	13.33	13.25	13.12	-
55	-	-	-	14.41	14.42	14.39	14.31	14.19	-
60	-	-	-	-	15.65	15.63	15.56	15.44	-
65	-	-	-	-	17.08	17.06	16.99	16.88	-

Mass flow in kg/h

30	193	242	299	366	442	529	628	739	-
35	189	239	296	363	440	528	627	739	-
40	184	234	293	360	437	525	625	736	-
45	-	229	288	356	433	521	620	732	-
50	-	-	282	350	427	515	614	725	-
55	-	-	-	343	420	507	606	716	-
60	-	-	-	-	410	497	595	705	-
65	-	-	-	-	399	485	582	691	-

Coefficient of performance (C.O.P.)

30	2.26	2.86	3.57	4.41	5.41	6.59	7.99	9.66	-
35	1.90	2.42	3.04	3.78	4.64	5.67	6.88	8.32	-
40	1.57	2.03	2.57	3.20	3.95	4.83	5.87	7.10	-
45	-	1.68	2.15	2.69	3.33	4.08	4.97	6.01	-
50	-	-	1.78	2.24	2.78	3.42	4.17	5.05	-
55	-	-	-	1.84	2.29	2.83	3.46	4.20	-
60	-	-	-	-	1.87	2.32	2.85	3.46	-
65	-	-	-	-	1.51	1.87	2.31	2.82	-

Nominal performance at to = 7.2 °C, tc = 54.4 °C

Cooling capacity	24 598	W
Power input	7 764	W
Current consumption	14.22	A
Mass flow	550	kg/h
C.O.P.	3.17	

Pressure switch settings

Maximum HP switch setting	29.5	bar(g)
Minimum LP switch setting	0.5	bar(g)
LP pump down setting	1	bar(g)

Sound power data

Sound power level	77	dB(A)
With acoustic hood	69	dB(A)

to: Evaporating temperature at dew point

tc: Condensing temperature at dew point

Rating conditions : Superheat = 11.1 K , Subcooling = 8.3 K

All performance data +/- 5%

Danfoss can accept no responsibility for possible errors in catalogues, brochures and other printed material. Danfoss reserves the right to alter its products without notice. This also applies to products already on order provided that such alternations can be made without subsequential changes being necessary in specifications already agreed. All trademarks in this material are property of the respective companies. Danfoss, the Danfoss logotype and Performer are trademarks of Danfoss A/S. All rights reserved.

**Performance data at 50 Hz, EN 12900 rating conditions**
**R134a**

Cond. temp. in °C (tc)	Evaporating temperature in °C (to)							
	-15	-10	-5	0	5	10	15	

**Cooling capacity in W**

35	7 616	9 722	12 194	15 069	18 383	22 172	26 473	-	-
40	7 151	9 181	11 560	14 325	17 511	21 155	25 294	-	-
45	6 660	8 603	10 878	13 522	16 570	20 059	24 025	-	-
50	6 143	7 989	10 150	12 663	15 563	18 885	22 667	-	-
55	-	7 340	9 377	11 748	14 488	17 634	21 222	-	-
60	-	-	8 560	10 778	13 349	16 307	19 689	-	-
65	-	-	-	9 755	12 144	14 904	18 069	-	-
70	-	-	-	8 679	10 877	13 426	16 362	-	-

**Power input in W**

35	3 499	3 520	3 535	3 539	3 531	3 509	3 470	-	-
40	3 898	3 922	3 938	3 944	3 939	3 920	3 885	-	-
45	4 345	4 371	4 389	4 398	4 396	4 380	4 348	-	-
50	4 844	4 871	4 891	4 903	4 904	4 892	4 864	-	-
55	-	5 425	5 449	5 464	5 468	5 460	5 436	-	-
60	-	-	6 064	6 082	6 090	6 086	6 067	-	-
65	-	-	-	6 762	6 774	6 774	6 760	-	-
70	-	-	-	7 507	7 523	7 527	7 518	-	-

**Current consumption in A**

35	9.65	9.68	9.69	9.70	9.69	9.66	9.61	-	-
40	9.99	10.02	10.04	10.05	10.05	10.02	9.98	-	-
45	10.40	10.44	10.46	10.47	10.47	10.45	10.41	-	-
50	10.89	10.93	10.96	10.98	10.98	10.96	10.93	-	-
55	-	11.51	11.54	11.56	11.57	11.56	11.53	-	-
60	-	-	12.22	12.24	12.26	12.25	12.23	-	-
65	-	-	-	13.02	13.04	13.04	13.03	-	-
70	-	-	-	13.91	13.93	13.94	13.93	-	-

**Mass flow in kg/h**

35	185	231	283	343	410	485	570	-	-
40	182	229	282	341	409	485	569	-	-
45	179	226	279	339	407	483	567	-	-
50	175	222	276	336	404	479	563	-	-
55	-	218	271	331	399	474	558	-	-
60	-	-	265	325	392	467	550	-	-
65	-	-	-	317	384	458	541	-	-
70	-	-	-	307	373	447	529	-	-

**Coefficient of performance (C.O.P.)**

35	2.18	2.76	3.45	4.26	5.21	6.32	7.63	-	-
40	1.83	2.34	2.94	3.63	4.45	5.40	6.51	-	-
45	1.53	1.97	2.48	3.07	3.77	4.58	5.53	-	-
50	1.27	1.64	2.08	2.58	3.17	3.86	4.66	-	-
55	-	1.35	1.72	2.15	2.65	3.23	3.90	-	-
60	-	-	1.41	1.77	2.19	2.68	3.25	-	-
65	-	-	-	1.44	1.79	2.20	2.67	-	-
70	-	-	-	1.16	1.45	1.78	2.18	-	-

**Nominal performance at to = 5 °C, tc = 50 °C**

Cooling capacity	15 563	W
Power input	4 904	W
Current consumption	10.98	A
Mass flow	404	kg/h
C.O.P.	3.17	

**Pressure switch settings**

Maximum HP switch setting	20.5	bar(g)
Minimum LP switch setting	0.5	bar(g)
LP pump down setting	0.5	bar(g)

**Sound power data**

Sound power level	0	dB(A)
With acoustic hood	0	dB(A)

to: Evaporating temperature at dew point

tc: Condensing temperature at dew point

Rating conditions : Superheat = 10 K , Subcooling = 0 K

All performance data +/- 5%

Danfoss can accept no responsibility for possible errors in catalogues, brochures and other printed material. Danfoss reserves the right to alter its products without notice. This also applies to products already on order provided that such alternations can be made without subsequential changes being necessary in specifications already agreed. All trademarks in this material are property of the respective companies. Danfoss, the Danfoss logotype and Performer are trademarks of Danfoss A/S. All rights reserved.

**Performance data at 50 Hz, ARI rating conditions**
**R134a**

Cond. temp. in °C (tc)	Evaporating temperature in °C (to)							
	-15	-10	-5	0	5	10	15	

**Cooling capacity in W**

35	8 249	10 513	13 165	16 243	19 785	23 829	28 412	-	-
40	7 788	9 980	12 543	15 516	18 936	22 841	27 268	-	-
45	7 298	9 408	11 872	14 729	18 016	21 770	26 030	-	-
50	6 781	8 797	11 151	13 881	17 024	20 618	24 701	-	-
55	-	8 148	10 382	12 974	15 963	19 386	23 280	-	-
60	-	-	9 565	12 009	14 832	18 073	21 768	-	-
65	-	-	-	10 986	13 633	16 681	20 167	-	-
70	-	-	-	9 905	12 367	15 211	18 476	-	-

**Power input in W**

35	3 499	3 520	3 535	3 539	3 531	3 509	3 470	-	-
40	3 898	3 922	3 938	3 944	3 939	3 920	3 885	-	-
45	4 345	4 371	4 389	4 398	4 396	4 380	4 348	-	-
50	4 844	4 871	4 891	4 903	4 904	4 892	4 864	-	-
55	-	5 425	5 449	5 464	5 468	5 460	5 436	-	-
60	-	-	6 064	6 082	6 090	6 086	6 067	-	-
65	-	-	-	6 762	6 774	6 774	6 760	-	-
70	-	-	-	7 507	7 523	7 527	7 518	-	-

**Current consumption in A**

35	9.65	9.68	9.69	9.70	9.69	9.66	9.61	-	-
40	9.99	10.02	10.04	10.05	10.05	10.02	9.98	-	-
45	10.40	10.44	10.46	10.47	10.47	10.45	10.41	-	-
50	10.89	10.93	10.96	10.98	10.98	10.96	10.93	-	-
55	-	11.51	11.54	11.56	11.57	11.56	11.53	-	-
60	-	-	12.22	12.24	12.26	12.25	12.23	-	-
65	-	-	-	13.02	13.04	13.04	13.03	-	-
70	-	-	-	13.91	13.93	13.94	13.93	-	-

**Mass flow in kg/h**

35	184	229	282	341	408	483	566	-	-
40	181	227	280	340	407	482	566	-	-
45	178	225	278	338	405	480	564	-	-
50	175	221	274	334	402	477	560	-	-
55	-	217	270	330	397	472	555	-	-
60	-	-	264	323	390	465	547	-	-
65	-	-	-	315	382	456	538	-	-
70	-	-	-	306	371	444	526	-	-

**Coefficient of performance (C.O.P.)**

35	2.36	2.99	3.72	4.59	5.60	6.79	8.19	-	-
40	2.00	2.54	3.19	3.93	4.81	5.83	7.02	-	-
45	1.68	2.15	2.71	3.35	4.10	4.97	5.99	-	-
50	1.40	1.81	2.28	2.83	3.47	4.21	5.08	-	-
55	-	1.50	1.91	2.37	2.92	3.55	4.28	-	-
60	-	-	1.58	1.97	2.44	2.97	3.59	-	-
65	-	-	-	1.62	2.01	2.46	2.98	-	-
70	-	-	-	1.32	1.64	2.02	2.46	-	-

**Nominal performance at to = 7.2 °C, tc = 54.4 °C**

Cooling capacity	17 553	W
Power input	5 395	W
Current consumption	11.49	A
Mass flow	429	kg/h
C.O.P.	3.25	

**Pressure switch settings**

Maximum HP switch setting	20.5	bar(g)
Minimum LP switch setting	0.5	bar(g)
LP pump down setting	0.5	bar(g)

**Sound power data**

Sound power level	0	dB(A)
With acoustic hood	0	dB(A)

to: Evaporating temperature at dew point

tc: Condensing temperature at dew point

Rating conditions : Superheat = 11.1 K , Subcooling = 8.3 K

All performance data +/- 5%

Danfoss can accept no responsibility for possible errors in catalogues, brochures and other printed material. Danfoss reserves the right to alter its products without notice. This also applies to products already on order provided that such alternations can be made without subsequential changes being necessary in specifications already agreed. All trademarks in this material are property of the respective companies. Danfoss, the Danfoss logotype and Performer are trademarks of Danfoss A/S. All rights reserved.

