



Datasheets

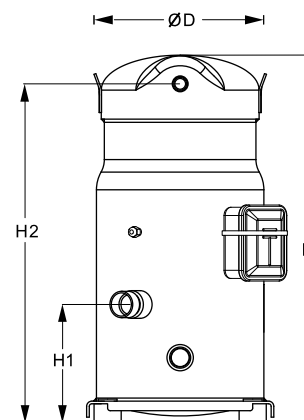
Performer[®] scroll compressors **SM / SY / SZ / SH**



General Characteristics

Model number (on compressor nameplate)		SM120S4VC
Code number for Singlepack*		SM120-4V1
Code number for Industrial pack**		SM120-4VM
Drawing number		8552037b
Suction and discharge connections		Brazed
Suction connection		1-3/8" ODF
Discharge connection		7/8" ODF
Oil sight glass		Threaded
Oil equalisation connection		3/8" flare SAE
Oil drain connection		None
LP gauge port		Schrader
IPR valve		None
Swept volume		166,6 cm ³ /rev
Displacement @ Nominal speed		29.0 m ³ /h @ 2900 rpm - 35.0 m ³ /h @ 3500 rpm
Net weight		73 kg
Oil charge		3,25 litre, Mineral - 160P
Maximum system test pressure Low Side / High side		25 bar(g) / 32 bar(g)
Maximum differential test pressure		24 bar
Maximum number of starts per hour		12
Refrigerant charge limit		10 kg
Approved refrigerants		R22, R417A-160SZ

Dimensions

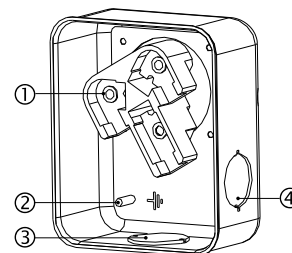


D=254 mm
H=558 mm
H1=178,4 mm
H2=514,5 mm

Electrical Characteristics

Nominal voltage	380-400V/3/50Hz - 460V/3/60Hz
Voltage range	340-440 V @ 50Hz - 414-506 V @ 60Hz
Winding resistance (between phases) +/- 7% at 25°C	1.05 Ω
Rated Load Amps (RLA)	20.7 A
Maximum Continuous Current (MCC)	29 A
Locked Rotor Amps (LRA)	130 A
Motor protection	Internal overload protector

Terminal box



IP54 (with cable gland)
1: Power connection, 3 x 4.8 mm (3/16")
2: Earth M4-12
3: Knock-out Ø 29 mm (1.14")
4: Knock-out Ø 25.5 mm (1.00")

Recommended Installation torques

Oil sight glass	50 Nm
Power connections / Earth connection	3 Nm / 2 Nm
Mounting bolts	21 Nm

Parts shipped with compressor

Mounting kit with grommets, bolts, nuts, sleeves and washers
Initial oil charge
Installation instructions

Approvals : CE certified, UL certified (file SA6873), -

*Singlepack: Compressor in cardboard box

**Industrial pack: 8 Unboxed compressors on pallet (order per multiples of 8)

Rotolock accessories, suction side

Code no.

Solder sleeve, P10 (1-3/4" Rotolock, 1-3/8" ODF)	8153003
Rotolock valve, V10 (1-3/4" Rotolock, 1-3/8" ODF)	8168022
Gasket, 1-3/4"	8156132

Rotolock accessories, discharge side

Code no.

Rotolock valve, V05 (1-1/4" Rotolock, 7/8" ODF)	8168030
Gasket, 1-3/4"	8156132

Rotolock accessories, sets

Code no.

Solder sleeve adapter set (1-3/4" Rotolock, 1-3/8" ODF), (1-1/4" Rotolock, 7/8" ODF)	12020405
Valve set, V10 (1-3/4"~1-3/8"), V05 (1-1/4"~7/8")	7703392
Gasket set, 1-1/4", 1-3/4", 2-1/4", OSG gaskets black & white	8156013

Oil / lubricants

Code no.

Mineral oil, 160P, 2 litre can	7754001
Mineral oil, 160P, 5 litre can	7754002

Crankcase heaters

Code no.

Surface sump heater + bottom insulation, 48 W, 24 V, CE mark, UL	12020361
Surface sump heater + bottom insulation, 48 W, 230 V, CE mark, UL	12020380
Surface sump heater + bottom insulation, 48 W, 400 V, CE mark, UL	12020381
Surface sump heater + bottom insulation, 48 W, 460 V, CE mark	12020382
Belt type crankcase heater, 65 W, 460 V, CE mark, UL	12020466
Belt type crankcase heater, 65 W, 230 V, CE mark, UL	7773107
Belt type crankcase heater, 65 W, 400 V, CE mark, UL	7773117
Belt type crankcase heater, 65 W, 400 V, CE mark, UL	12020039

Miscellaneous accessories

Code no.

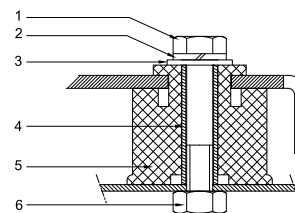
Electronic soft start kit, MCI 25 C	7705007
Soft start kit with statoric resistors, prewired box, SCR03	7705001
Acoustic hood for scroll compressor S110-S120	7755010
Discharge thermostat kit	7750009

Spare parts

Code no.

Mounting kit for 1 scroll compressor including 4 grommets, 4 sleeves, 4 bolts, 4 washers	8156138
Oil sight glass with gaskets (black & white)	8156019
Gasket for oil sight glass (white teflon)	8156129
Service kit for terminal box 96 x 115 mm, including 1 cover, 1 clamp, 1 T block connector 52 x 57 mm	8156135
T block connector 52 x 57 mm	8173230

Mounting kit



- 1: Bolt (4x)
- 2: Lock washer (4x)
- 3: Flat washer (4x)
- 4: Sleeve (4x)
- 5: Grommet (4x)
- 6: Nut (4x)

Performance data at 50 Hz, EN 12900 rating conditions
R22

Cond. temp. in °C (tc)	Evaporating temperature in °C (to)							
	-20	-15	-10	-5	0	5	10	15

Cooling capacity in W

30	11 899	15 103	18 792	23 004	27 774	33 141	39 139	45 806	-
35	11 124	14 252	17 845	21 940	26 575	31 784	37 605	44 075	-
40	10 340	13 379	16 865	20 832	25 318	30 359	35 992	42 252	-
45	-	12 474	15 837	19 661	23 984	28 841	34 268	40 302	-
50	-	-	14 779	18 449	22 597	27 259	32 471	38 269	-
55	-	-	-	17 182	21 141	25 594	30 575	36 122	-
60	-	-	-	-	19 610	23 837	28 572	33 851	-
65	-	-	-	-	18 026	22 016	26 492	31 491	-

Power input in W

30	5 371	5 364	5 359	5 356	5 354	5 354	5 356	5 358	-
35	5 981	5 970	5 959	5 949	5 940	5 931	5 922	5 913	-
40	6 672	6 656	6 639	6 622	6 604	6 585	6 566	6 545	-
45	-	7 432	7 408	7 383	7 356	7 326	7 295	7 261	-
50	-	-	8 274	8 240	8 202	8 161	8 117	8 070	-
55	-	-	-	9 201	9 152	9 100	9 042	8 980	-
60	-	-	-	-	10 214	10 149	10 077	10 000	-
65	-	-	-	-	11 396	11 317	11 230	11 137	-

Current consumption in A

30	12.34	12.33	12.32	12.31	12.29	12.26	12.23	12.19	-
35	12.94	12.93	12.92	12.90	12.87	12.84	12.80	12.75	-
40	13.67	13.65	13.63	13.61	13.58	13.54	13.49	13.44	-
45	-	14.51	14.49	14.46	14.42	14.38	14.33	14.26	-
50	-	-	15.50	15.47	15.42	15.37	15.31	15.24	-
55	-	-	-	16.64	16.59	16.53	16.46	16.38	-
60	-	-	-	-	17.95	17.88	17.80	17.70	-
65	-	-	-	-	19.50	19.42	19.33	19.23	-

Mass flow in kg/h

30	256	321	394	476	568	670	783	908	-
35	249	315	389	472	564	667	781	906	-
40	241	308	383	466	559	663	777	902	-
45	-	300	375	459	553	657	771	897	-
50	-	-	367	451	545	649	763	889	-
55	-	-	-	441	535	639	753	878	-
60	-	-	-	-	523	627	741	866	-
65	-	-	-	-	510	613	726	851	-

Coefficient of performance (C.O.P.)

30	2.22	2.82	3.51	4.29	5.19	6.19	7.31	8.55	-
35	1.86	2.39	2.99	3.69	4.47	5.36	6.35	7.45	-
40	1.55	2.01	2.54	3.15	3.83	4.61	5.48	6.46	-
45	-	1.68	2.14	2.66	3.26	3.94	4.70	5.55	-
50	-	-	1.79	2.24	2.76	3.34	4.00	4.74	-
55	-	-	-	1.87	2.31	2.81	3.38	4.02	-
60	-	-	-	-	1.92	2.35	2.84	3.39	-
65	-	-	-	-	1.58	1.95	2.36	2.83	-

Nominal performance at to = 5 °C, tc = 50 °C

Cooling capacity	27 259	W
Power input	8 161	W
Current consumption	15.37	A
Mass flow	649	kg/h
C.O.P.	3.34	

Pressure switch settings

Maximum HP switch setting	28	bar(g)
Minimum LP switch setting	0.5	bar(g)
LP pump down setting	1.3	bar(g)

Sound power data

Sound power level	75	dB(A)
With acoustic hood	67	dB(A)

to: Evaporating temperature at dew point

tc: Condensing temperature at dew point

Rating conditions : Superheat = 10 K , Subcooling = 0 K

All performance data +/- 5%

Danfoss can accept no responsibility for possible errors in catalogues, brochures and other printed material. Danfoss reserves the right to alter its products without notice. This also applies to products already on order provided that such alternations can be made without subsequential changes being necessary in specifications already agreed. All trademarks in this material are property of the respective companies. Danfoss, the Danfoss logotype and Performer are trademarks of Danfoss A/S. All rights reserved.

Performance data at 50 Hz, ARI rating conditions
R22

Cond. temp. in °C (tc)	Evaporating temperature in °C (to)							
	-20	-15	-10	-5	0	5	10	15

Cooling capacity in W

30	12 625	16 011	19 907	24 351	29 381	35 034	41 348	48 361	-
35	11 845	15 163	18 970	23 305	28 206	33 711	39 857	46 681	-
40	11 051	14 286	17 992	22 205	26 965	32 308	38 272	44 896	-
45	-	13 382	16 973	21 052	25 657	30 825	36 595	43 004	-
50	-	-	15 914	19 845	24 282	29 263	34 826	41 008	-
55	-	-	-	18 585	22 841	27 622	32 964	38 906	-
60	-	-	-	-	21 335	25 902	31 010	36 699	-
65	-	-	-	-	19 762	24 103	28 965	34 387	-

Power input in W

30	5 371	5 364	5 359	5 356	5 354	5 354	5 356	5 358	-
35	5 981	5 970	5 959	5 949	5 940	5 931	5 922	5 913	-
40	6 672	6 656	6 639	6 622	6 604	6 585	6 566	6 545	-
45	-	7 432	7 408	7 383	7 356	7 326	7 295	7 261	-
50	-	-	8 274	8 240	8 202	8 161	8 117	8 070	-
55	-	-	-	9 201	9 152	9 100	9 042	8 980	-
60	-	-	-	-	10 214	10 149	10 077	10 000	-
65	-	-	-	-	11 396	11 317	11 230	11 137	-

Current consumption in A

30	12.34	12.33	12.32	12.31	12.29	12.26	12.23	12.19	-
35	12.94	12.93	12.92	12.90	12.87	12.84	12.80	12.75	-
40	13.67	13.65	13.63	13.61	13.58	13.54	13.49	13.44	-
45	-	14.51	14.49	14.46	14.42	14.38	14.33	14.26	-
50	-	-	15.50	15.47	15.42	15.37	15.31	15.24	-
55	-	-	-	16.64	16.59	16.53	16.46	16.38	-
60	-	-	-	-	17.95	17.88	17.80	17.70	-
65	-	-	-	-	19.50	19.42	19.33	19.23	-

Mass flow in kg/h

30	255	319	392	474	565	666	779	902	-
35	248	313	387	469	561	663	776	901	-
40	240	306	381	464	556	659	772	897	-
45	-	298	373	457	550	653	767	891	-
50	-	-	365	449	542	645	759	883	-
55	-	-	-	439	532	635	749	873	-
60	-	-	-	-	520	623	737	861	-
65	-	-	-	-	507	609	722	846	-

Coefficient of performance (C.O.P.)

30	2.35	2.98	3.71	4.55	5.49	6.54	7.72	9.03	-
35	1.98	2.54	3.18	3.92	4.75	5.68	6.73	7.89	-
40	1.66	2.15	2.71	3.35	4.08	4.91	5.83	6.86	-
45	-	1.80	2.29	2.85	3.49	4.21	5.02	5.92	-
50	-	-	1.92	2.41	2.96	3.59	4.29	5.08	-
55	-	-	-	2.02	2.50	3.04	3.65	4.33	-
60	-	-	-	-	2.09	2.55	3.08	3.67	-
65	-	-	-	-	1.73	2.13	2.58	3.09	-

Nominal performance at to = 7.2 °C, tc = 54.4 °C

Cooling capacity	30 114	W
Power input	8 957	W
Current consumption	16.36	A
Mass flow	685	kg/h
C.O.P.	3.36	

Pressure switch settings

Maximum HP switch setting	28	bar(g)
Minimum LP switch setting	0.5	bar(g)
LP pump down setting	1.3	bar(g)

Sound power data

Sound power level	75	dB(A)
With acoustic hood	67	dB(A)

to: Evaporating temperature at dew point

tc: Condensing temperature at dew point

Rating conditions : Superheat = 11.1 K , Subcooling = 8.3 K

All performance data +/- 5%

Danfoss can accept no responsibility for possible errors in catalogues, brochures and other printed material. Danfoss reserves the right to alter its products without notice. This also applies to products already on order provided that such alternations can be made without subsequential changes being necessary in specifications already agreed. All trademarks in this material are property of the respective companies. Danfoss, the Danfoss logotype and Performer are trademarks of Danfoss A/S. All rights reserved.

