



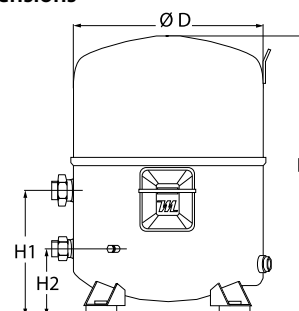
Datasheets

# Maneurop<sup>®</sup> Reciprocating compressors MT / MTZ / MPZ / NTZ



**General Characteristics**

Model number (on compressor nameplate)		<b>MT144HV4</b>
Code number for Industrial pack**		MT144-4M
Drawing number		8504014e
Suction and discharge connections		Rotolock
Suction connection		1-3/4" Rotolock
Discharge connection		1-1/4" Rotolock
Suction connection with supplied sleeve		1-1/8" ODF
Discharge connection with supplied sleeve		3/4" ODF
Oil sight glass		Brazed
Oil equalisation connection		None
Oil drain connection		None
LP gauge port		Schrader
IPR valve		30 bar / 8 bar
Cylinders		4
Swept volume		241,87 cm <sup>3</sup> /rev
Displacement @ Nominal speed		42.1 m <sup>3</sup> /h @ 2900 rpm - 50.8 m <sup>3</sup> /h @ 3500 rpm
Net weight		67 kg
Oil charge		3,9 litre, Mineral - 160P
Maximum system test pressure Low Side / High side		25 bar(g) / 30 bar(g)
Maximum differential test pressure		30 bar
Maximum number of starts per hour		12
Refrigerant charge limit		10 kg
Approved refrigerants		R22, R417A-160PZ

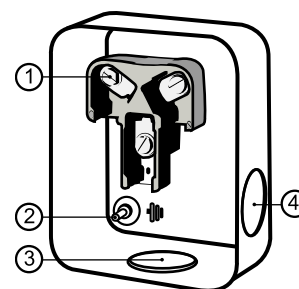
**Dimensions**


D=352 mm

H=540 mm

H1=233 mm

H2=125 mm

**Terminal box**


IP54 (with cable gland)

1: Screw connectors 10-32 UNF x 9.5

2: Earth M4-12

3: Knock-out Ø 29 mm (1.14")

4: Knock-out Ø 25.5 mm (1.00")

**Electrical Characteristics**

Nominal voltage	380-400V/3/50Hz - 460V/3/60Hz
Voltage range	340-440 V @ 50Hz - 414-506 V @ 60Hz
Winding resistance (between phases) +/- 7% at 25°C	1.19 Ω
Maximum Continuous Current (MCC)	30 A
Locked Rotor Amps (LRA)	115 A
Motor protection	Internal overload protector

**Recommended Installation torques**

Oil sight glass	0 Nm
Power connections / Earth connection	3 Nm / 2 Nm
Mounting bolts	50 Nm

**Parts shipped with compressor**

Mounting kit with grommets, bolts, nuts, sleeves and washers
Initial oil charge
Installation instructions

**Approvals** : CE certified, UL certified (file SA6873), -

\*Singlepack: Compressor in cardboard box

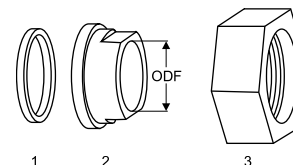
\*\*Industrial pack: 6 Unboxed compressors on pallet (order per multiples of 6)

**Rotolock accessories, suction side**

**Code no.**

Solder sleeve, P02 (1-3/4" Rotolock, 1-1/8" ODF)	8153004
Angle adapter, C02 (1-3/4" Rotolock, 1-1/8" ODF)	8168005
Rotolock valve, V02 (1-3/4" Rotolock, 1-1/8" ODF)	8168028
Gasket, 1-3/4"	8156132

**Gaskets, sleeves and nuts**



- 1: Gasket
- 2: Solder sleeve
- 3: Rotolock nut

**Rotolock accessories, discharge side**

**Code no.**

Solder sleeve, P04 (1-1/4" Rotolock, 3/4" ODF)	8153008
Angle adapter, C04 (1-1/4" Rotolock, 3/4" ODF)	8168006
Rotolock valve, V04 (1-1/4" Rotolock, 3/4" ODF)	8168029
Gasket, 1-1/4"	8156131

**Rotolock accessories, sets**

**Code no.**

Angle adapter set, C02 (1-3/4"~1-1/8"), C04 (1-1/4"~3/4")	7703014
Valve set, V02 (1-3/4"~1-1/8"), V04 (1-1/4"~3/4")	7703009
Gasket set, 1", 1-1/4", 1-3/4", OSG gaskets black & white	8156009

**Oil / lubricants**

**Code no.**

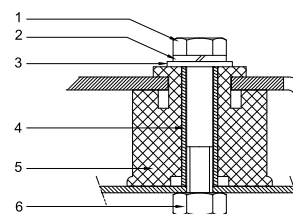
Mineral oil, 160P, 2 litre can	7754001
Mineral oil, 160P, 5 litre can	7754002

**Crankcase heaters**

**Code no.**

PTC heater 27W	120Z0459
Belt type crankcase heater, 75 W, 230 V, CE mark, UL	7773108
Belt type crankcase heater, 75 W, 400 V, CE mark, UL	7773118
Belt type crankcase heater, 75 W, 460 V, CE mark, UL	120Z0464

**Mounting kit**



- 1: Bolt (3x)
- 2: Lock washer (3x)
- 3: Flat washer (3x)
- 4: Sleeve (3x)
- 5: Grommet (3x)
- 6: Nut (3x)

**Miscellaneous accessories**

**Code no.**

Electronic soft start kit, MCI 25 C	7705007
Soft start kit with statoric resistors, prewired box, SCR03	7705001
Acoustic hood for 4 cylinder compressor	7755003

**Spare parts**

**Code no.**

Mounting kit for 1 and 2 cylinder compressor, including 3 grommets, 3 bolts	8156001
Service kit for terminal box 96 x 115 mm, including 1 cover, 1 clamp, 1 T block connector 52 x 57 mm	8156135
T block connector 52 x 57 mm	8173230

Danfoss can accept no responsibility for possible errors in catalogues, brochures and other printed material. Danfoss reserves the right to alter its products without notice. This also applies to products already on order provided that such alternations can be made without subsequential changes being necessary in specifications already agreed. All trademarks in this material are property of the respective companies. Danfoss, the Danfoss logotype and Maneurop are trademarks of Danfoss A/S. All rights reserved.

**Performance data at 50 Hz, EN 12900 rating conditions**
**R22**

Cond. temp. in °C (tc)	Evaporating temperature in °C (to)							
	-25	-20	-15	-10	-5	0	5	10

**Cooling capacity in W**

30	10 162	13 430	17 401	22 169	27 829	34 475	42 204	51 109	61 287
35	9 063	12 191	15 979	20 520	25 909	32 242	39 611	48 114	57 844
40	8 060	11 022	14 600	18 889	23 982	29 975	36 961	45 035	54 292
45	7 159	9 926	13 266	17 273	22 041	27 664	34 235	41 850	50 602
50	-	8 927	12 005	15 706	20 124	25 352	31 486	38 618	46 842
55	-	-	10 819	14 187	18 228	23 035	28 702	35 323	42 990
60	-	-	-	12 726	16 363	20 720	25 892	31 971	39 051
65	-	-	-	-	14 560	18 445	23 098	28 613	35 081

**Power input in W**

30	5 449	6 085	6 687	7 231	7 695	8 054	8 286	8 366	8 272
35	5 732	6 406	7 058	7 664	8 200	8 645	8 974	9 164	9 191
40	5 972	6 692	7 402	8 077	8 696	9 234	9 669	9 976	10 133
45	6 162	6 936	7 712	8 465	9 174	9 814	10 362	10 795	11 089
50	-	7 131	7 981	8 821	9 627	10 377	11 047	11 614	12 054
55	-	-	8 202	9 136	10 049	10 917	11 717	12 426	13 020
60	-	-	-	9 404	10 432	11 426	12 365	13 223	13 979
65	-	-	-	-	10 768	11 897	12 982	13 999	14 926

**Current consumption in A**

30	13.09	13.88	14.65	15.38	16.01	16.50	16.82	16.93	16.77
35	13.48	14.30	15.13	15.95	16.69	17.33	17.82	18.12	18.20
40	13.79	14.67	15.59	16.51	17.39	18.20	18.88	19.40	19.73
45	14.03	14.98	16.00	17.06	18.10	19.09	19.99	20.75	21.35
50	-	15.23	16.38	17.58	18.80	20.00	21.14	22.16	23.05
55	-	-	16.69	18.07	19.50	20.93	22.32	23.63	24.82
60	-	-	-	18.52	20.17	21.85	23.52	25.14	26.67
65	-	-	-	-	20.82	22.77	24.74	26.68	28.57

**Mass flow in kg/h**

30	222	290	371	465	576	704	851	1 020	1 212
35	205	273	353	447	557	684	831	998	1 188
40	190	257	336	429	537	662	807	972	1 160
45	177	242	319	409	515	638	779	942	1 126
50	-	228	302	389	492	611	749	907	1 088
55	-	-	287	370	468	583	716	870	1 045
60	-	-	-	350	443	553	681	829	998
65	-	-	-	-	418	522	643	785	948

**Coefficient of performance (C.O.P.)**

30	1.86	2.21	2.60	3.07	3.62	4.28	5.09	6.11	7.41
35	1.58	1.90	2.26	2.68	3.16	3.73	4.41	5.25	6.29
40	1.35	1.65	1.97	2.34	2.76	3.25	3.82	4.51	5.36
45	1.16	1.43	1.72	2.04	2.40	2.82	3.30	3.88	4.56
50	-	1.25	1.50	1.78	2.09	2.44	2.85	3.33	3.89
55	-	-	1.32	1.55	1.81	2.11	2.45	2.84	3.30
60	-	-	-	1.35	1.57	1.81	2.09	2.42	2.79
65	-	-	-	-	1.35	1.55	1.78	2.04	2.35

**Nominal performance at to = 5 °C, tc = 50 °C**

Cooling capacity	31 486	W
Power input	11 047	W
Current consumption	21.14	A
Mass flow	749	kg/h
C.O.P.	2.85	

**Pressure switch settings**

Maximum HP switch setting	27.7	bar(g)
Minimum LP switch setting	0.2	bar(g)
LP pump down setting	0.9	bar(g)

**Sound power data**

Sound power level	0	dB(A)
With acoustic hood	0	dB(A)

to: Evaporating temperature at dew point

tc: Condensing temperature at dew point

Rating conditions : Superheat = 10 K , Subcooling = 0 K

All performance data +/- 5%

Danfoss can accept no responsibility for possible errors in catalogues, brochures and other printed material. Danfoss reserves the right to alter its products without notice. This also applies to products already on order provided that such alternations can be made without subsequential changes being necessary in specifications already agreed. All trademarks in this material are property of the respective companies. Danfoss, the Danfoss logotype and Maneurop are trademarks of Danfoss A/S. All rights reserved.

**Performance data at 50 Hz, ARI rating conditions**
**R22**

Cond. temp. in °C (tc)	Evaporating temperature in °C (to)							
	-25	-20	-15	-10	-5	0	5	10

**Cooling capacity in W**

30	10 790	14 249	18 448	23 485	29 460	36 470	44 615	53 994	64 706
35	9 659	12 982	17 000	21 814	27 521	34 221	42 013	50 994	61 265
40	8 624	11 780	15 590	20 151	25 563	31 924	39 333	47 889	57 690
45	7 697	10 660	14 232	18 513	23 600	29 593	36 591	44 692	53 995
50	-	9 635	12 941	16 912	21 646	27 243	33 801	41 418	50 195
55	-	-	11 731	15 363	19 716	24 888	30 977	38 083	46 304
60	-	-	-	13 882	17 824	22 542	28 134	34 700	42 337
65	-	-	-	-	15 986	20 221	25 287	31 283	38 308

**Power input in W**

30	5 449	6 085	6 687	7 231	7 695	8 054	8 286	8 366	8 272
35	5 732	6 406	7 058	7 664	8 200	8 645	8 974	9 164	9 191
40	5 972	6 692	7 402	8 077	8 696	9 234	9 669	9 976	10 133
45	6 162	6 936	7 712	8 465	9 174	9 814	10 362	10 795	11 089
50	-	7 131	7 981	8 821	9 627	10 377	11 047	11 614	12 054
55	-	-	8 202	9 136	10 049	10 917	11 717	12 426	13 020
60	-	-	-	9 404	10 432	11 426	12 365	13 223	13 979
65	-	-	-	-	10 768	11 897	12 982	13 999	14 926

**Current consumption in A**

30	13.09	13.88	14.65	15.38	16.01	16.50	16.82	16.93	16.77
35	13.48	14.30	15.13	15.95	16.69	17.33	17.82	18.12	18.20
40	13.79	14.67	15.59	16.51	17.39	18.20	18.88	19.40	19.73
45	14.03	14.98	16.00	17.06	18.10	19.09	19.99	20.75	21.35
50	-	15.23	16.38	17.58	18.80	20.00	21.14	22.16	23.05
55	-	-	16.69	18.07	19.50	20.93	22.32	23.63	24.82
60	-	-	-	18.52	20.17	21.85	23.52	25.14	26.67
65	-	-	-	-	20.82	22.77	24.74	26.68	28.57

**Mass flow in kg/h**

30	221	289	369	463	573	700	847	1 014	1 205
35	204	272	351	445	554	681	826	993	1 182
40	189	256	334	426	534	659	802	967	1 153
45	176	241	317	407	512	634	775	936	1 120
50	-	227	301	387	489	608	745	902	1 082
55	-	-	285	368	465	580	712	865	1 039
60	-	-	-	348	441	550	677	824	993
65	-	-	-	-	416	519	640	780	942

**Coefficient of performance (C.O.P.)**

30	1.98	2.34	2.76	3.25	3.83	4.53	5.38	6.45	7.82
35	1.69	2.03	2.41	2.85	3.36	3.96	4.68	5.56	6.67
40	1.44	1.76	2.11	2.49	2.94	3.46	4.07	4.80	5.69
45	1.25	1.54	1.85	2.19	2.57	3.02	3.53	4.14	4.87
50	-	1.35	1.62	1.92	2.25	2.63	3.06	3.57	4.16
55	-	-	1.43	1.68	1.96	2.28	2.64	3.06	3.56
60	-	-	-	1.48	1.71	1.97	2.28	2.62	3.03
65	-	-	-	-	1.48	1.70	1.95	2.23	2.57

**Nominal performance at to = 7.2 °C, tc = 54.4 °C**

Cooling capacity	34 340	W
Power input	11 955	W
Current consumption	22.75	A
Mass flow	781	kg/h
C.O.P.	2.87	

**Pressure switch settings**

Maximum HP switch setting	27.7	bar(g)
Minimum LP switch setting	0.2	bar(g)
LP pump down setting	0.9	bar(g)

**Sound power data**

Sound power level	0	dB(A)
With acoustic hood	0	dB(A)

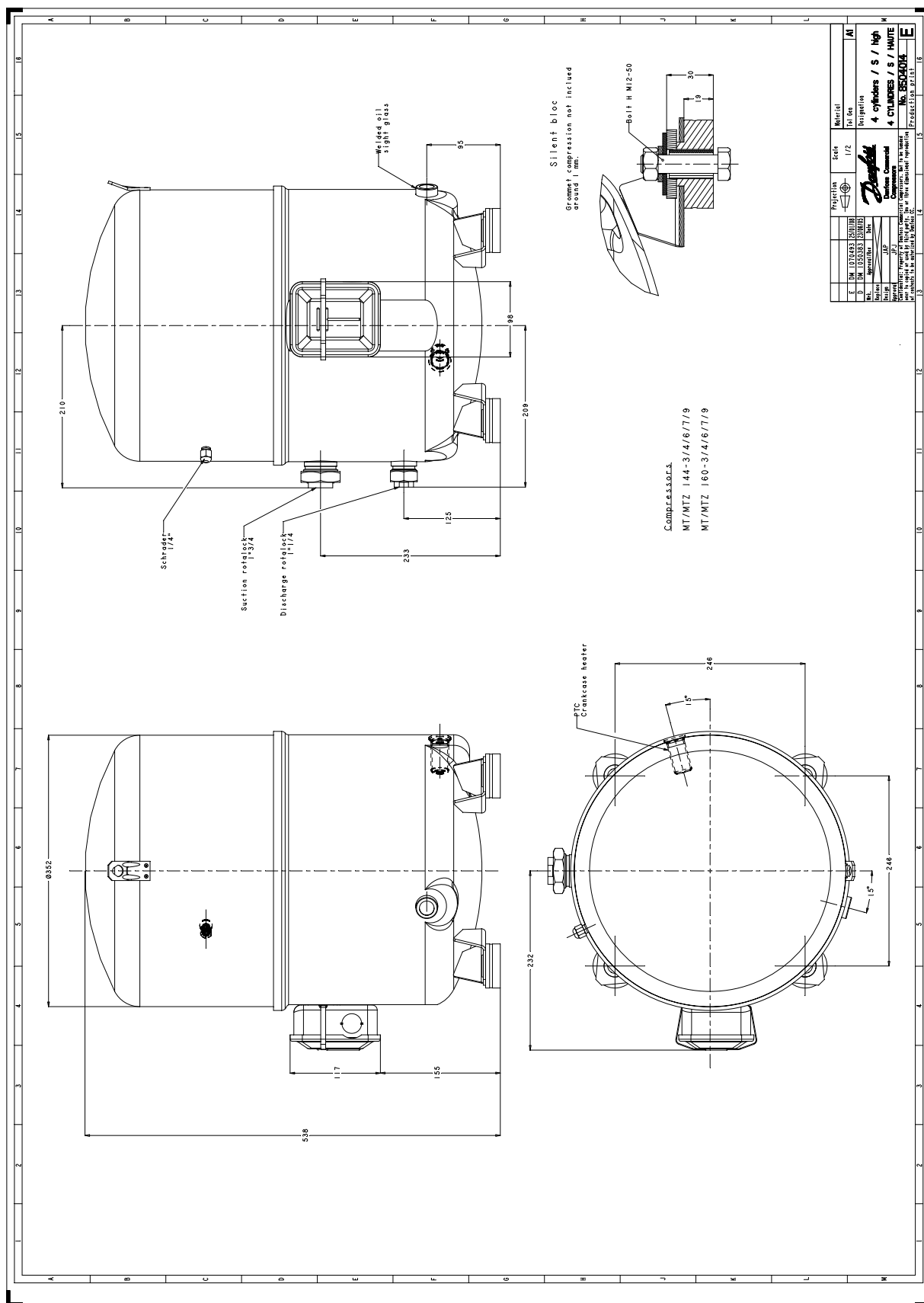
to: Evaporating temperature at dew point

tc: Condensing temperature at dew point

Rating conditions : Superheat = 11.1 K , Subcooling = 8.3 K

All performance data +/- 5%

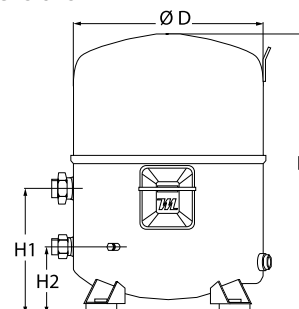
Danfoss can accept no responsibility for possible errors in catalogues, brochures and other printed material. Danfoss reserves the right to alter its products without notice. This also applies to products already on order provided that such alternations can be made without subsequential changes being necessary in specifications already agreed. All trademarks in this material are property of the respective companies. Danfoss, the Danfoss logotype and Maneurop are trademarks of Danfoss A/S. All rights reserved.



Danfoss can accept no responsibility for possible errors in catalogues, brochures and other printed material. Danfoss reserves the right to alter its products without notice. This also applies to products already on order provided that such alternations can be made without subsequential changes being necessary in specifications already agreed. All trademarks in this material are property of the respective companies. Danfoss, the Danfoss logotype and Maneurop are trademarks of Danfoss A/S. All rights reserved.

**General Characteristics**

Model number (on compressor nameplate)		<b>MT144HV4VE</b>
Code number for Singlepack*		MT144-4VI
Code number for Industrial pack**		MT144-4VM
Drawing number		8504011e
Suction and discharge connections		Rotolock
Suction connection		1-3/4" Rotolock
Discharge connection		1-1/4" Rotolock
Suction connection with supplied sleeve		1-1/8" ODF
Discharge connection with supplied sleeve		3/4" ODF
Oil sight glass		Threaded
Oil equalisation connection		3/8" flare SAE
Oil drain connection		None
LP gauge port		Schrader
IPR valve		30 bar / 8 bar
Cylinders		4
Swept volume		241,87 cm <sup>3</sup> /rev
Displacement @ Nominal speed		42.1 m <sup>3</sup> /h @ 2900 rpm - 50.8 m <sup>3</sup> /h @ 3500 rpm
Net weight		67 kg
Oil charge		3,9 litre, Mineral - 160P
Maximum system test pressure Low Side / High side		25 bar(g) / 30 bar(g)
Maximum differential test pressure		30 bar
Maximum number of starts per hour		12
Refrigerant charge limit		10 kg
Approved refrigerants		R22, R417A-160PZ

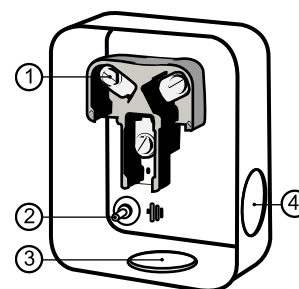
**Dimensions**


D=352 mm

H=540 mm

H1=233 mm

H2=125 mm

**Terminal box**


IP54 (with cable gland)

1: Screw connectors 10-32 UNF x 9.5

2: Earth M4-12

3: Knock-out Ø 29 mm (1.14")

4: Knock-out Ø 25.5 mm (1.00")

**Electrical Characteristics**

Nominal voltage	380-400V/3/50Hz - 460V/3/60Hz
Voltage range	340-440 V @ 50Hz - 414-506 V @ 60Hz
Winding resistance (between phases) +/- 7% at 25°C	1.19 Ω
Maximum Continuous Current (MCC)	30 A
Locked Rotor Amps (LRA)	115 A
Motor protection	Internal overload protector

**Recommended Installation torques**

Oil sight glass	50 Nm
Power connections / Earth connection	3 Nm / 2 Nm
Mounting bolts	50 Nm

**Parts shipped with compressor**

Mounting kit with grommets, bolts, nuts, sleeves and washers
Suction & Discharge solder sleeves, rotolock nuts and gaskets (shipped with rotolock version only)
Initial oil charge
Installation instructions

**Approvals** : CE certified, UL certified (file SA6873), -

\*Singlepack: Compressor in cardboard box

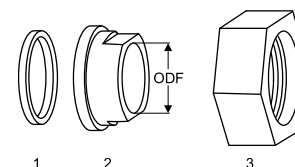
\*\*Industrial pack: 6 Unboxed compressors on pallet (order per multiples of 6)

**Rotolock accessories, suction side**

**Code no.**

Solder sleeve, P02 (1-3/4" Rotolock, 1-1/8" ODF)	8153004
Angle adapter, C02 (1-3/4" Rotolock, 1-1/8" ODF)	8168005
Rotolock valve, V02 (1-3/4" Rotolock, 1-1/8" ODF)	8168028
Gasket, 1-3/4"	8156132

**Gaskets, sleeves and nuts**



- 1: Gasket
- 2: Solder sleeve
- 3: Rotolock nut

**Rotolock accessories, discharge side**

**Code no.**

Solder sleeve, P04 (1-1/4" Rotolock, 3/4" ODF)	8153008
Angle adapter, C04 (1-1/4" Rotolock, 3/4" ODF)	8168006
Rotolock valve, V04 (1-1/4" Rotolock, 3/4" ODF)	8168029
Gasket, 1-1/4"	8156131

**Rotolock accessories, sets**

**Code no.**

Angle adapter set, C02 (1-3/4"~1-1/8"), C04 (1-1/4"~3/4")	7703014
Valve set, V02 (1-3/4"~1-1/8"), V04 (1-1/4"~3/4")	7703009
Gasket set, 1", 1-1/4", 1-3/4", OSG gaskets black & white	8156009

**Oil / lubricants**

**Code no.**

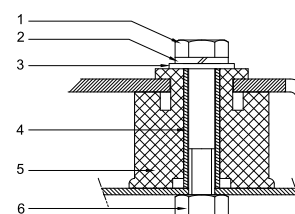
Mineral oil, 160P, 2 litre can	7754001
Mineral oil, 160P, 5 litre can	7754002

**Crankcase heaters**

**Code no.**

PTC heater 27W	120Z0459
Belt type crankcase heater, 75 W, 230 V, CE mark, UL	7773108
Belt type crankcase heater, 75 W, 400 V, CE mark, UL	7773118
Belt type crankcase heater, 75 W, 460 V, CE mark, UL	120Z0464

**Mounting kit**



- 1: Bolt (4x)
- 2: Lock washer (4x)
- 3: Flat washer (4x)
- 4: Sleeve (4x)
- 5: Grommet (4x)
- 6: Nut (4x)

**Miscellaneous accessories**

**Code no.**

Electronic soft start kit, MCI 25 C	7705007
Soft start kit with statoric resistors, prewired box, SCR03	7705001
Acoustic hood for 4 cylinder compressor	7755003
Oil equalisation nut	8153127

**Spare parts**

**Code no.**

Mounting kit for 4 cylinder compressor & MS, including 4 grommets, 4 bolts	8156007
Oil sight glass with gaskets (black & white)	8156019
Gasket for oil sight glass (black chloroprene)	8156145
Service kit for terminal box 96 x 115 mm, including 1 cover, 1 clamp, 1 T block connector 52 x 57 mm	8156135
T block connector 52 x 57 mm	8173230

Danfoss can accept no responsibility for possible errors in catalogues, brochures and other printed material. Danfoss reserves the right to alter its products without notice. This also applies to products already on order provided that such alternations can be made without subsequential changes being necessary in specifications already agreed. All trademarks in this material are property of the respective companies. Danfoss, the Danfoss logotype and Maneurop are trademarks of Danfoss A/S. All rights reserved.



**Performance data at 50 Hz, EN 12900 rating conditions**
**R22**

Cond. temp. in °C (tc)	Evaporating temperature in °C (to)							
	-25	-20	-15	-10	-5	0	5	10

**Cooling capacity in W**

30	10 162	13 430	17 401	22 169	27 829	34 475	42 204	51 109	61 287
35	9 063	12 191	15 979	20 520	25 909	32 242	39 611	48 114	57 844
40	8 060	11 022	14 600	18 889	23 982	29 975	36 961	45 035	54 292
45	7 159	9 926	13 266	17 273	22 041	27 664	34 235	41 850	50 602
50	-	8 927	12 005	15 706	20 124	25 352	31 486	38 618	46 842
55	-	-	10 819	14 187	18 228	23 035	28 702	35 323	42 990
60	-	-	-	12 726	16 363	20 720	25 892	31 971	39 051
65	-	-	-	-	14 560	18 445	23 098	28 613	35 081

**Power input in W**

30	5 449	6 085	6 687	7 231	7 695	8 054	8 286	8 366	8 272
35	5 732	6 406	7 058	7 664	8 200	8 645	8 974	9 164	9 191
40	5 972	6 692	7 402	8 077	8 696	9 234	9 669	9 976	10 133
45	6 162	6 936	7 712	8 465	9 174	9 814	10 362	10 795	11 089
50	-	7 131	7 981	8 821	9 627	10 377	11 047	11 614	12 054
55	-	-	8 202	9 136	10 049	10 917	11 717	12 426	13 020
60	-	-	-	9 404	10 432	11 426	12 365	13 223	13 979
65	-	-	-	-	10 768	11 897	12 982	13 999	14 926

**Current consumption in A**

30	13.09	13.88	14.65	15.38	16.01	16.50	16.82	16.93	16.77
35	13.48	14.30	15.13	15.95	16.69	17.33	17.82	18.12	18.20
40	13.79	14.67	15.59	16.51	17.39	18.20	18.88	19.40	19.73
45	14.03	14.98	16.00	17.06	18.10	19.09	19.99	20.75	21.35
50	-	15.23	16.38	17.58	18.80	20.00	21.14	22.16	23.05
55	-	-	16.69	18.07	19.50	20.93	22.32	23.63	24.82
60	-	-	-	18.52	20.17	21.85	23.52	25.14	26.67
65	-	-	-	-	20.82	22.77	24.74	26.68	28.57

**Mass flow in kg/h**

30	222	290	371	465	576	704	851	1 020	1 212
35	205	273	353	447	557	684	831	998	1 188
40	190	257	336	429	537	662	807	972	1 160
45	177	242	319	409	515	638	779	942	1 126
50	-	228	302	389	492	611	749	907	1 088
55	-	-	287	370	468	583	716	870	1 045
60	-	-	-	350	443	553	681	829	998
65	-	-	-	-	418	522	643	785	948

**Coefficient of performance (C.O.P.)**

30	1.86	2.21	2.60	3.07	3.62	4.28	5.09	6.11	7.41
35	1.58	1.90	2.26	2.68	3.16	3.73	4.41	5.25	6.29
40	1.35	1.65	1.97	2.34	2.76	3.25	3.82	4.51	5.36
45	1.16	1.43	1.72	2.04	2.40	2.82	3.30	3.88	4.56
50	-	1.25	1.50	1.78	2.09	2.44	2.85	3.33	3.89
55	-	-	1.32	1.55	1.81	2.11	2.45	2.84	3.30
60	-	-	-	1.35	1.57	1.81	2.09	2.42	2.79
65	-	-	-	-	1.35	1.55	1.78	2.04	2.35

**Nominal performance at to = 5 °C, tc = 50 °C**

Cooling capacity	31 486	W
Power input	11 047	W
Current consumption	21.14	A
Mass flow	749	kg/h
C.O.P.	2.85	

**Pressure switch settings**

Maximum HP switch setting	27.7	bar(g)
Minimum LP switch setting	0.2	bar(g)
LP pump down setting	0.9	bar(g)

**Sound power data**

Sound power level	0	dB(A)
With acoustic hood	0	dB(A)

to: Evaporating temperature at dew point

tc: Condensing temperature at dew point

Rating conditions : Superheat = 10 K , Subcooling = 0 K

All performance data +/- 5%

Danfoss can accept no responsibility for possible errors in catalogues, brochures and other printed material. Danfoss reserves the right to alter its products without notice. This also applies to products already on order provided that such alternations can be made without subsequential changes being necessary in specifications already agreed. All trademarks in this material are property of the respective companies. Danfoss, the Danfoss logotype and Maneurop are trademarks of Danfoss A/S. All rights reserved.

**Performance data at 50 Hz, ARI rating conditions**
**R22**

Cond. temp. in °C (tc)	Evaporating temperature in °C (to)							
	-25	-20	-15	-10	-5	0	5	10

**Cooling capacity in W**

30	10 790	14 249	18 448	23 485	29 460	36 470	44 615	53 994	64 706
35	9 659	12 982	17 000	21 814	27 521	34 221	42 013	50 994	61 265
40	8 624	11 780	15 590	20 151	25 563	31 924	39 333	47 889	57 690
45	7 697	10 660	14 232	18 513	23 600	29 593	36 591	44 692	53 995
50	-	9 635	12 941	16 912	21 646	27 243	33 801	41 418	50 195
55	-	-	11 731	15 363	19 716	24 888	30 977	38 083	46 304
60	-	-	-	13 882	17 824	22 542	28 134	34 700	42 337
65	-	-	-	-	15 986	20 221	25 287	31 283	38 308

**Power input in W**

30	5 449	6 085	6 687	7 231	7 695	8 054	8 286	8 366	8 272
35	5 732	6 406	7 058	7 664	8 200	8 645	8 974	9 164	9 191
40	5 972	6 692	7 402	8 077	8 696	9 234	9 669	9 976	10 133
45	6 162	6 936	7 712	8 465	9 174	9 814	10 362	10 795	11 089
50	-	7 131	7 981	8 821	9 627	10 377	11 047	11 614	12 054
55	-	-	8 202	9 136	10 049	10 917	11 717	12 426	13 020
60	-	-	-	9 404	10 432	11 426	12 365	13 223	13 979
65	-	-	-	-	10 768	11 897	12 982	13 999	14 926

**Current consumption in A**

30	13.09	13.88	14.65	15.38	16.01	16.50	16.82	16.93	16.77
35	13.48	14.30	15.13	15.95	16.69	17.33	17.82	18.12	18.20
40	13.79	14.67	15.59	16.51	17.39	18.20	18.88	19.40	19.73
45	14.03	14.98	16.00	17.06	18.10	19.09	19.99	20.75	21.35
50	-	15.23	16.38	17.58	18.80	20.00	21.14	22.16	23.05
55	-	-	16.69	18.07	19.50	20.93	22.32	23.63	24.82
60	-	-	-	18.52	20.17	21.85	23.52	25.14	26.67
65	-	-	-	-	20.82	22.77	24.74	26.68	28.57

**Mass flow in kg/h**

30	221	289	369	463	573	700	847	1 014	1 205
35	204	272	351	445	554	681	826	993	1 182
40	189	256	334	426	534	659	802	967	1 153
45	176	241	317	407	512	634	775	936	1 120
50	-	227	301	387	489	608	745	902	1 082
55	-	-	285	368	465	580	712	865	1 039
60	-	-	-	348	441	550	677	824	993
65	-	-	-	-	416	519	640	780	942

**Coefficient of performance (C.O.P.)**

30	1.98	2.34	2.76	3.25	3.83	4.53	5.38	6.45	7.82
35	1.69	2.03	2.41	2.85	3.36	3.96	4.68	5.56	6.67
40	1.44	1.76	2.11	2.49	2.94	3.46	4.07	4.80	5.69
45	1.25	1.54	1.85	2.19	2.57	3.02	3.53	4.14	4.87
50	-	1.35	1.62	1.92	2.25	2.63	3.06	3.57	4.16
55	-	-	1.43	1.68	1.96	2.28	2.64	3.06	3.56
60	-	-	-	1.48	1.71	1.97	2.28	2.62	3.03
65	-	-	-	-	1.48	1.70	1.95	2.23	2.57

**Nominal performance at to = 7.2 °C, tc = 54.4 °C**

Cooling capacity	34 340	W
Power input	11 955	W
Current consumption	22.75	A
Mass flow	781	kg/h
C.O.P.	2.87	

**Pressure switch settings**

Maximum HP switch setting	27.7	bar(g)
Minimum LP switch setting	0.2	bar(g)
LP pump down setting	0.9	bar(g)

**Sound power data**

Sound power level	0	dB(A)
With acoustic hood	0	dB(A)

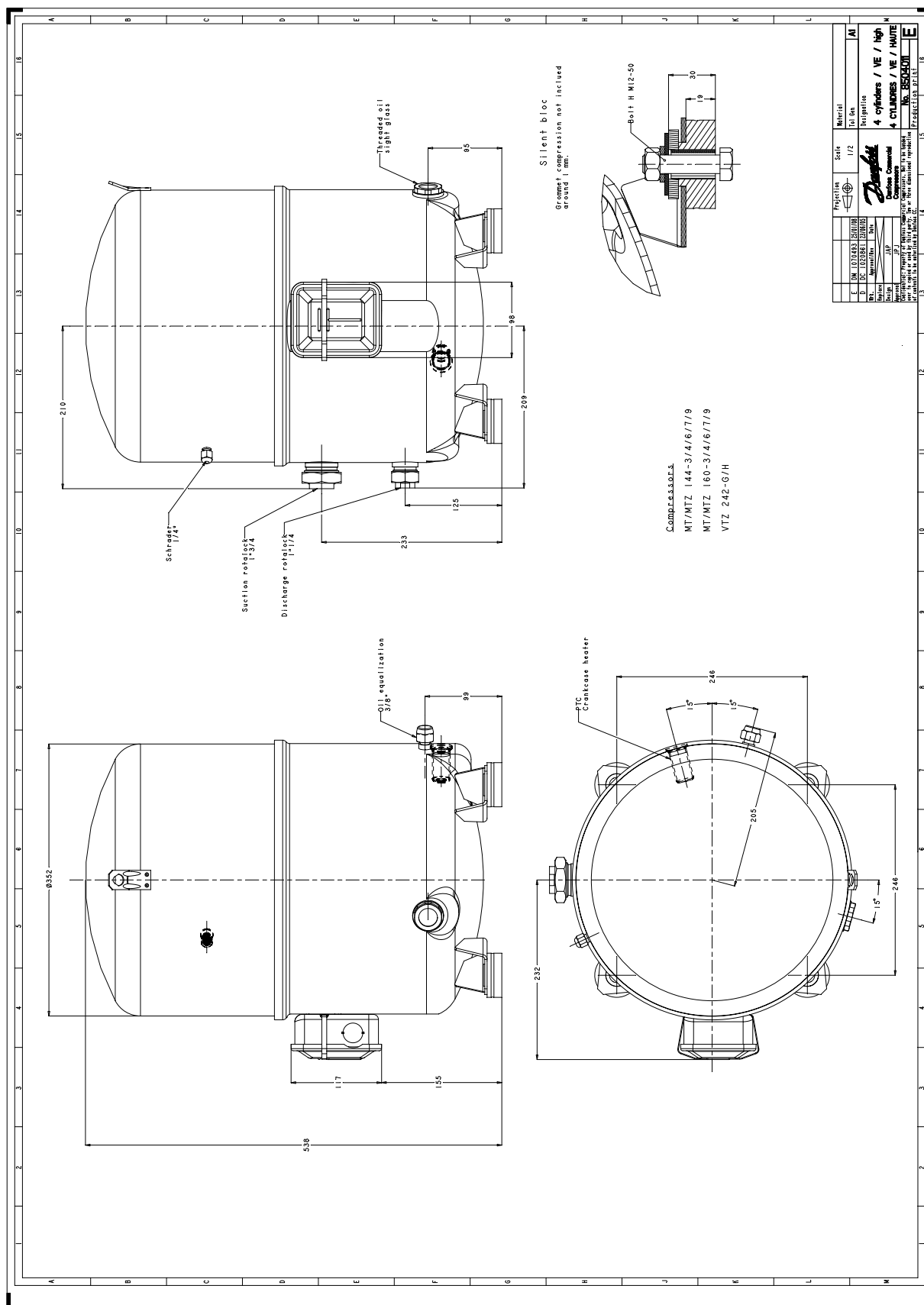
to: Evaporating temperature at dew point

tc: Condensing temperature at dew point

Rating conditions : Superheat = 11.1 K , Subcooling = 8.3 K

All performance data +/- 5%

Danfoss can accept no responsibility for possible errors in catalogues, brochures and other printed material. Danfoss reserves the right to alter its products without notice. This also applies to products already on order provided that such alternations can be made without subsequential changes being necessary in specifications already agreed. All trademarks in this material are property of the respective companies. Danfoss, the Danfoss logotype and Maneurop are trademarks of Danfoss A/S. All rights reserved.



Danfoss can accept no responsibility for possible errors in catalogues, brochures and other printed material. Danfoss reserves the right to alter its products without notice. This also applies to products already on order provided that such alternations can be made without subsequential changes being necessary in specifications already agreed. All trademarks in this material are property of the respective companies. Danfoss, the Danfoss logotype and Maneurop are trademarks of Danfoss A/S. All rights reserved.