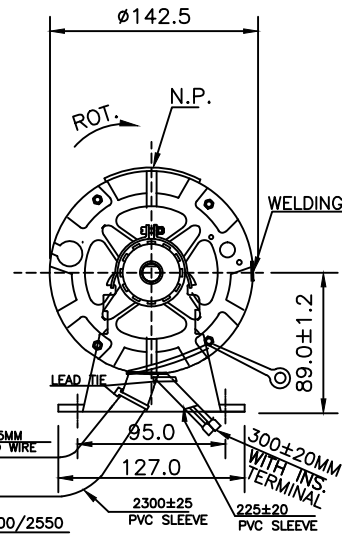
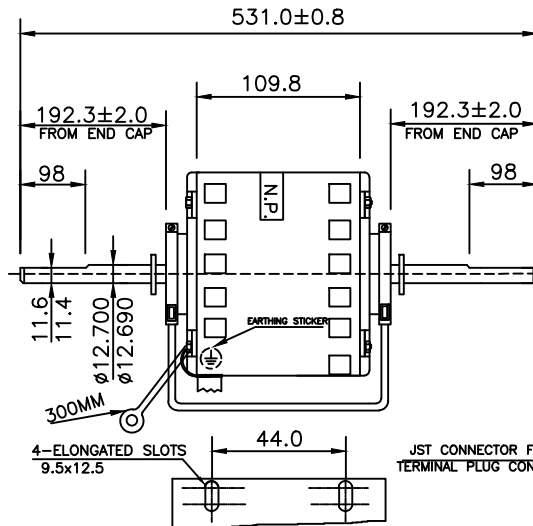


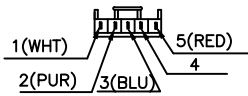
REV. No.	DATE	DRN. BY	CHKD. BY	APPD. BY
A	28.07.17	MANOJ	RUPAM	RDS

REV.A- NEW FLD RELEASE



JST CONNECTOR FEM HOUSING VHR-5N 51203551800
 TERMINAL PLUG CONTACT SVH-21T-P1.1 51203551900

TERMINAL WITH INSULATED(BLK) LEAD



DETAILS 'X'

ALL DIMENSIONS HAVING NO TOLERANCE ARE FOR REF. ONLY
 ALL DIMENSIONS IN MM
 MOTOR OUTLINE(NOT TO SCALE)

REF - SM16-372	SCHEMATIC CONN. DIAGRAM
THERMALLY PROTECTED CL B INS CAO RTG 5KCP39KGDD481S ROT ← CAP. 15.0/400V HP 1/3 RPM. 1320/1250/1150/1000 V 230 HZ 50 PH 1 A 2.2 MADE IN INDIA CPN-888483	WHITE COM BROWN BLK HI PUR MED BLUE MED LQ RED LO LINE

DRAWING REVISION	REVISION BY	DATE
ECO	APPROVED BY	DATE
ECO- ECO DESCRIPTION		
<small> COPYRIGHT REGAL BELOIT AMERICA, INC. ALL RIGHTS RESERVED. PROPRIETARY AND CONFIDENTIAL INFORMATION - THIS DOCUMENT IS THE PROPERTY OF REGAL BELOIT AMERICA, INC. ("OWNER") AND CONTAINS OWNER'S PROPRIETARY INFORMATION. ANY PERSON, CORPORATION OR OTHER FIRM RECEIVING IT IS DEMAND, BY RECEIVING IT, TO AGREE THAT IT, AND/OR ANY PART OF IT, SHALL NOT BE DISCLOSED TO ANY PERSON, CORPORATION OR OTHER ENTITY, DUPLICATED, AND/OR USED, EXCEPT AS EXPRESSLY APPROVED IN WRITING IN ADVANCE BY OWNER. THIS DOCUMENT SHALL BE RETURNED TO OWNER UPON REQUEST. IT MAY BE SUBJECT TO CERTAIN RESTRICTIONS UNDER APPLICABLE EXPORT CONTROL LAWS AND REGULATIONS. </small>		

TOLERANCES UNLESS OTHERWISE SPECIFIED
DEC. DIM. ANGLE
X ±2.5 (±0.10) ±0.5°
.XX ±0.50 (±0.020)
.XXX ±0.130 (±0.0051)
.XXXX ±0.0130 (±0.00051)
REMOVE BURRS & BREAK SHARP EDGES .08, .38 (1.003, .015)
CORNER FILLETS .50 (1.020)
MACHINED SURFACES INCH 125 mm 32
INCH SHOWN IN [BRACKETS]

DRAWN BY:	REGAL™ Regal Beloit America, Inc.
DATE:	DESCRIPTION: OUTLINE
APPROVED BY:	MATERIAL: _____ PROCESS/FINISH: _____
DATE:	SIZE DWG NO: B 5KCP39KGDD481S SHEET 1
REFERENCE:	THIRD ANGLE PROJECTION