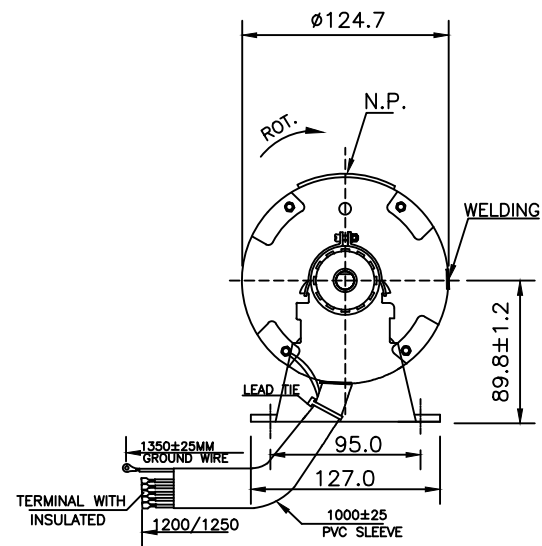
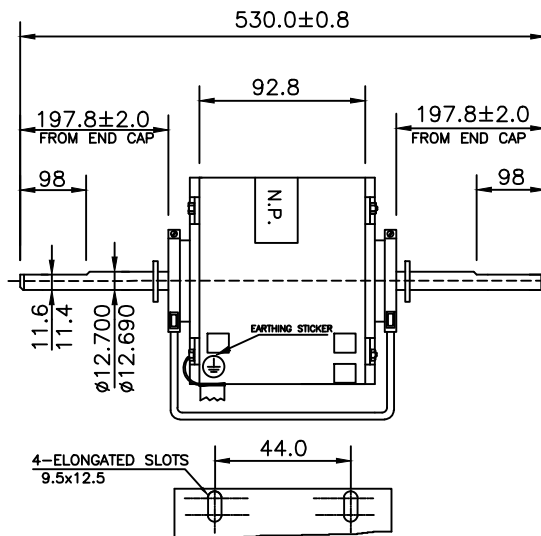


REV. No.	DATE	DRN. BY	CHKD. BY	APPD. BY
A	28.07.17	MANOJ	RUPAM	RDS

REV.A- NEW FLD RELEASE



ALL DIMENSIONS HAVING NO TOLERANCE ARE FOR REF. ONLY  
ALL DIMENSIONS IN MM  
MOTOR OUTLINE(NOT TO SCALE)

REF:SM16-354

SCHEMATIC CONN. DIAGRAM

DRAWING REVISION

REVISION BY

DATE

TOLERANCES UNLESS OTHERWISE SPECIFIED

DEC.	mm	INCH	ANGLE
.X	±2.5	[±0.10]	±0.5°
.XX	±0.50	[±0.020]	
.XXX	±0.130	[±0.0051]	
.XXXX	±0.0130	[±0.00051]	
REMOVE BURRS & BREAK SHARP EDGES .08/.38 [.003/.015]			
CORNER FILLETS .50 [.020]			
MACHINED SURFACES $\frac{125}{\sqrt{mm}} \frac{32}{\sqrt{INCH}}$			
INCH SHOWN IN [BRACKETS]			

DRAWN BY:

DATE:

APPROVED BY:

DATE:

REFERENCE

THIRD ANGLE PROJECTION

Regal Beloit America, Inc.	
DESCRIPTION	OUTLINE
MATERIAL	PROCESS/FINISH
SIZE DWG NO	5KCP29EGE898S
SHEET	1

NAME PLATE DATA THERMALLY PROTECTED CL B INS CAO RTG 5KCP29EGE898S ROT ← CAP. 4.0/400V HP1/8 RPM. 1360/1200/1000 V 230 HZ 50 PH 1 A 0.9 MADE IN INDIA CPN-888520	WHITE CAP. BROWN ⊕	
	BLK HI	
	BLUE MED	
	RED LO	
	LINE	

PROPRIETARY AND CONFIDENTIAL INFORMATION - THIS DOCUMENT IS THE PROPERTY OF REGAL BELOIT AMERICA, INC. ("OWNER") AND CONTAINS OWNER'S PROPRIETARY INFORMATION. ANY PERSON, CORPORATION OR OTHER FIRM RECEIVING IT IS DEEMED BY RECEIVING IT TO AGREE THAT IT, AND/OR ANY PART OF IT, SHALL NOT BE DISCLOSED TO ANY PERSON, CORPORATION OR OTHER ENTITY, DUPLICATED, AND/OR USED, EXCEPT AS EXPRESSLY APPROVED IN WRITING IN ADVANCE BY OWNER. THIS DOCUMENT SHALL BE RETURNED TO OWNER UPON REQUEST. IT MAY BE SUBJECT TO CERTAIN RESTRICTIONS UNDER APPLICABLE EXPORT CONTROL LAWS AND REGULATIONS.