

4

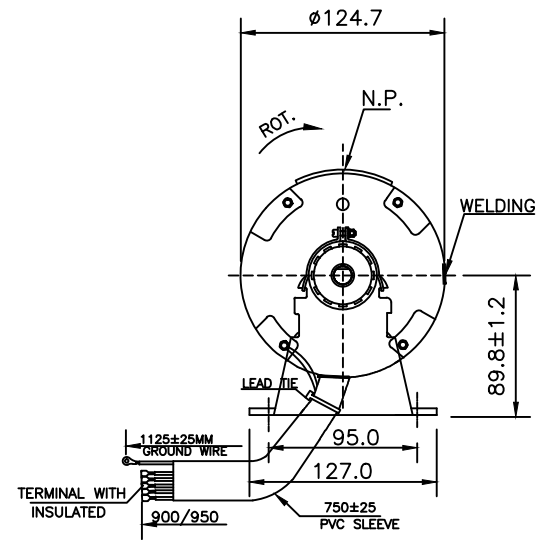
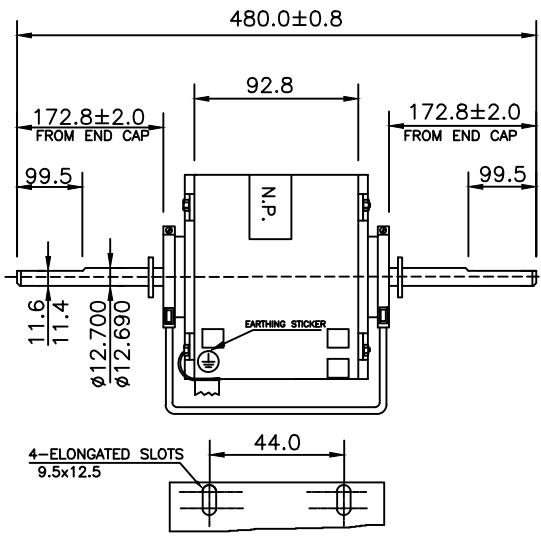
3

2

1

REV. No.	DATE	DRN. BY	CHKD. BY	APPD. BY
A	28.07.17	MANOJ	RUPAM	RDS

REV.A- NEW FLD RELEASE



ALL DIMENSIONS HAVING NO TOLERANCE ARE FOR REF. ONLY  
ALL DIMENSIONS IN MM  
MOTOR OUTLINE(NOT TO SCALE)

REF:SM16-351

SCHEMATIC CONV. DIAGRAM

DRAWING REVISION

REVISION BY

DATE

TOLERANCES UNLESS OTHERWISE SPECIFIED

DEC.	MM	INCH	ANGLE
X	±2.5	(±0.10)	±0.5°
.XX	±0.50	(±0.020)	
.XXX	±0.130	(±0.0051)	
.XXXX	±0.0130	(±0.00051)	
REMOVE BURRS & BREAK SHARP EDGES .08/.38 (.003/.015)			
CORNER FILLETS .50 (.020)			
MACHINED SURFACES			
INCH SHOWN IN [BRACKETS]			

DRAWN BY:

DATE:

APPROVED BY:

DATE:

REFERENCE

THIRD ANGLE PROJECTION

REGAL™ Regal Beloit America, Inc.

DESCRIPTION  
OUTLINE

MATERIAL PROCESS/FINISH

SIZE DWG NO  
B 5KCP29CGE897S

SHEET  
1

NAME PLATE DATA

**genteq** THERMALLY PROTECTED  
CL B INS CAO MTG

5KCP29CGE897S ROT ← CAP. 3.0/400V

HP1/20 RPM. 1060/850/750

V 230 HZ 50 PH 1 A 0.76

MADE IN INDIA CPN-888556

WHITE CAP.  
BROWN  
BLK HI  
BLUE MED  
RED LO

CSA 90

LINE

APPROVED BY

DATE

ECO DESCRIPTION

ECO

ECO-

ECO DESCRIPTION

COPYRIGHT REGAL BELOIT AMERICA, INC. ALL RIGHTS RESERVED. PROPRIETARY AND CONFIDENTIAL INFORMATION - THIS DOCUMENT IS THE PROPERTY OF REGAL BELOIT AMERICA, INC. (OWNER) AND CONTAINS OWNER'S PROPRIETARY INFORMATION. ANY PERSON, CORPORATION OR OTHER FIRM RECEIVING IT IS DEEMED, BY RECEIVING IT, TO AGREE THAT IT, AND/OR ANY PART OF IT, SHALL NOT BE DISCLOSED TO ANY PERSON, CORPORATION OR OTHER ENTITY, DUPLICATED, AND/OR USED, EXCEPT AS EXPRESSLY APPROVED IN WRITING IN ADVANCE BY OWNER. THIS DOCUMENT SHALL BE RETURNED TO OWNER UPON REQUEST. IT MAY BE SUBJECT TO CERTAIN RESTRICTIONS UNDER APPLICABLE EXPORT CONTROL LAWS AND REGULATIONS.

4

3

2

1