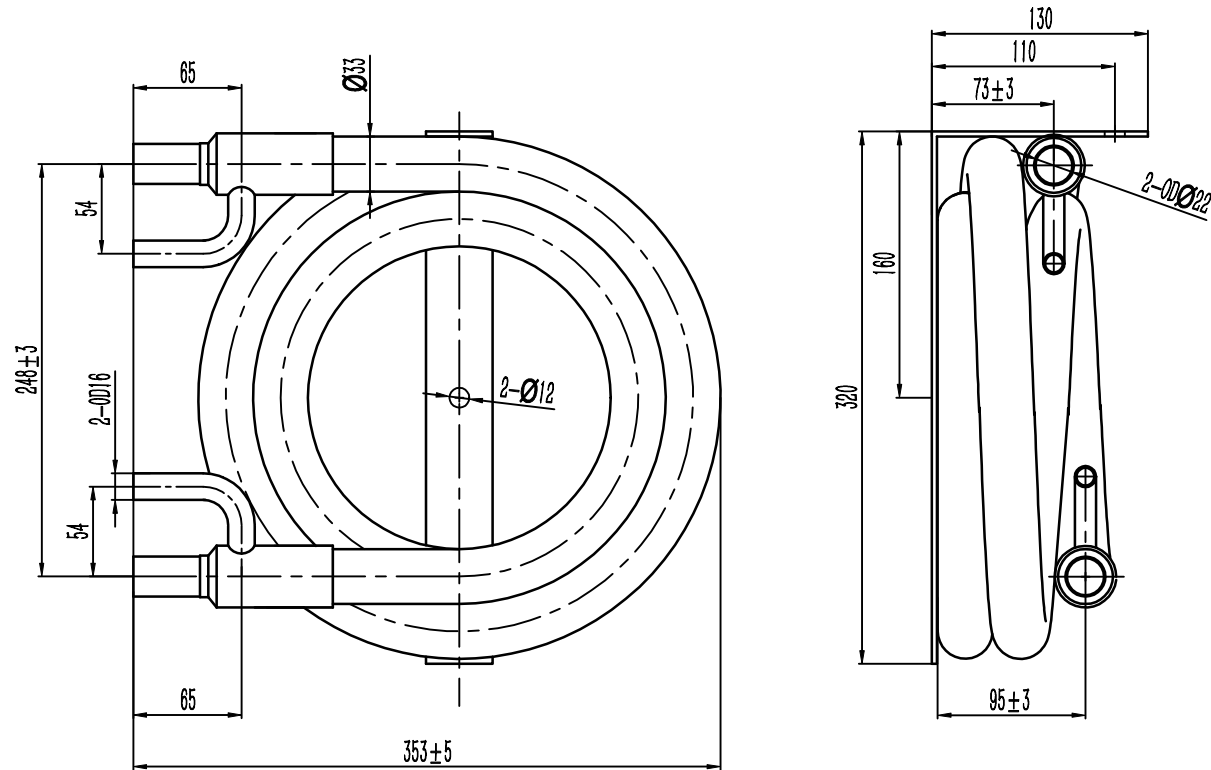


Tolerance Class	Basic Size Range (mm)							
	0.5~3	>3~6	>6~30	>30~120	>120~400	>400~1000	>1000~2000	>2000~4000
Very Coarse	-	±0.5	±1	±1.5	±2.5	±4	±6	±8



Technical Specifications

1. Inner tube and outer tube should be cleaned so that ensure the surface of the inner and outer tube to be clean without impurities,
2. All welded place should be well welded, Any defect on small holes and leaks is unacceptable,
3. Heat exchanger is black painted except 25±5mm cylinder from connections end,
4. Each end connection should be sealed by a plastic cap or welding,
5. Fill 0.05-0.12Mpa nitrogen gas at refrigerant side, the pressure is maintained,
6. Any non-indicated dimensions and tolerances are subject to GB/T1804 V degree,
7. Other non-indicated requirements are subject to 《 GB/T 25862-2010 》.

Design Data Sheet										Coaxial Heat Exchanger			HANGZHOU SHENSHI ENERGY CONSERVATION TECHNOLOGY CO.,LTD	
Item	Tube Side	Shell Side								Inner tube: Copper			SS-0300GT-P	
Medium	Water	R410A/R22								Outer tube: Steel				
Design Temp/°C	65	100	Mark	No.	Modify Documents No.	Sign	Date							
Design Pressure/MPa	1.5	4.2	Design			Standard				Drawing Mark	Weight	Scale		
Insulation			Check			Authorize						1:4		
Customer Drawing No.			Approve											
Customer Item No.			Process			Date				Total Page	Page			CSSP3003100