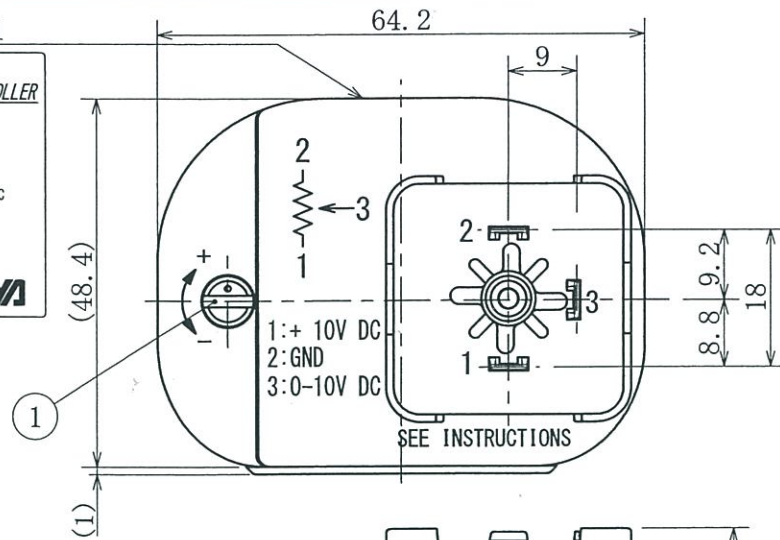
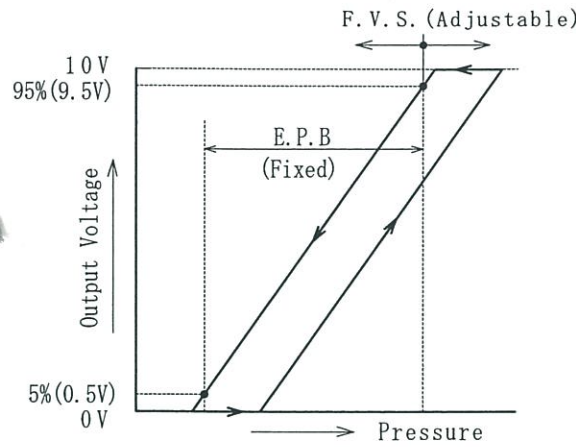


**Label**  
**CONDENSER**  
**EC FAN SPEED CONTROLLER**  
 TYPE : XGE-4SE  
 LOT No. : 2017  
 Supply voltage : 10VDC  
 Output voltage : 0-10VDC  
 Setting : 19bar  
 RANGE : 10 to 25bar  
 [145 to 362Psi]  
**SAGINOMIYA**

Example: XGE-4SE



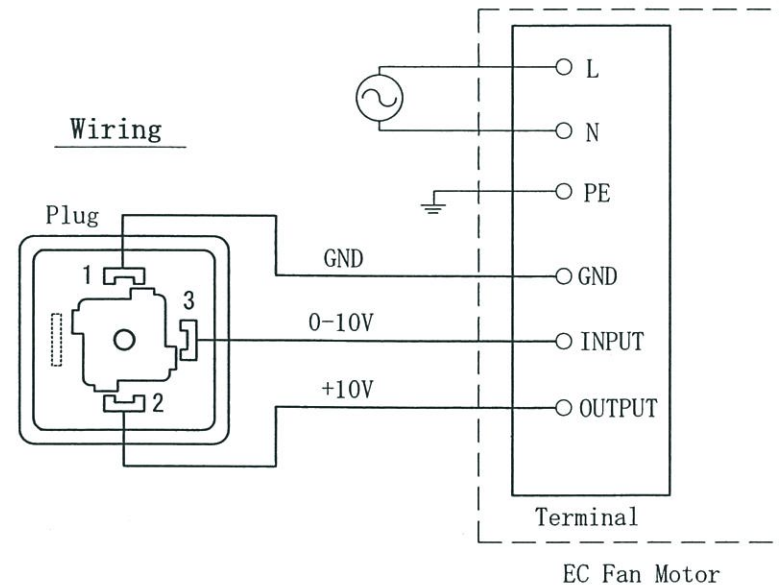
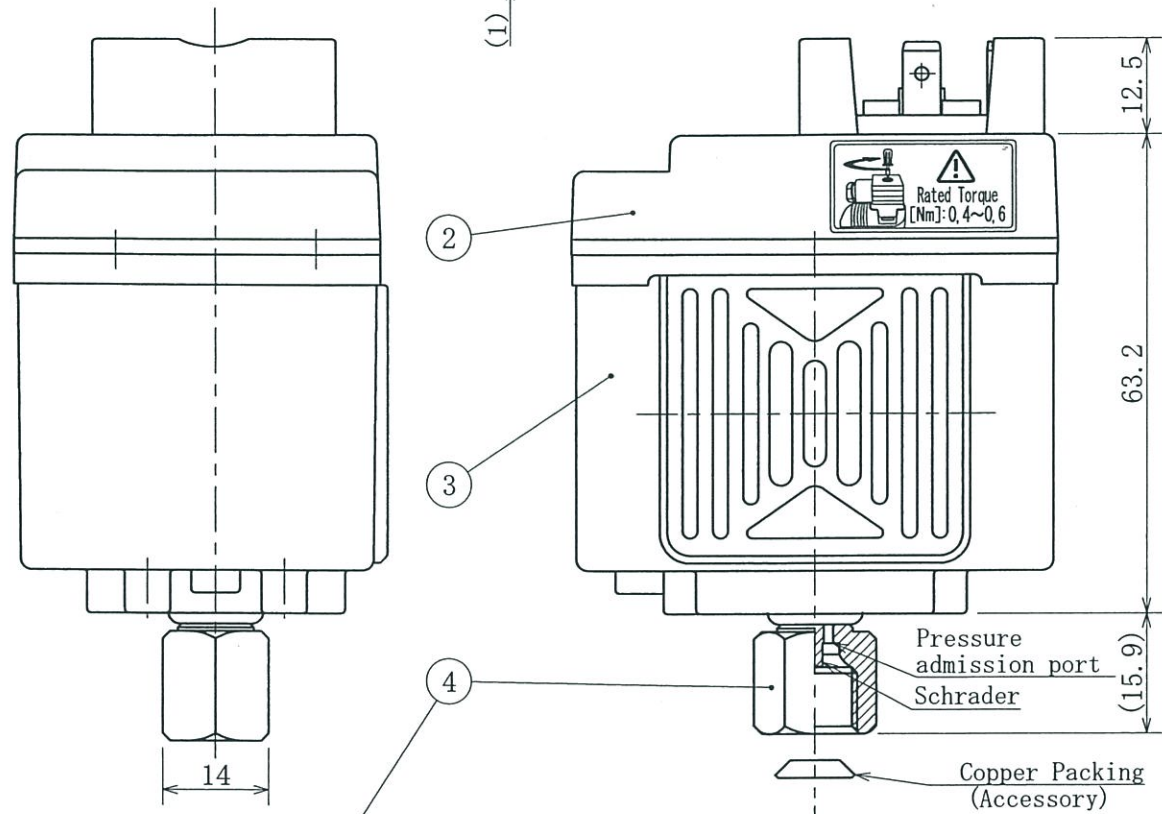
**Operation characteristic**



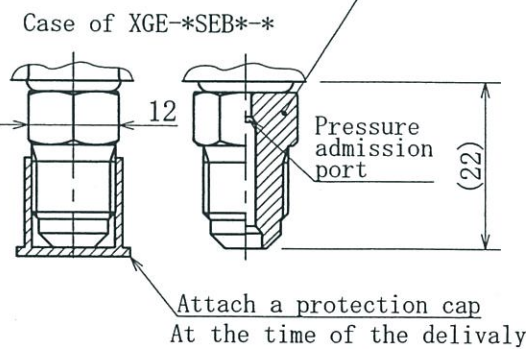
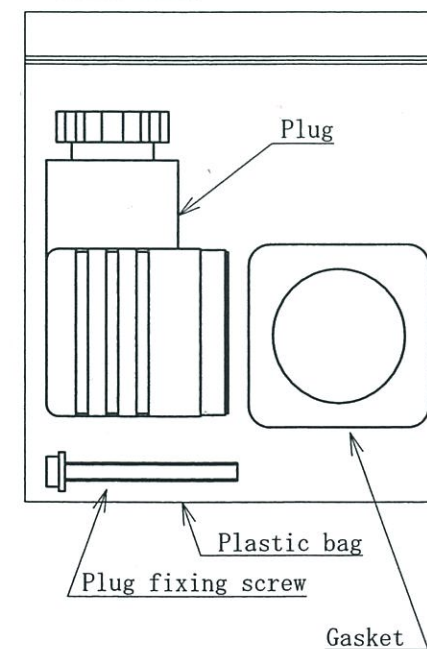
**F.V.S. : FULL VOLTAGE SET POINT**  
 Means the pressure at which the output voltage value outputs 95% of the supply voltage.

**E.P.B. : EFFECTIVE PROPORTIONAL BAND**  
 Means the difference between the two pressure values when the output voltage value outputs 5% and 95% of the supply voltage.

※The figure shown here is when the supply voltage is 10 VDC.  
 The output voltage value may change depending on the specification of the motor to be used.



**Accessories**



**Catalog Number Selection**

XGE-4SEBI-US

- Standard Acquisition application in progress
- US: UL Standard
- Package style: No symbol: Multi Pack, I: Industrial pack
- Pressure connections: No symbol: 7/16-20 UNF Female flare with Schrader, B: 7/16-20 UNF male flare
- EC Fan Model: Fixed
- Factory Set F.V.S. Setting: 2: 8bar [116Psi] (Refrigerant: R134a), 4: 19bar [276Psi] (Refrigerant: R22, R407C, R404A), 6: 28bar [406Psi] (Refrigerant: R410A)

No.	Parts name
①	Range adjusting screw
②	Cover
③	Case
④	7/16-20UNF Female flare with schrader or 7/16-20 UNF male flare

Catalog Number	XGE-2SE	XGE-4SE	XGE-6SE
Factory Set F.V.S. setting	8bar [116Psi]	19bar [276Psi]	28bar [406 Psi]
F.V.S. adjustable range	8 to 18bar [116 to 261Psi]	10 to 25bar [145 to 362Psi]	22 to 39bar [319 to 566Psi]
E.P.B. (Fixed)	Approx. 4.5bar [(65)Psi]	Approx. 6bar [(87)Psi]	Approx. 7bar [(101)Psi]
Supply voltage	10 [VDC] (Supply voltage from EC motor)		
Output voltage	0-10 [VDC]		
Operating current	max. 1mA		
Ratrd max. working press.	47bar [681Psi]		
Protection	IP65 (EN60529)		
Ambient temp.	-20 to 55°C [-4 to 131° F]		
Fluid temp.	-20 to 70°C [-4 to 158° F]		
Pressure connections	Female Flare with Schrader (7/16-20 UNF)		
Accessories	plug parts set (plug, Gasket, Screw) (DIN 43650-A Plug 2+1/2 PG9 (ISO 4400))		

**Notes**

- Pressure description is based on gauge pressure.
- We manufacture the product based on the specifications described in this submitting drawing. Please check the safety and validity in the product design in that consideration that the product is conformed to the system or not when using.
- Read all instructions thoroughly.
- For wiring, use the plug provided.
- Do not use other plug. It may lose waterproofing structure.

Approved by M.F.	Date FEB. 21, 2017.	Name Type XGE EC FAN SPEED CONTROLLER	
Designed by M.K.	Scale	Catalog Number XGE-*SE*-*	Drawing Number N-GE-
Drawn by S.I.	SAGINOMIYA SEISAKUSHO, INC.		

REFERENCE DRAWING