

CONDENSER FAN SPEED CONTROLLERS

Type XGE

SAGHOMIYA

GENERAL DESCRIPTION

- The most suitable for controlling the speed of a condenser fan of freezing and refrigeration condensing unit, package air conditioner and other units which are operated throughout a year.
- Keep condensing pressure constant in winter and intermediate seasons for stable operation.

CE mark applicable

SAF US listed (available upon request)



SPECIFICATIONS

- Control method: Phase control
- Max. working pressure: 4.7MPa
- Power supply: [Rated Voltage] 200 to 240V. AC ~ single phase [Frequency] 50/60Hz [Rated Amp.] 0.2 to 3A
- Pressure connection: 1/4" Female flare with Schrader (7/16-20 UNF)
- Enclosure: IP65

TYPE NUMBER SELECTION

Catalog No.	*1 F.V.S. Setting (MPa)		*2 E.P.B (MPa)	Refrigerants	Function	Ambient temp. (°C)	Fluid temp. (°C)	Wt. (kg)
	Factory Set	Adjusting Range						
		Min.	Max.					
XGE-4CC-7	1.9	1.0	2.5	0.6	R22, R407C, R404A	-20 to 55	-20 to 70	0.19
XGE-4MC-7								
XGE-6CC-7	2.8	2.2	3.9	0.7	R410A	-20 to 55	-20 to 70	0.19
XGE-6MC-7								

Cut off : Fan motor will be stopped when pressure decrease to the specific value(V%) for R.M.S.

Min. speed: Fan motor will be kept running at the specific value(V%) when pressure band increase

*1 F.V.S.: FULL VOLTAGE SET POINT

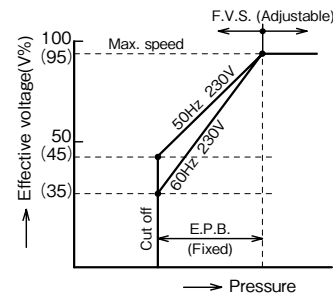
The pressure at which the control delivers 95% output effective voltage.

*2 E.P.B.: EFFECTIVE PROPORTIONAL BAND

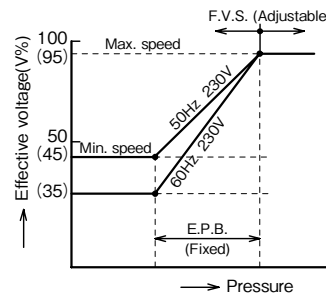
Pressure width where effective voltage corresponds to the min. speed or causes cut off operation.

OPERATION

XGE-4CC-7 and XGE-6CC-7 (Cut off type)

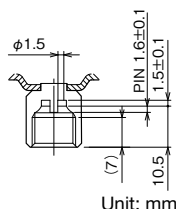
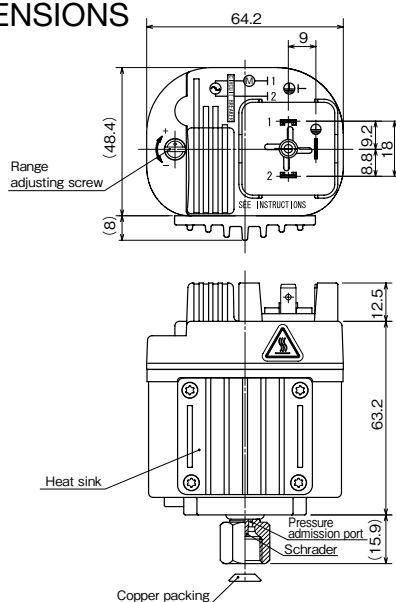


XGE-4MC-7 and XGE-6MC-7 (Min. speed type)



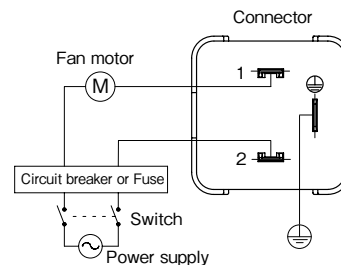
*The operating characteristic may vary according to the voltage, frequency, and fan motor characteristics.

DIMENSIONS



Unit: mm

WIRINGS



Supplied with a gasket. Cable exit in 4 directions possible.

ACCESSORIES (XGE-1 Plug parts set)

- Plug
- Gasket
- Plug fixing screw
- Plastic bag