

Movement by Perfection



The Royal League in **ventilation**, control and drive technology



[Product documentation](#)

Type  
FN035-4EK.0F.V7P2

Article number  
155883

## Product documentation

Customer

Project

Type  
FN035-4EK.0F.V7P2

Article number  
155883



### Contents

1.	Product specification	3
2.	Characteristic curve	4
3.	Drawing	9
4.	Connection diagram	11
5.	EU-Declaration of conformity	12

### 1. Product specification

#### Technical data

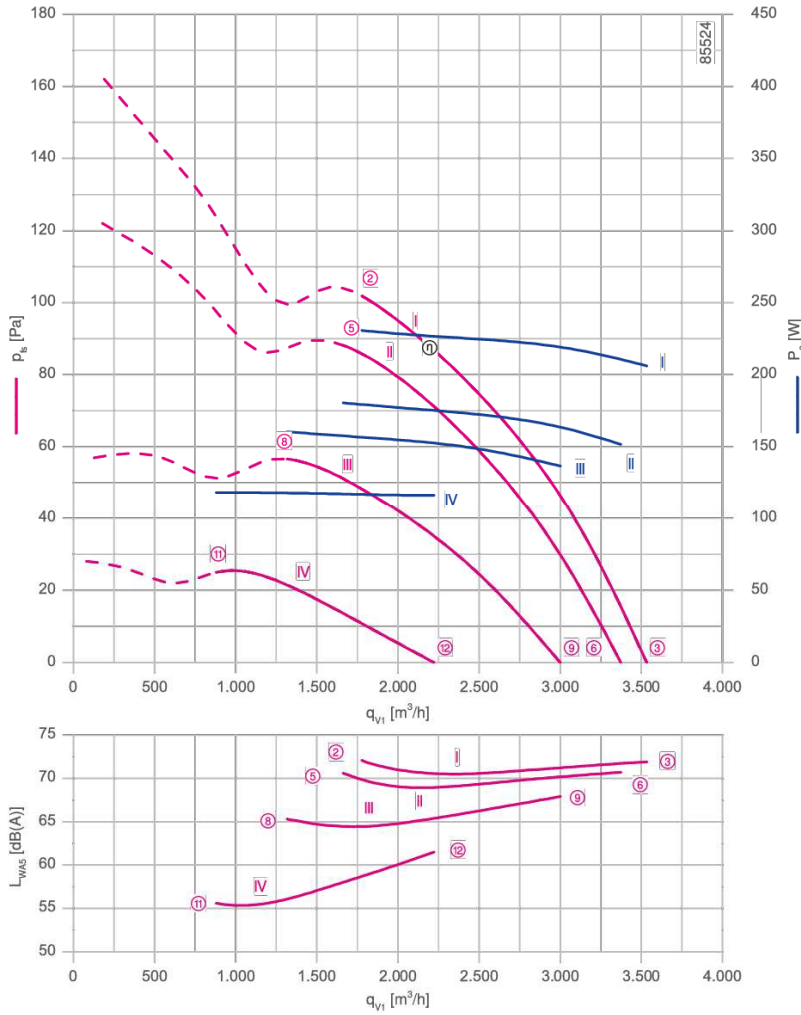
Article number	155883
Type	FN035-4EK.0F.V7P2
Designation	Axial fan with sickle blades
Rated values	1~230V±10% 50Hz P <sub>1</sub> 230W 1.05A ΔI=15% 1410/min 6.0uF/400V 70°C 1~230V±10% 60Hz P <sub>1</sub> 340W 1,50A ΔI=5% 1600/min 6,0uF/400V 50°C
Electrical connection	Terminal box K05
Min. operating temperature °C	-25***
Mounting type terminal box	Mounted on Stator
Type of protection	IP54
Thermal class	THCL155
Connection diagram	1360-104XA
Rating plate	1x fixed
Fitting position	H/Vu/Vo
Motor protection	thermal contact
Impregnation	Moisture and hot climate protection
Quality of bearings	ball bearing with long-time lubrication
Material Rotor	Aluminium
Painting rotor	Rotor 1 coat painted
colour rotor	RAL 9005 (jet black)
Material blades	High Performance Composite Material
Painting impeller	unpainted
Colour blades	black
Guard grille type	ring grill
Control	--
Painting mot.suspens	Motor suspension powder-coated consistency class 2
colour suspension	RAL 9005 (jet black)
Weight kg	5,30
ErP Data	Efficiency $\eta_{statA}$ : 25,8 % Efficiency grade: $N_{actual} = 36,2 / N_{target} = 36^*$ *ErP 2013* Does not comply with the stipulations of the ErP regulations

\*\*\* Occasional operation  $\leq -20^{\circ}\text{C}$  and in consideration of lowest temperature according to product documentation permissible. For cooling applications with continuous operation  $\leq -20^{\circ}\text{C}$  cold design on request.

## 2. Characteristic curve

### Characteristic curve

Frequency: 50 Hz



Operating point	②	③	⑤	⑥	⑧	⑨	⑪	⑫	
Characteristic curve	I	I	II	II	III	III	IV	IV	
Connection	L	L	L	L	L	L	L	L	
Voltage	V	230	230	170	170	135	135	110	110
Input power	W	230	210	180	150	160	140	120	120
Current	A	1,05	0,98	1,05	0,90	1,20	1,00	1,15	1,10
Speed	$min^{-1}$	1410	1430	1310	1360	1040	1220	700	900
Suction side sound power level	dB(A)	72	72	71	71	65	68	56	62

### Characteristic curve

Frequency: 50 Hz

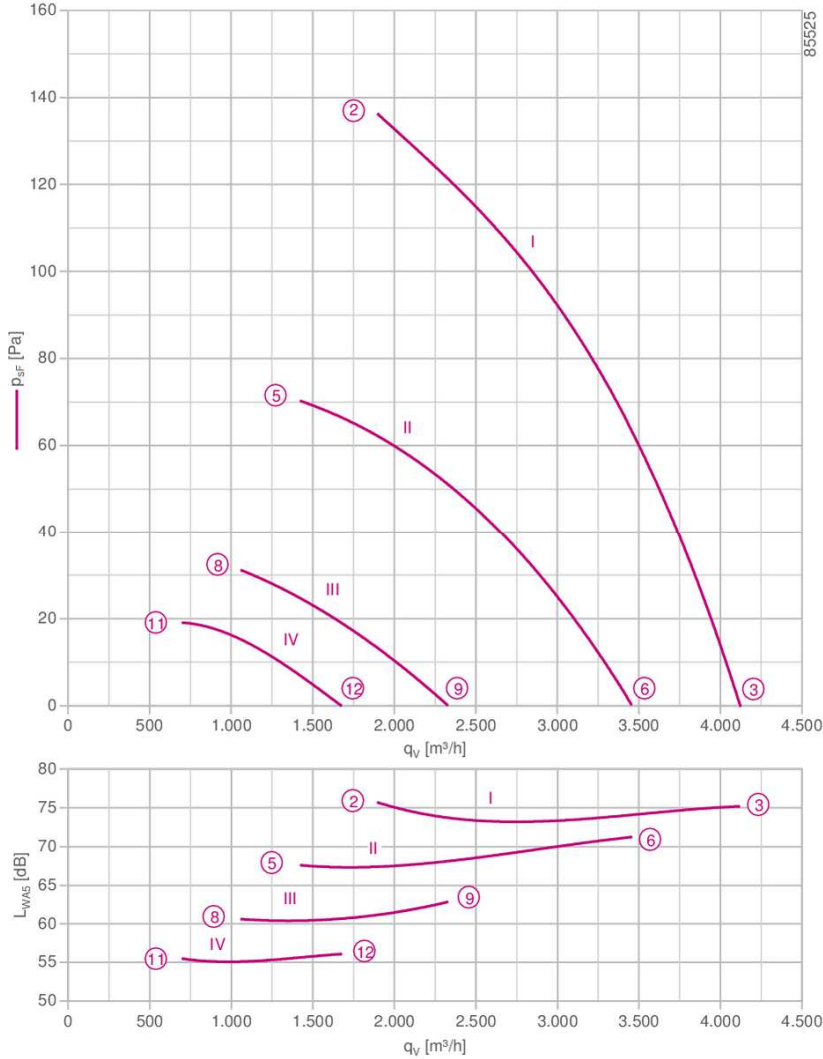
Measured in short bell mouth with guard grille

Operating point	①	②	③	④	⑤	⑥	⑦	⑧	⑨	⑩	⑪	⑫
Characteristic curve	I	I	I	II	II	II	III	III	III	IV	IV	IV
Connection	L	L	L	L	L	L	L	L	L	L	L	L
Voltage V	231	231	231	170	171	171	136	135	137	111	111	110
Input power W	290	240	210	240	190	160	180	160	150	120	120	120
Current A	1,30	1,10	1,00	1,45	1,10	0,96	1,40	1,25	1,10	1,20	1,15	1,10
Speed min <sup>-1</sup>	1350	1400	1420	1110	1290	1350	740	1000	1170	530	690	810
Suction side sound power level dB(A)	79	72	70	74	69	67	64	63	64	57	55	56

### Characteristic curve

Frequency: 60 Hz

Measured in full nozzle without guard grille in installation type A according to ISO 5801.



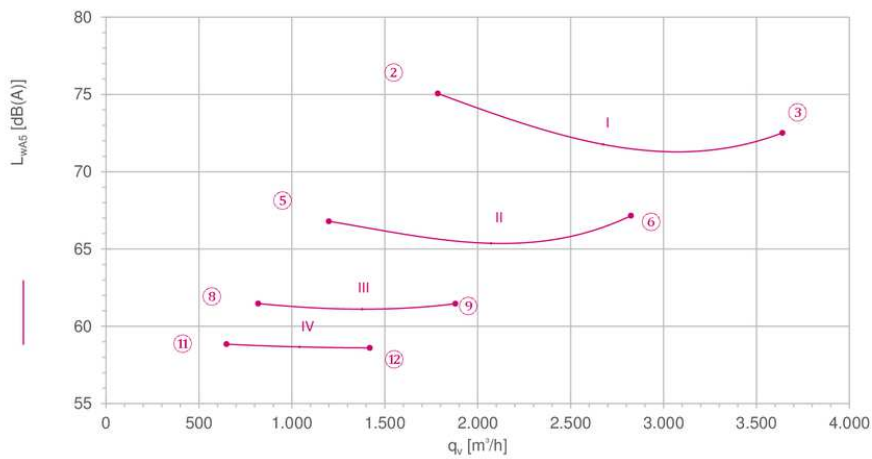
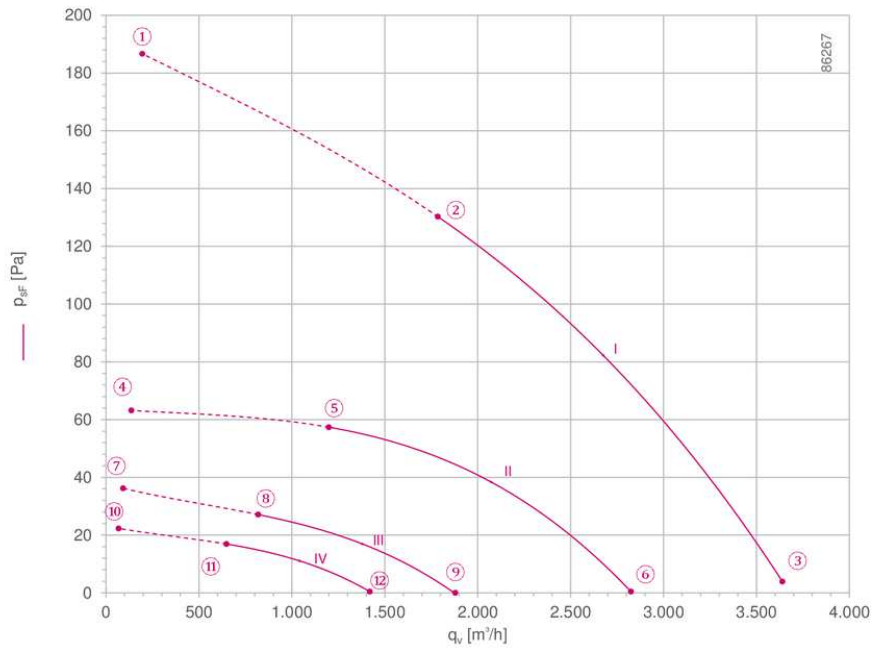
I = 1~230 V L, II = 1~170 V L, III = 1~135 V L, IV = 1~110 V L

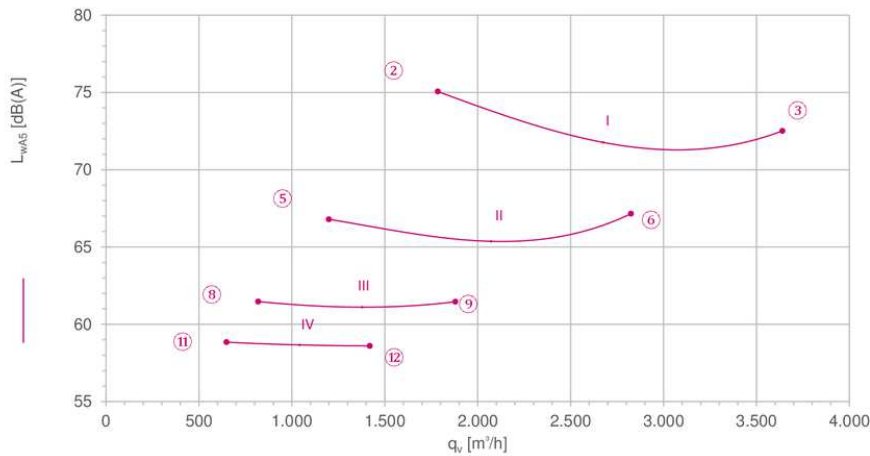
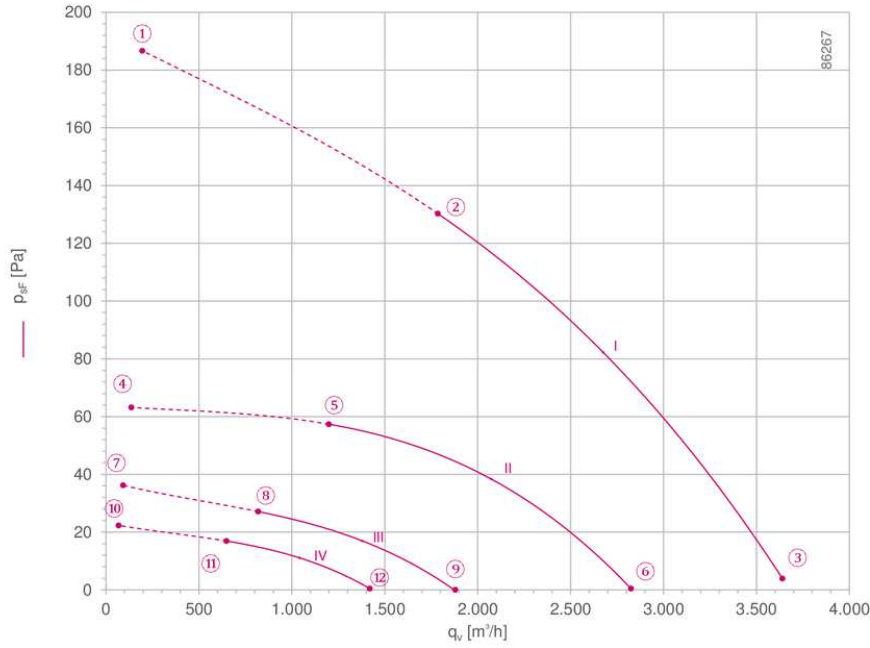
Operating point		①	②	③	④	⑤	⑥	⑦	⑧	⑨	⑩	⑪	⑫
Characteristic curve		I	I	I	II	II	II	III	III	III	IV	IV	IV
Connection		L	L	L	L	L	L	L	L	L	L	L	L
Voltage	V	230	230	230	170	170	170	135	135	135	110	110	110
Input power	W	400	340	290	270	260	230	180	170	170	120	120	120
Current	A	1,75	1,50	1,30	1,65	1,55	1,35	1,35	1,30	1,30	1,10	1,10	1,10
Speed	min <sup>-1</sup>	1490	1600	1660	910	1150	1400	650	780	940	520	600	690

### Characteristic curve

Frequency: 60 Hz

Measured in short bell mouth with guard grille



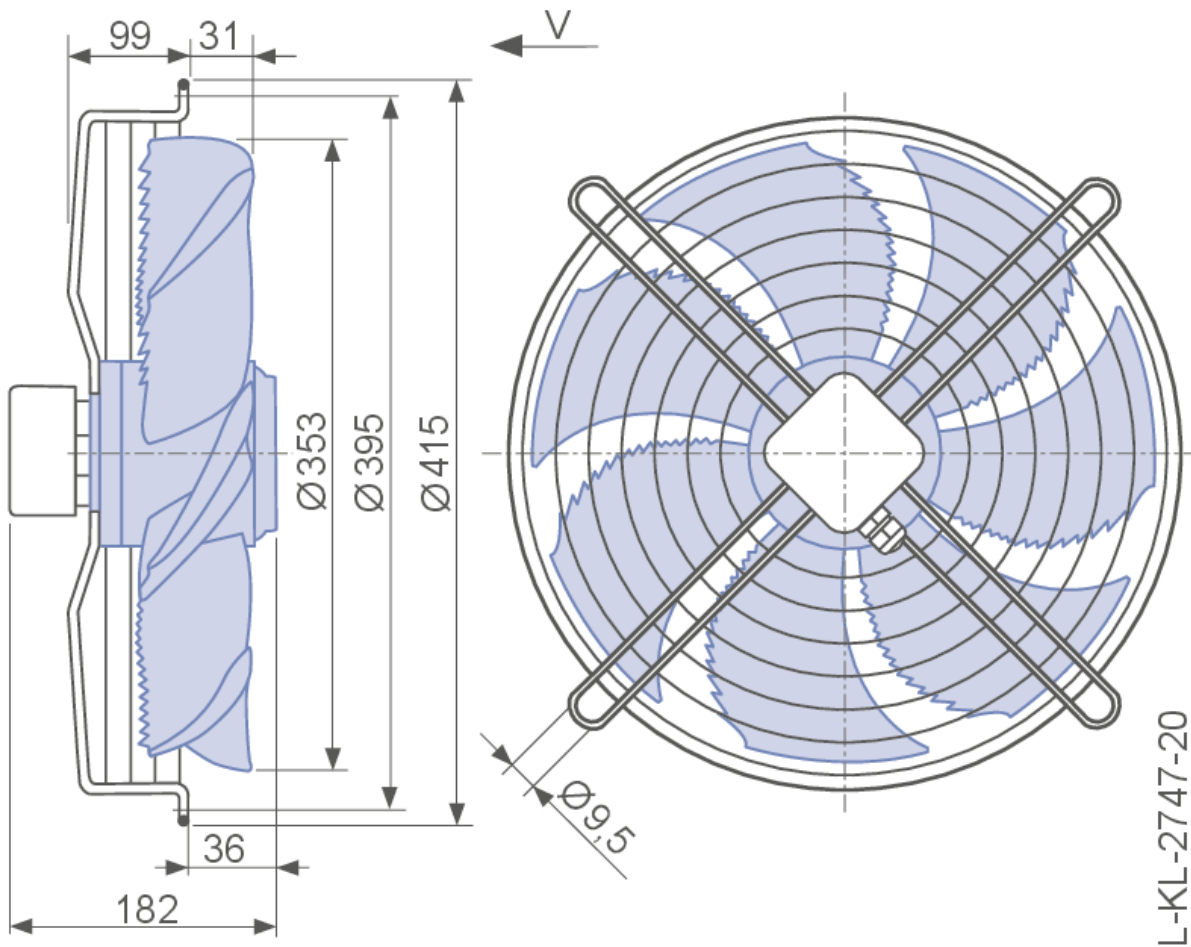


Operating point	①	②	③	④	⑤	⑥	⑦	⑧	⑨	⑩	⑪	⑫	
Characteristic curve	I	I	I	II	II	II	III	III	III	IV	IV	IV	
Connection	L	L	L	L	L	L	L	L	L	L	L	L	
Voltage	V	231	231	231	171	170	171	135	135	135	110	110	110
Input power	W	440	360	320	270	260	240	170	170	170	120	120	110
Current	A	1,90	1,55	1,40	1,65	1,55	1,45	1,35	1,30	1,30	1,10	1,10	1,10
Speed	min <sup>-1</sup>	1360	1570	1640	810	1070	1280	600	740	840	470	570	650
Suction side sound power	dB(A)	79	77	72	67	68	67	63	62	62	59	59	59

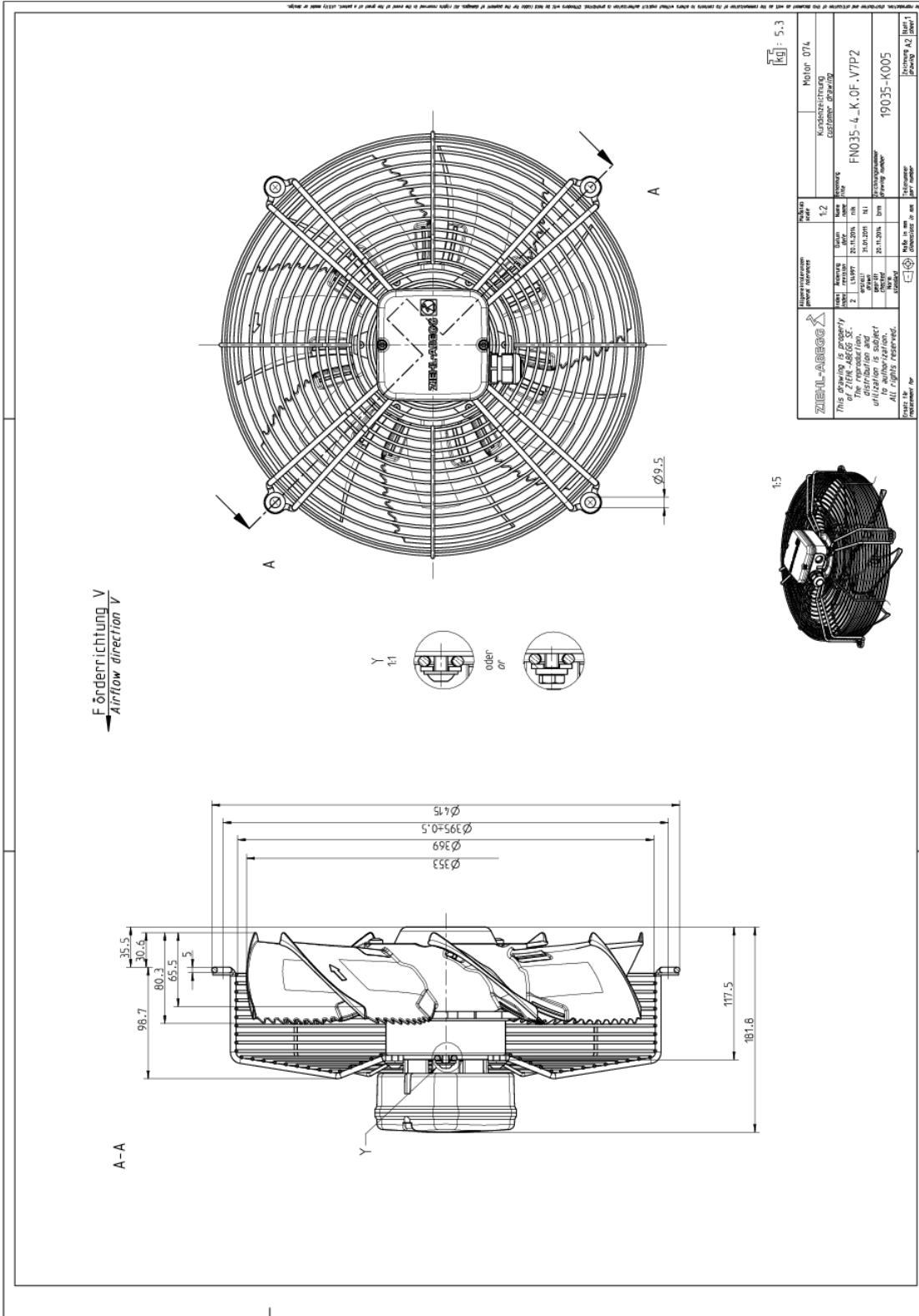


level

### 3. Drawing



# The Royal League Die Königsklasse



Dimensions in mm  
Shown drawing is just to show the dimensions of the fan.

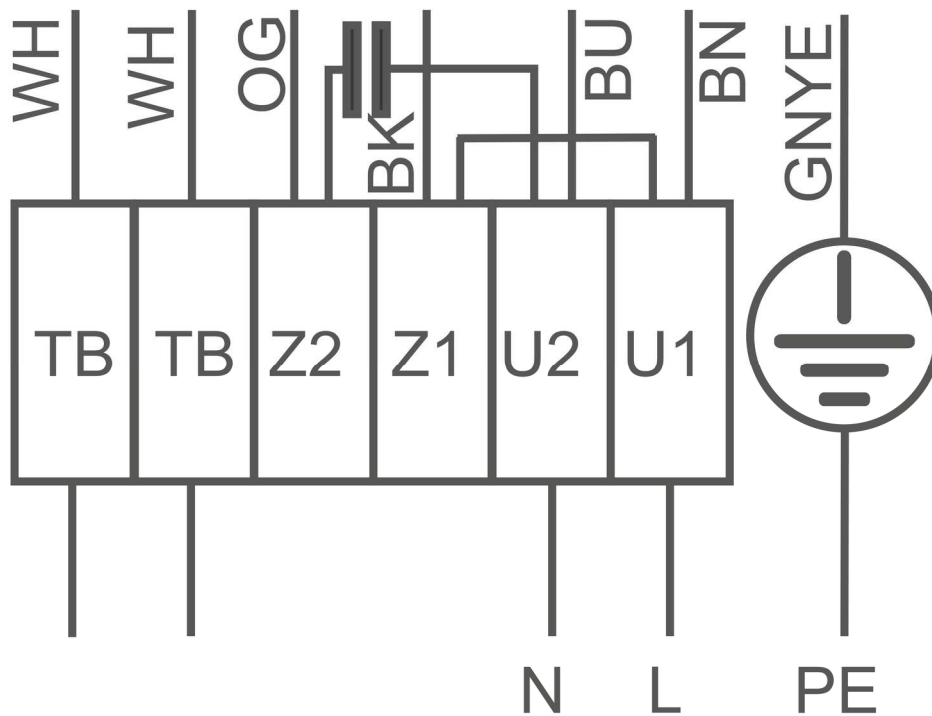
### 4. Connection diagram

1360-104XA

1~Motor with capacitor and thermostatic switch (if built in).

BN brown  
BU blue  
BK black  
OG orange  
WH white  
GNYE green-yellow

Clockwise rotation



## 5. EU-Declaration of conformity



The Royal League in ventilation, control and drive technology

## Intelligent control technology for any application

**ZIEHL-ABEGG system capabilities:**  
Everything from a single source – perfectly matched for optimal performance

Please contact us. We would be pleased to design an individual solution for your requirements.

We would like to welcome you on our worldwide exhibitions. Please find our next exhibitions [here](#).