

1


FN040-VDK.0F.V7P1 | 152907 | Portfolio STD-WW | FE2owlet AC

Technical Description FE2owlet

Range FN

Standard design with AC-motor

- Profiled, sickle shaped blades designed with bionical know how
- Sizes 310 ... 800 mm (in 9 standard sizes)
- Optimized for full bell mouth
- 100% speed controllable
- ZIEHL-ABEGG FE2owlet fans can be used from -40°C* up to 70°C.

Mains voltage:

- 3~ zweitourig 400 V ±10% D/Y
- 3~ zweitourig 400/460 V ±10% D/Y

Frequenz:

- 50 Hz
- 60 Hz

Thermal class:

- THCL 155

Protection:

- IP54

Motor protection:

- Thermostat relay (TB)

Material of impeller:

- Aluminium die-cast

Painting:

- Fan in color RAL 9005 deep black
- Wall ring plate and suspension in color RAL 9005 deep black

On request:

- Different paintings
- Fan designs

***Continuous operation with occasional starts (S1) according to DIN EN 60034-1: 2011-02. Occasional starting between -35 ° C and -25 ° C is permissible. Permanent operation below -25 ° C only possible with special bearings for refrigeration applications on request.**



fan data

19.12.2022

version FANselect V 1.01 (221219), AMCA V 1.03 September, 2021
RLT V 1.00 Dezember, 2021 / 1.22.12.19 | 53567 | (user ZAFS43567)



type	FN040-VDK.0F.V7P1
article no.	152907 Portfolio STD-WW

technical data

motor		AC
mains supply	-	3~ 400V 50Hz Y
nominal current (I_N)	A	0.46
ambient temperature, max. limit (t_r)	°C	70
efficiency grade η_{statA}	%	33,2
efficiency grade N_{actual} N_{target}		43,6 40
ErP-conformity		2015
grille influence		pressure side measured

fan data

SFP-class SFP-value (P_{SFP})	- Ws/m^3	1 233
airflow volume (q_v)	m^3/h	3258
pressure, stat. (p_{sF}) tot. (p_F)	Pa	50 80
electrical power input (P_1)	W	211
efficiency grade, stat. (η_{sF}) tot. (η_F)	%	21.3 34.3
fan speed (n) max. (n_{max})	1/min	1380 -
frequency (f_{DP}) (f_{max})	Hz	50 60
voltage (U_{DP})	V	400
current (I_{DP})	A	0.44
acoustics, suction side ($L_{w(A),5}$) ($L_{w,5}$)	dB	66 70
acoustics, pressure side ($L_{w(A),6}$) ($L_{w,6}$)	dB	69 72
product weight (m_{pr})	kg	5.5

PF:PF_50; Ano:152907; STol:+-10 %



performance curve / acoustics

19.12.2022

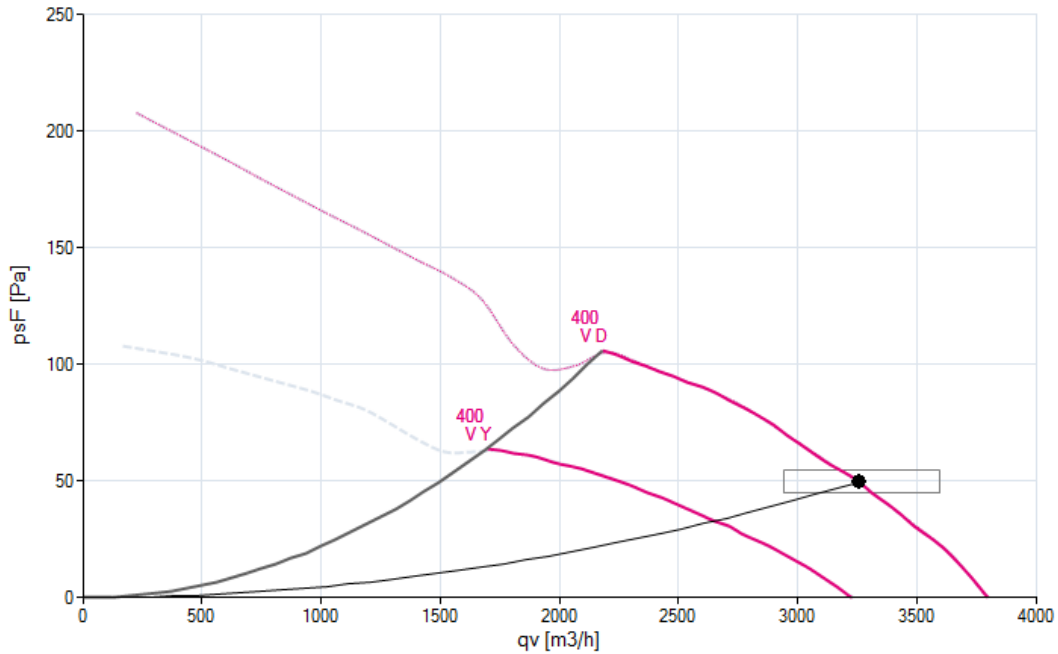
Version FANselect V 1.01 (221219), AMCA V 1.03 September, 2021
 RLT V 1.00 Dezember, 2021 / 1.22.12.19 | 53567 | (user ZAFS43567)

1 FN040-VDK.0F.V7P1

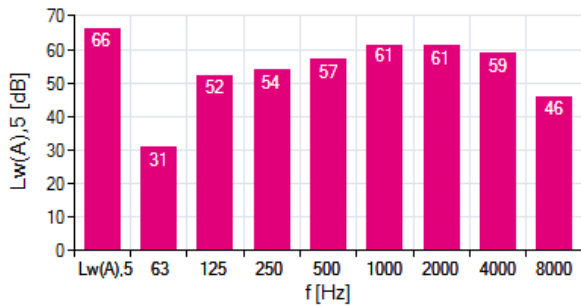
Measured in short nozzle with pressure side guard grille in air flow direction V in installation type A according to ISO5801

152907 | Portfolio STD-WW measurement density 1.16 [kg/m³]

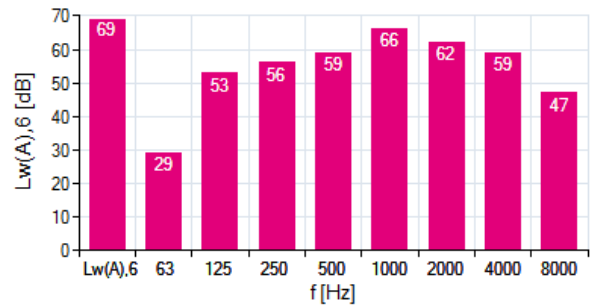
air performance p_{sF}



acoustics ($L_{w(A),5}$)



acoustics ($L_{w(A),6}$)



1 FN040-VDK.0F.V7P1

f [Hz]	sum	63	125	250	500	1000	2000	4000	8000
$L_{w(A),5}$	66	31	52	54	57	61	61	59	46
$L_{w,5}$	70	56	66	61	60	61	59	58	46

f [Hz]	sum	63	125	250	500	1000	2000	4000	8000
$L_{w(A),6}$	69	29	53	56	59	66	62	59	47
$L_{w,6}$	72	55	66	63	62	66	61	58	47

FANselect



efficiency grade / power input

19.12.2022

Version FANselect V 1.01 (221219), AMCA V 1.03 September, 2021
 RLT V 1.00 Dezember, 2021 / 1.22.12.19 | 53567 | (user ZAFS43567)

1

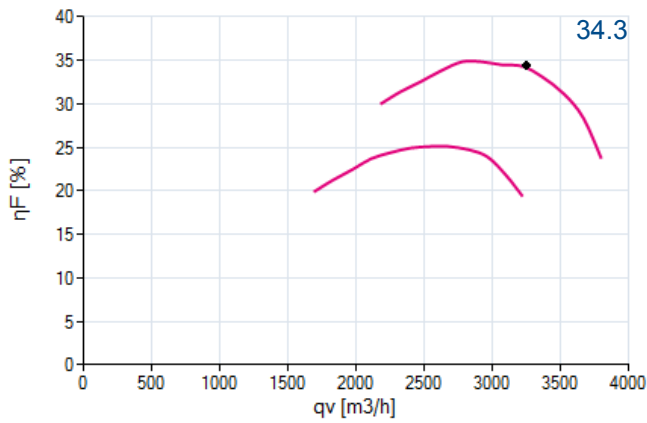
FN040-VDK.0F.V7P1

Measured in short nozzle with pressure side guard grille in air flow direction V in installation type A according to ISO5801

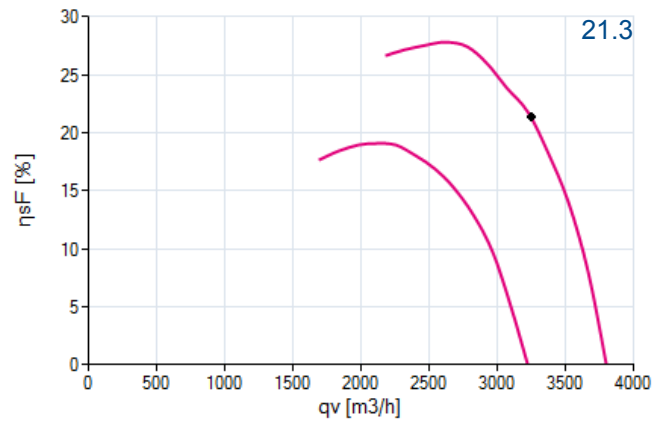
152907 | Portfolio STD-WW

measurement density 1.16 [kg/m³]

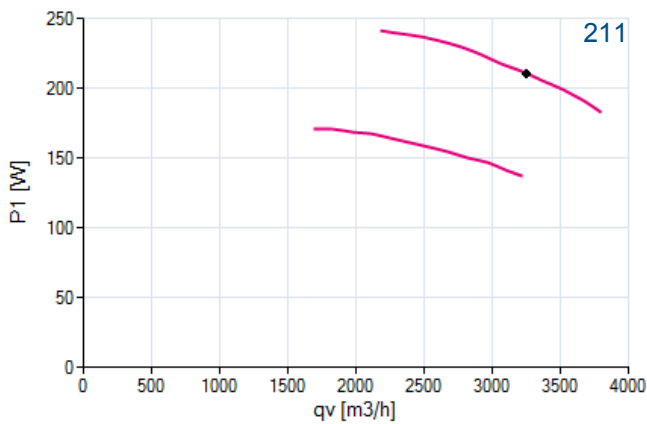
efficiency grade η_F



efficiency grade η_{sF}



power input P_1





FANselect

nominal values

19.12.2022

version FANselect V 1.01 (221219), AMCA V 1.03 September, 2021
RLT V 1.00 Dezember, 2021 / 1.22.12.19 | 53567 | (user ZAFS43567)

1



FN040-VDK.0F.V7P1

152907

3~ 400V +10/-10 D/Y 50Hz P1 0.23/0.17kW P2 0.17/0.08kW
 0.46/0.27A DI=0% 1360/1080/MIN COSY 0.73 70°C
 3~ 400V +10/-10 D/Y 60Hz P1 0.35/0.20kW P2 0.22/0.06kW
 0.57/0.32A DI=5% 1500/960/MIN COSY 0.87 60°C
 3~ 460V +10/-10 D/Y 60Hz P1 0.37/0.24kW P2 0.26/0.09kW
 0.56/0.34A DI=5% 1580/1110/MIN COSY 0.83 60°C
 IP54 THCL155

drawing

19.12.2022

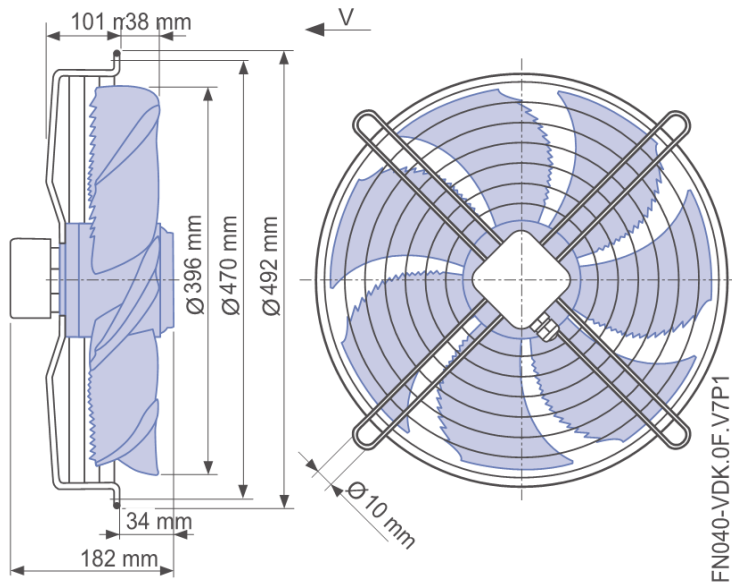
version FANselect V 1.01 (221219), AMCA V 1.03 September, 2021
RLT V 1.00 Dezember, 2021 / 1.22.12.19 | 53567 | (user ZAFS43567)

1



FN040-VDK.0F.V7P1

152907



wiring diagram

19.12.2022

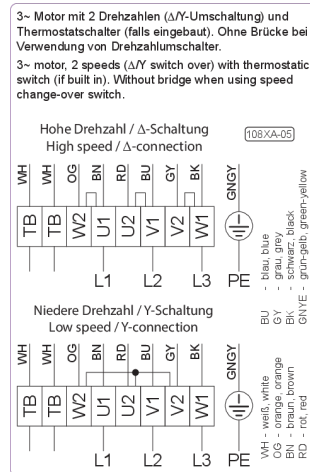
version FANselect V 1.01 (221219), AMCA V 1.03 September, 2021
RLT V 1.00 Dezember, 2021 / 1.22.12.19 | 53567 | (user ZAFS43567)

1



FN040-VDK.0F.V7P1

152907



FANselect



system components

19.12.2022

Version FANselect V 1.01 (221219), AMCA V 1.03 September, 2021
RLT V 1.00 Dezember, 2021 / 1.22.12.19 | 53567 | (user ZAFS43567)



type	FN040-VDK.0F.V7P1
article no.	152907