

Movement by Perfection



The Royal League in **ventilation**, control and drive technology



产品资料

类型
FN045-VDK.2F.V7P2

产品编号
152824

产品编号
152824

The Royal League Die Königsklasse

类型
FN045-VDK.2F.V7P2

产品编号
152824



目录

1.	产品说明	3
2.	特征曲线	4
3.	图纸	6
4.	安装接线图	8
5.	EU-Declaration of conformity	9

1. 产品说明

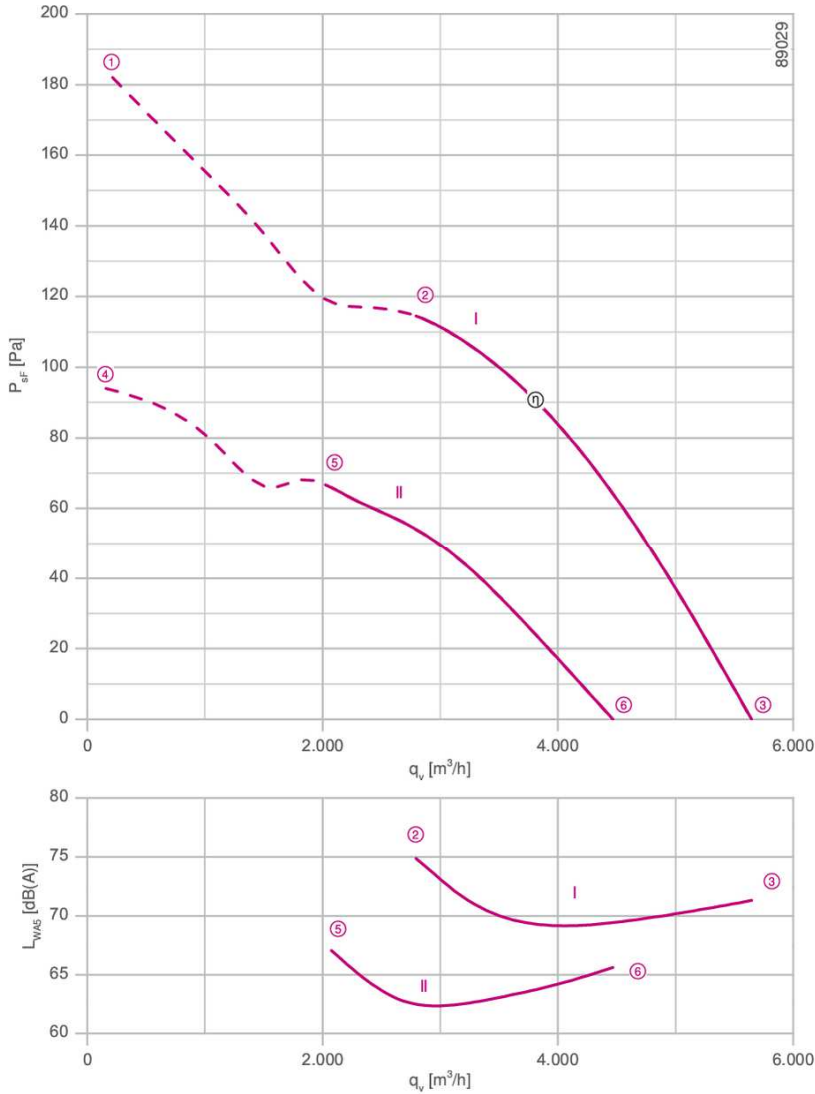
技术数据

产品编号	152824
类型	FN045-VDK.2F.V7P2
名称	Axial fan with sickle blades
测量数据	3~400V±10% D/Y 50Hz P ₁ 0,35/0,22kW 0,64/ 0,35A ΔI=0% 1280/ 970/min COSY 0,79 70°C 3~400V±10% D/Y 60Hz P ₁ 0,49/0,25kW 0,79/ 0,40A ΔI=0% 1350/ 880/min COSY 0,89 65°C 3~460V±10% D/Y 60Hz P ₁ 0,55/0,31kW 0,80/ 0,42A ΔI=0% 1450/1000/min COSY 0,87 60°C
电气接口	Terminal box K05
最低运行温度°C	-40
接线盒安装方式	Mounted on Stator
防护等级	IP54
耐热等级	THCL155
接线图	1360-108XA
铭牌	1x fixed
安装位置	H/Vu/Vo
电机防护	thermal contact
浸渍	Moisture and hot climate protection
轴承质量	ball bearing with long-time lubrication
转子材料	Aluminium
转子喷漆	Rotor 1 coat painted
转子颜色	RAL 9005 (jet black)
叶片材料	High Performance Composite Material
叶片喷漆	unpainted
叶片颜色	black
防护网罩类型	ring grill
Control	--
马达支架喷漆	Motor suspension powder-coated consistency class 2
colour suspension	RAL 9005 (jet black)
重量kg	6,60
ERP数据	Efficiency η_{statA} : 30,8 % Efficiency grade: $N_{actual} = 40,1 / N_{target} = 40^*$ Frequency inverter required *ErP 2015

2. 特征曲线

Characteristic curve

Frequency: 50 Hz

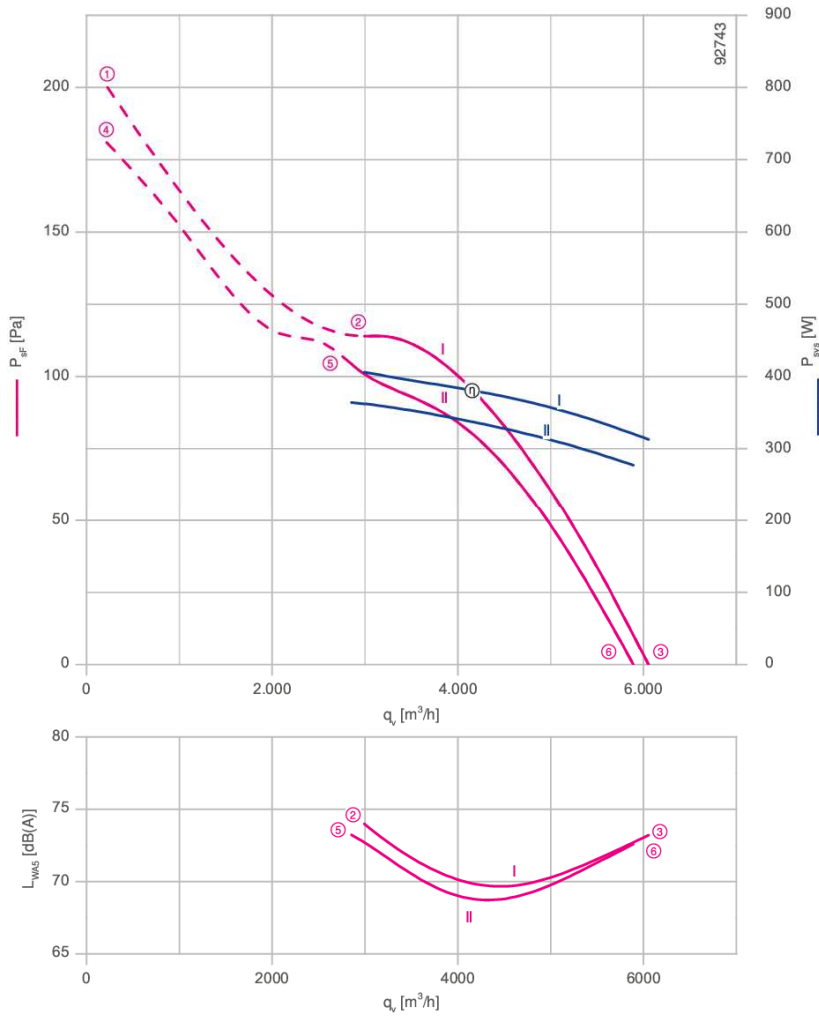


工作点		①	②	③	④	⑤	⑥
特性曲线		I	I	I	II	II	II
接线方式		Δ	Δ	Δ	Y	Y	Y
电压	V	400	400	400	400	400	400
电机输入功率	W	440	350	290	250	220	200
电流	A	0,74	0,64	0,58	0,40	0,35	0,31
转速	min ⁻¹	1220	1280	1330	870	970	1060

Characteristic curve

Frequency: 50 Hz

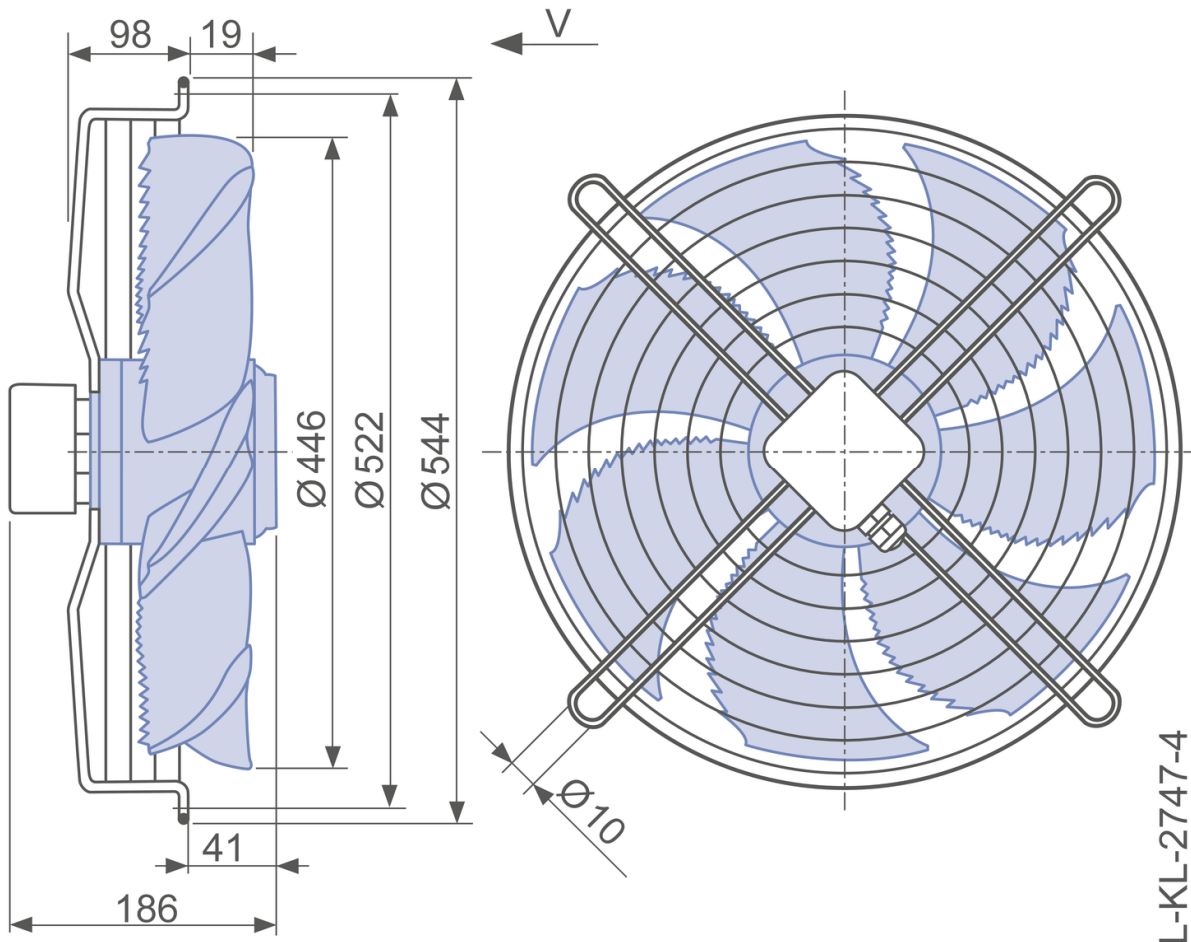
测量是在附带接触保护的全喷嘴中进行的



I = 3~460 V Y, II = 3~400 V Y

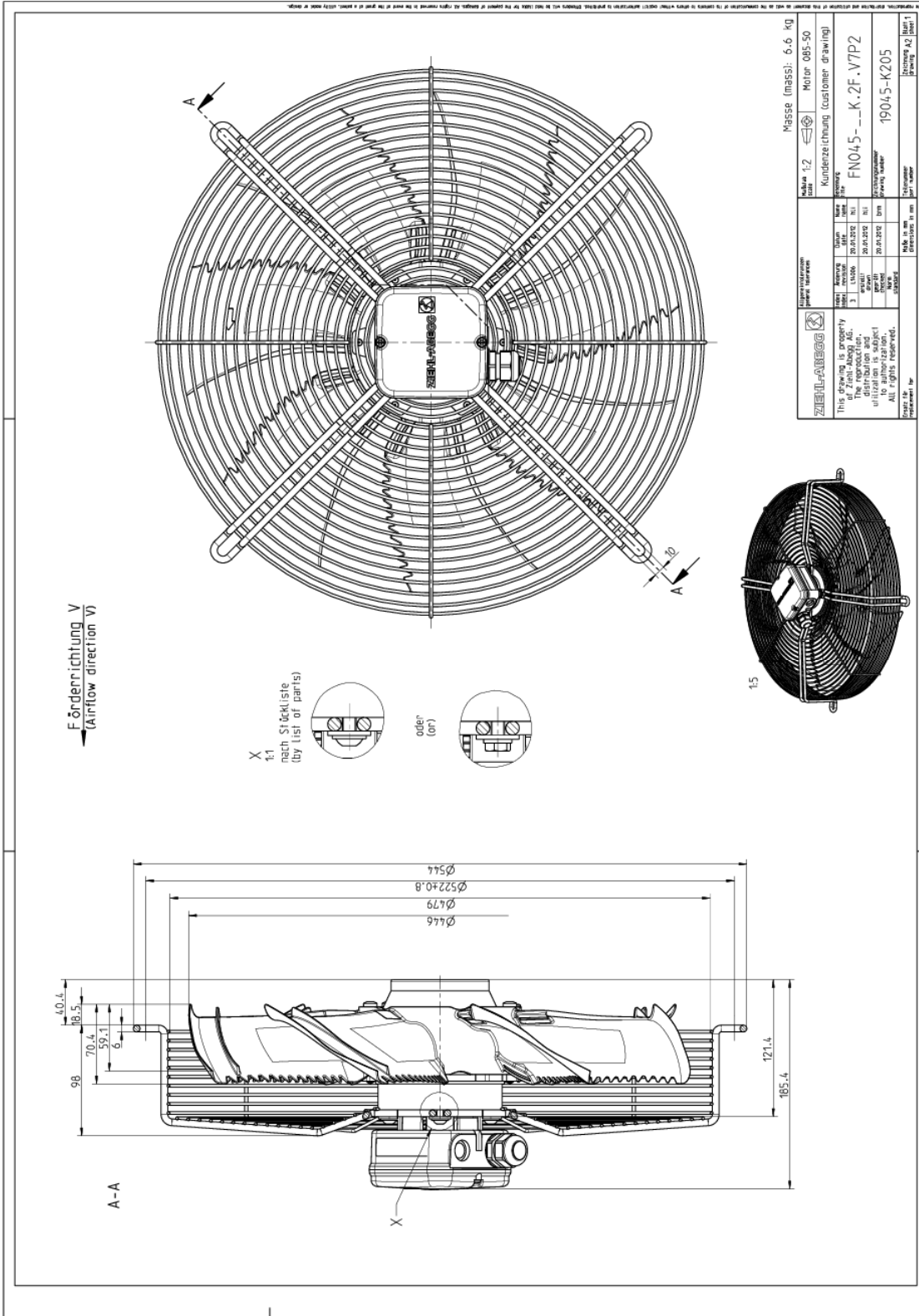
工作点		①	②	③	④	⑤	⑥
特性曲线		I	I	I	II	II	II
接线方式		Y	Y	Y	Y	Y	Y
电压	V	460	460	460	400	400	400
电机输入功率	W	500	400	310	440	360	280
电流	A	0,80	0,74	0,70	0,74	0,66	0,58
转速	min^{-1}	1260	1310	1370	1200	1260	1330
吸入侧声功率级	dB(A)	81	74	73	79	73	73

3. 图纸



产品编号
152824

The Royal League Die Königsklasse



尺寸(mm)
所示附图是为了表明风扇的尺寸。

www.ziehl-abegg.com
11.09.2018 14:24:42

Movement by Perfection | Bewegung durch Perfektion

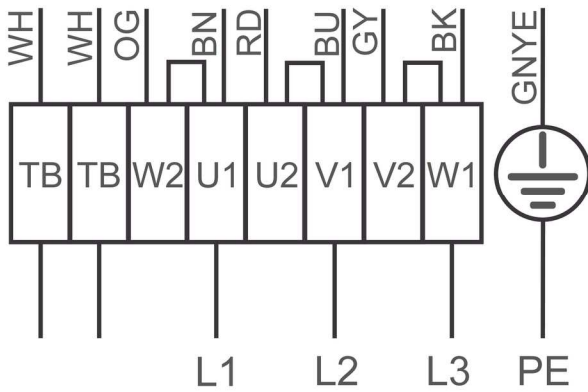
4. 安装接线图

1360-108XA

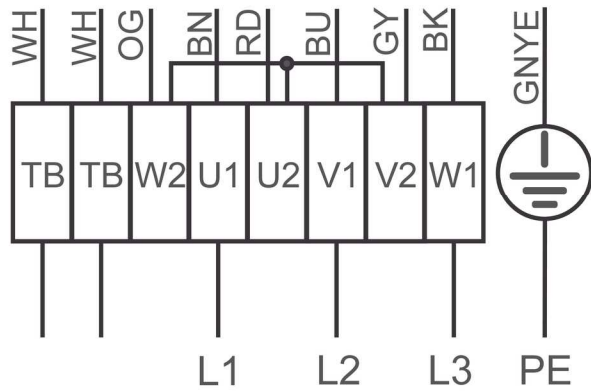
3~ motor, 2 speeds (Δ/Y switch over) with thermostatic switch (if built in). Without bridge when using speed change-over switch.

- BN brown
- BU blue
- BK black
- RD red
- GY grey
- OG orange
- WH white
- GNYE green-yellow

High speed/D-connection



Low speed/Y-connection



5. EU-Declaration of conformity

EC-Declaration of conformity

- Translation -
(english)
ZA75-GB 1616 Index 011
00285644-GB

Manufacturer:
ZIEHL-ABEGG SE
Heinz-Ziehl-Straße
74653 Künzelsau
Germany

The manufacturer is solely responsible for issuance of the declaration of conformity.

The products:

- External rotor motor MK.., MW..
- Axial fan FA.., FB.., FC.., FE.., FF.., FS.., FT.., FH.., FL.., FN.., FV.., DN.., VR.., VN.., ZC.., ZF.., ZN..
- Centrifugal fan RA.., RD.., RE.., RF.., RG.., RH.., RK.., RM.., RR.., RZ.., GR.., ER..
- Cross-flow fan QK.., QR.., QT.., QG..

The engine type:

- Asynchronous internal or external rotor motor
- Asynchronous internal or external rotor motor with integrated frequency inverter, except EDP system
- Electronically commutated (EC) internal or external rotor motor
- Electronically commutated internal or external rotor motor with integrated EC Controller, except EDP system

These products comply with the following EU directives:

- EMC Directive 2014/30/EU
- Low voltage directive 2014/35/EU
- ErP Directive 2009/125/EC, in conjunction with Regulation (EU) no. 327/2011

The following harmonized standards are in use:

EN 60034-1:2010 + Cor.:2010 EN 61000-6-3:2007 + A1:2011 + AC:2012
 EN 60204-1:2006 + A1:2009 + AC:2010 EN 61000-6-2:2005 + AC:2005
 EN 60529:1991 + A1:2000 + A2:2013

Compliance with the ErP Directive 2009/125/EC does not refer to external rotor motors MK.., MW..

All ErP-relevant information comprises measurements which are determined using a standardised measurement set-up. More details can be obtained from the manufacturer.

Compliance with the EMC Directive 2014/30 / EU refers only to those products when they are connected by mounting / operating instructions . If these products are integrated into a system or supplemented with other components (eg. sensing controls) and operated , the manufacturer or operator is responsible of the overall system for compliance with the EMC Directive 2014/30 / EU .

Künzelsau, 20.04.2016
(Location, date of issue)

ZIEHL-ABEGG SE
Dr. W. Angelis
Technical Director Air Movement Division
(Name, Function)

(Signature)





The Royal League in ventilation, control and drive technology

Intelligent control technology for any application

ZIEHL-ABEGG system capabilities:
Everything from a single source – perfectly matched for optimal performance

Please contact us. We would be pleased to design an individual solution for your requirements.

We would like to welcome you on our worldwide exhibitions. Please find our next exhibitions [here](#).